

# JVC

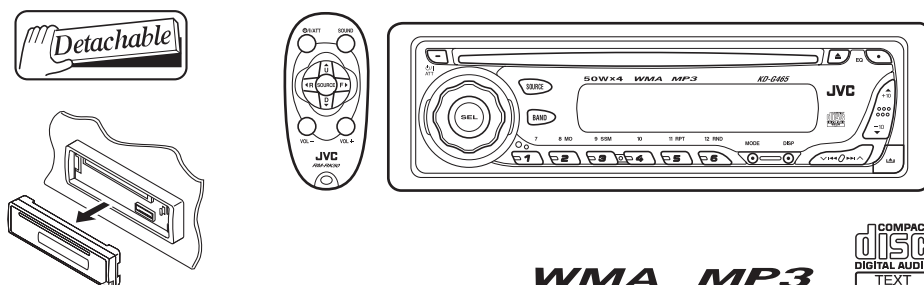
## SERVICE MANUAL

### CD RECEIVER

# KD-G465

#### Area suffix

UT ----- Taiwan  
UH ----- Thailand  
UN ----- Indonesia  
U ----- Other Areas



### TABLE OF CONTENTS

1	PRECAUTIONS .....	1-3
2	SPECIFIC SERVICE INSTRUCTIONS .....	1-6
3	DISASSEMBLY .....	1-7
4	ADJUSTMENT .....	1-25
5	TROUBLESHOOTING .....	1-26

# SPECIFICATION

## AUDIO AMPLIFIER SECTION

Maximum Power Output	Front	50 W per channel
	Rear	50 W per channel
Continuous Power Output (RMS)	Front	19 W per channel into 4 $\Omega$ , 40 Hz to 20 000 Hz at no more than 0.8% total harmonic distortion.
	Rear	19 W per channel into 4 $\Omega$ , 40 Hz to 20 000 Hz at no more than 0.8% total harmonic distortion.
Load Impedance	4 $\Omega$ (4 $\Omega$ to 8 $\Omega$ allowance)	
Tone Control Range	Bass	$\pm$ 10 dB at 100 Hz
	Treble	$\pm$ 10 dB at 10 kHz
Frequency Response	40 Hz to 20 000 Hz	
Signal-to-Noise Ratio	70 dB	
Line-Out Level/Impedance	2.0 V/20 k $\Omega$ load (full scale)	
Output Impedance	1 k $\Omega$	
Other Terminals	CD changer	

## TUNER SECTION

Frequency Range	FM	87.5 MHz to 108.0 MHz
	AM	531 kHz to 1 602 kHz
FM Tuner	Usable Sensitivity	11.3 dBf (1.0 $\mu$ V/75 $\Omega$ )
	50 dB Quieting Sensitivity	16.3 dBf (1.8 $\mu$ V/75 $\Omega$ )
	Alternate Channel Selectivity (400 kHz)	65 dB
	Frequency Response	40 Hz to 15 000 Hz
	Stereo Separation	30 dB
	Capture Ratio	1.5 dB
AM Tuner	Sensitivity	20 $\mu$ V
	Selectivity	35 dB

## CD PLAYER SECTION

Type	Compact disc player	
Signal Detection System	Non-contact optical pickup (semiconductor laser)	
Number of channels	2 channels (stereo)	
Frequency Response	5 Hz to 20 000 Hz	
Dynamic Range	96 dB	
Signal-to-Noise Ratio	98 dB	
Wow and Flutter	Less than measurable limit	
MP3 decoding format	MPEG1/2 Audio Layer 3 Max. Bit Rate: 320 kbps	
WMA (Windows Media Audio) decoding format	Max. Bit Rate: 192 kbps	


## GENERAL


Power Requirement	Operating Voltage	DC 14.4 V (11 V to 16 V allowance)
Grounding System	Negative ground	
Allowable Operating Temperature	0°C to +40°C	
Dimensions (W $\times$ H $\times$ D)	Installation Size (approx.)	182 mm $\times$ 52 mm $\times$ 150 mm
	Panel Size (approx.)	188 mm $\times$ 58 mm $\times$ 11 mm
Mass (approx.)	1.4 kg (excluding accessories)	

- Design and specifications are subject to change without notice.
- Microsoft and Windows Media are either registered trademarks or trademarks of Microsoft Corporation in the United States and/or other countries.

# SECTION 1 PRECAUTIONS

## 1.1 Safety Precautions

 **CAUTION** Burrs formed during molding may be left over on some parts of the chassis. Therefore, pay attention to such burrs in the case of performing repair of this system.

 **CAUTION** Please use enough caution not to see the beam directly or touch it in case of an adjustment or operation check.

## 1.2 Preventing static electricity

Electrostatic discharge (ESD), which occurs when static electricity stored in the body, fabric, etc. is discharged, can destroy the laser diode in the traverse unit (optical pickup). Take care to prevent this when performing repairs.

### 1.2.1 Grounding to prevent damage by static electricity

Static electricity in the work area can destroy the optical pickup (laser diode) in devices such as CD players.

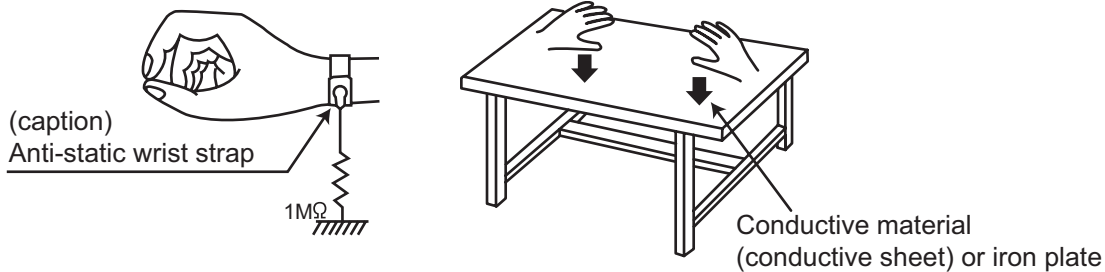
Be careful to use proper grounding in the area where repairs are being performed.

(1) Ground the workbench

Ground the workbench by laying conductive material (such as a conductive sheet) or an iron plate over it before placing the traverse unit (optical pickup) on it.

(2) Ground yourself

Use an anti-static wrist strap to release any static electricity built up in your body.



(3) Handling the optical pickup

- In order to maintain quality during transport and before installation, both sides of the laser diode on the replacement optical pickup are shorted. After replacement, return the shorted parts to their original condition. (Refer to the text.)
- Do not use a tester to check the condition of the laser diode in the optical pickup. The tester's internal power source can easily destroy the laser diode.

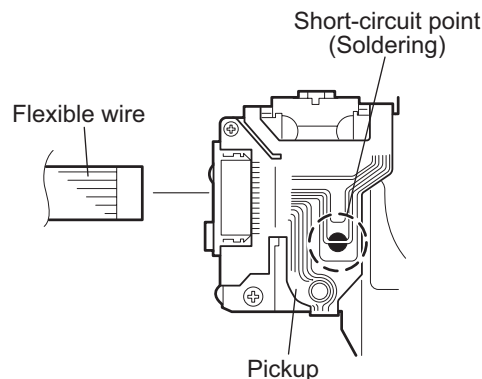
## 1.3 Handling the traverse unit (optical pickup)

- (1) Do not subject the traverse unit (optical pickup) to strong shocks, as it is a sensitive, complex unit.
- (2) Cut off the shorted part of the flexible cable using nippers, etc. after replacing the optical pickup. For specific details, refer to the replacement procedure in the text. Remove the anti-static pin when replacing the traverse unit. Be careful not to take too long a time when attaching it to the connector.
- (3) Handle the flexible cable carefully as it may break when subjected to strong force.
- (4) It is not possible to adjust the semi-fixed resistor that adjusts the laser power. Do not turn it.

## 1.4 Attention when traverse unit is decomposed

**\*Please refer to "Disassembly method" in the text for the CD pickup unit.**

- Apply solder to the short land before the flexible wire is disconnected from the connector on the CD pickup unit. (If the flexible wire is disconnected without applying solder, the CD pickup may be destroyed by static electricity.)
- In the assembly, be sure to remove solder from the short land after connecting the flexible wire.



**1.5 Important for laser products**

**1.CLASS 1 LASER PRODUCT**


**2.DANGER** : Invisible laser radiation when open and interlock failed or defeated. Avoid direct exposure to beam.

**3.CAUTION** : There are no serviceable parts inside the Laser Unit. Do not disassemble the Laser Unit. Replace the complete Laser Unit if it malfunctions.

**4.CAUTION** : The CD,MD and DVD player uses invisible laser radiation and is equipped with safety switches which prevent emission of radiation when the drawer is open and the safety interlocks have failed or are defeated. It is dangerous to defeat the safety switches.

**5.CAUTION** : If safety switches malfunction, the laser is able to function.

**6.CAUTION** : Use of controls, adjustments or performance of procedures other than those specified here in may result in hazardous radiation exposure.

 **CAUTION** Please use enough caution not to see the beam directly or touch it in case of an adjustment or operation check.

**CAUTION** : Visible and invisible laser radiation when open and interlock failed or defeated.  
AVOID DIRECT EXPOSURE TO BEAM.

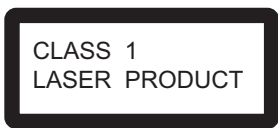
**ADVARSEL** : Synlig og usynlig laserstråling når maskinen er åben eller interlocken fejler. Undgå direkte eksponering til stråling.

**VARNING** : Synlig och osynlig laserstråling när den öppnas och spärren är urkopplad. Betrakta ej strålen.

**VARO** : Avattaessa ja suojalukitus ohitettuna tai viallisena olet alttiina näkyvälle ja näkymättömälle lasersäteilylle. Vältä säteen kohdistumista suoraan itseesi.

**REPRODUCTION AND POSITION OF LABELS**

**WARNING LABEL**



<b>CAUTION</b> : Visible and invisible laser radiation when open and interlock failed or defeated. AVOID DIRECT EXPOSURE TO BEAM. (e)	<b>ADVARSEL</b> : Synlig og usynlig laserstråling når maskinen er åben eller interlocken fejler. Undgå direkte eksponering til stråling. (d)	<b>VARNING</b> : Synlig och osynlig laserstråling när den öppnas och spärren är urkopplad. Betrakta ej strålen. (s)	<b>VARO</b> : Avattaessa ja suojalukitus ohitettuna tai viallisena olet alttiina näkyvälle ja näkymättömälle lasersäteilylle. Vältä säteen kohdistumista suoraan itseesi. (f)
---	--	---	---

# SECTION 2 SPECIFIC SERVICE INSTRUCTIONS

## 2.1 HOW TO IDENTIFY MODELS

### 2.1.1 NAME PLATE

**N835**

---

**JVC** DESTINATION U2

**CD RECEIVER**

**MODEL NO. KD-G465**

DC 12 V NEGATIVE GROUND

SERIAL NO.

Victor Company of Japan, Limited  
MADE IN INDONESIA

GE31618-002A

Discernment sign

**N835**

---

**JVC** DESTINATION U3

**CD RECEIVER**

**MODEL NO. KD-G465**

DC 12 V NEGATIVE GROUND

SERIAL NO.

Victor Company of Japan, Limited  
MADE IN INDONESIA

GE31618-003A

Discernment sign

## SECTION 3 DISASSEMBLY

### 3.1 Main body section

#### 3.1.1 Removing the front panel assembly (See Fig.1)

- (1) Push the detach button in the lower right part of the front panel assembly and remove the front panel assembly.

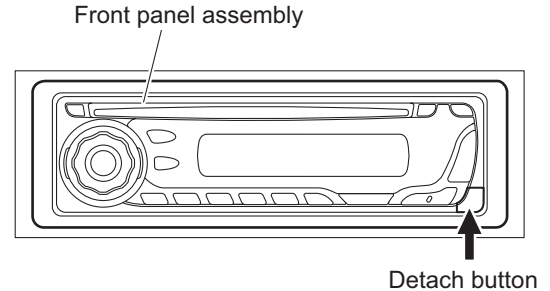


Fig.1

#### 3.1.2 Removing the bottom cover (See Fig.2)

- (1) Turn the main body up side down.
- (2) Insert a screwdriver under the joints to release the two joints **a** on the left side, two joints **b** on the right side and joint **c** on the back side of the main body, then remove the bottom cover from the main body.

**Note:**

When releasing the joints using a screwdriver, do not damage the main board.

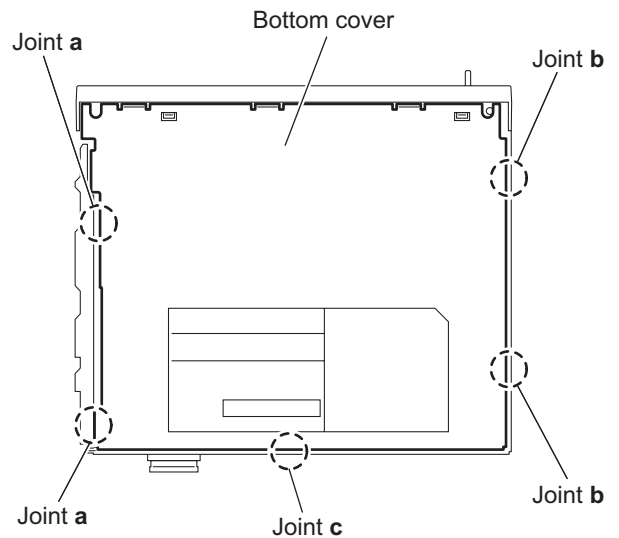


Fig.2

#### 3.1.3 Removing the front chassis assembly (See Fig.3)

- Prior to performing the following procedures, remove the front panel assembly and bottom cover.
- (1) Remove the two screws **A** on the both sides of the main body.
  - (2) Release the two joints **d** and two joints **e** on the both sides of the main body, then remove the front chassis assembly toward the front.

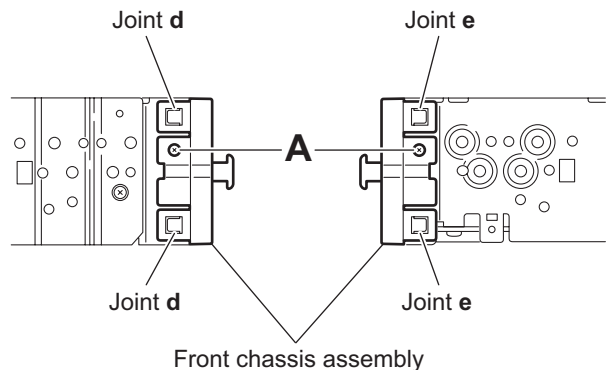


Fig.3

### 3.1.4 Removing the side panel (See Fig.4)

- Prior to performing the following procedure, remove the front panel assembly as required.
  - (1) Remove the screw **B** and two screws **C** attaching the side panel on the left side of the main body, and take out the side panel.

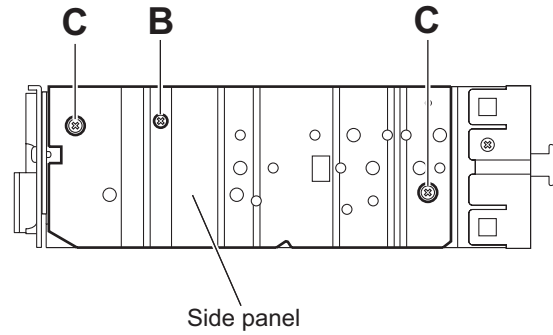


Fig.4

### 3.1.5 Removing the rear bracket (See Fig.5)

- Prior to performing the following procedure, remove the bottom cover.
  - (1) Remove the three screws **D**, three screws **E** and three screws **F** attaching the rear bracket on the back side of the main body.
  - (2) Take out the rear bracket.

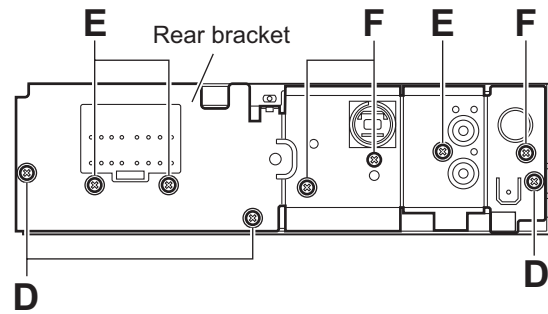


Fig.5

### 3.1.6 Removing the main board (See Fig.6)

- Prior to performing the following procedures, remove the front panel assembly, bottom cover, front chassis assembly, side panel and rear bracket.
  - (1) Remove the two screws **G** attaching the main board.
  - (2) Disconnect the connector [CN501](#) on the main board from the main body and take out the main board.

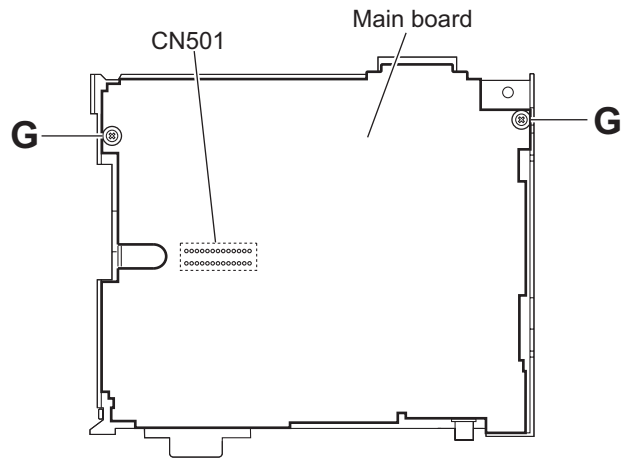


Fig.6



### 3.1.7 Removing the CD mechanism assembly (See Fig. 7)

- Prior to performing the following procedures, remove the front panel assembly, bottom cover, front chassis assembly, side panel, rear bracket and main board.
  - (1) Remove the three screws **H** attaching the CD mechanism assembly on the top chassis.
  - (2) Take out the CD mechanism assembly.

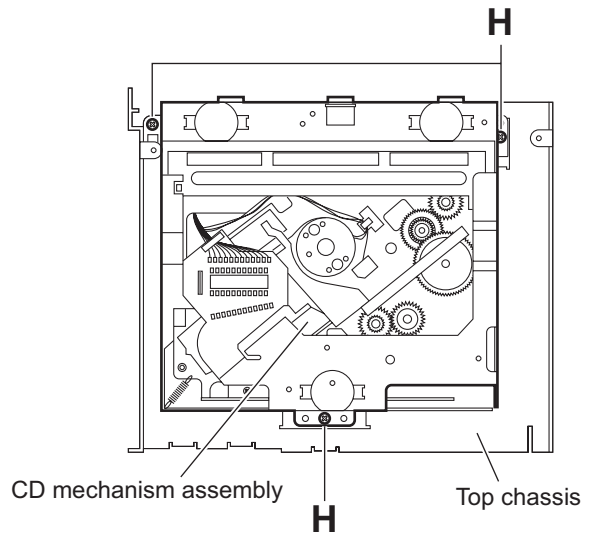


Fig.7

### 3.1.8 Removing the switch board (See Figs.8 to 10)

- Prior to performing the following procedures, remove the front panel assembly.
  - (1) Remove the four screws **J** on the back side of the front panel assembly. (See Fig.8)
  - (2) Release the ten joints **f** and remove the rear cover. (See Fig.9)
  - (3) Release the joint **g** and take out the switch board from the front panel assembly. (See Fig.10)

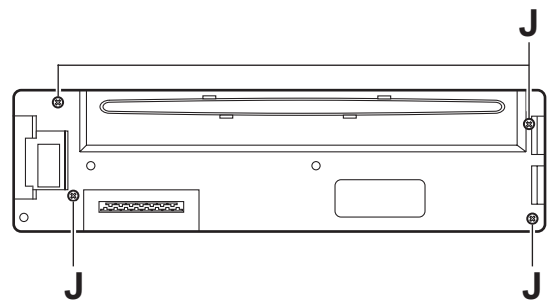


Fig.8

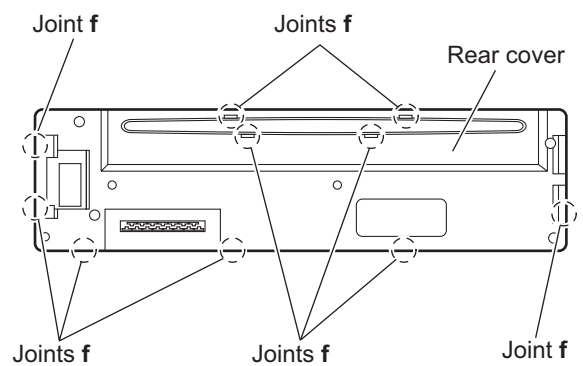


Fig.9

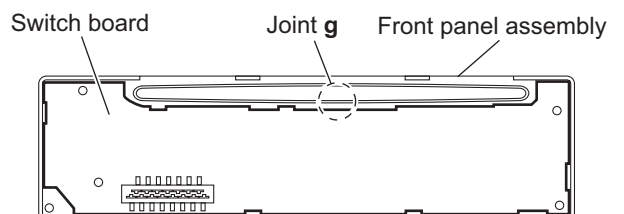


Fig.10

## 3.2 CD Mechanism Assembly

### 3.2.1 Removing the top cover (See Figs.1 and 2)

- (1) Remove the two screws **A** on the both side of the body.
- (2) Lift the front side of the top cover and move the top cover backward to release the two joints **a**.

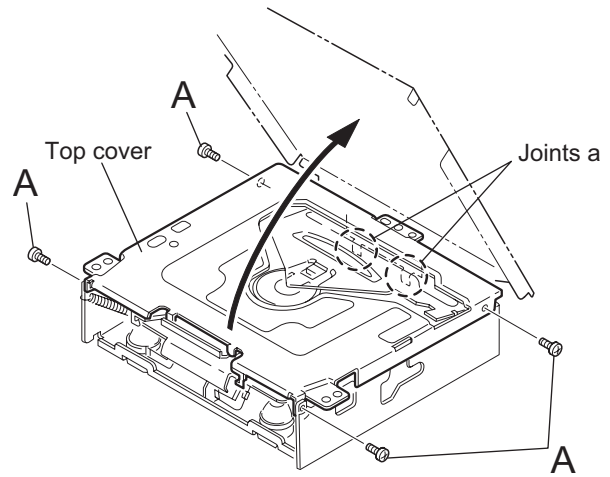


Fig.1

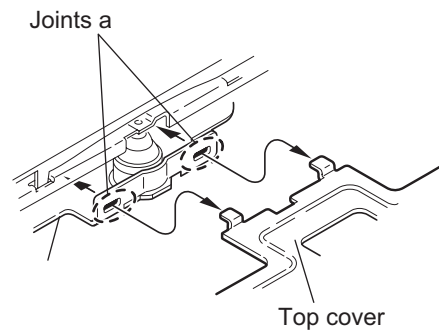


Fig.2

### 3.2.2 Removing the connector board (See Figs.3 to 5)

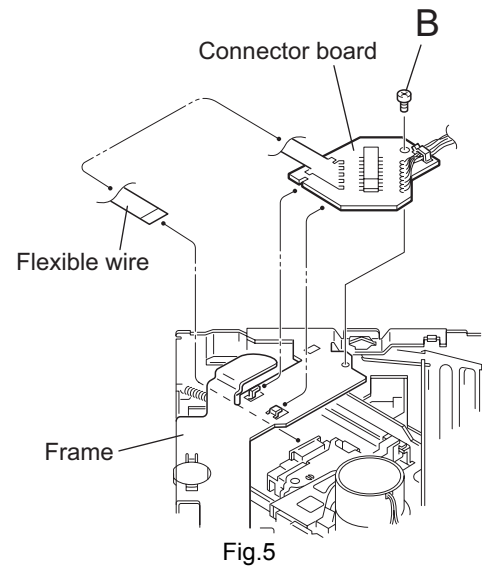
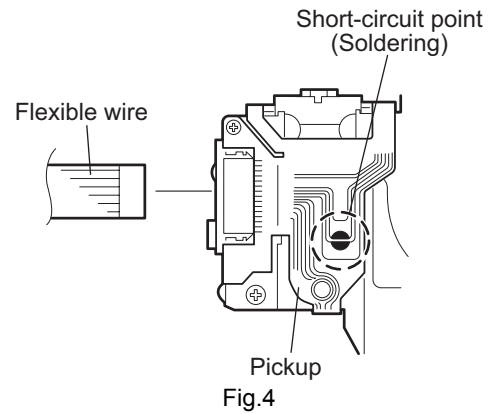
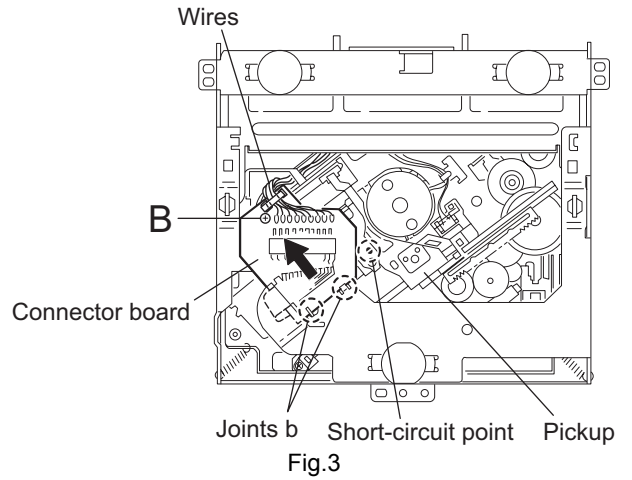
#### CAUTION:

Before disconnecting the flexible wire from the pickup, solder the short-circuit point on the pickup. No observance of this instruction may cause damage of the pickup.

- (1) Remove the screw **B** fixing the connector board.
- (2) Solder the short-circuit point on the connector board.
- (3) Disconnect the flexible wire from the pickup.
- (4) Move the connector board in the direction of the arrow to release the two joints **b**.
- (5) Unsolder the wire on the connector board if necessary.

#### CAUTION:

Unsolder the short-circuit point after reassembling.



### 3.2.3 Removing the DET switch (See Figs.6 and 7)

- (1) Extend the two tabs c of the feed sw. holder and pull out the switch.
- (2) Unsolder the DET switch wire if necessary.

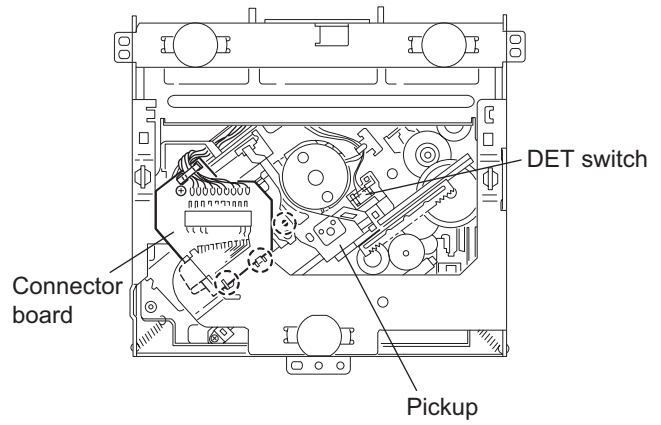


Fig.6

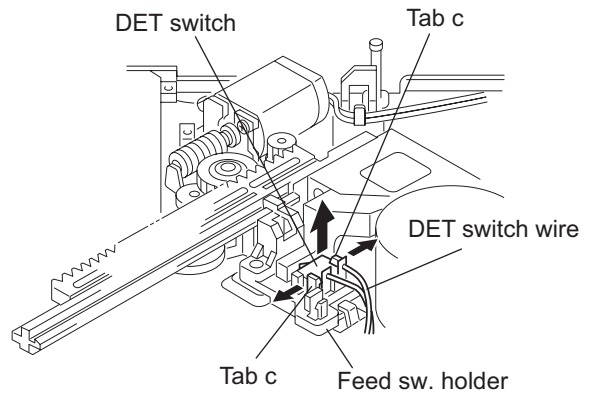


Fig.7

### 3.2.4 Removing the chassis unit (See Figs.8 and 9)

- Prior to performing the following procedure, remove the top cover and connector board.  
(1) Remove the two suspension springs (L) and (R) attaching the chassis unit to the frame.

**CAUTION:**

- The shape of the suspension spring (L) and (R) are different. Handle them with care.
- When reassembling, make sure that the three shafts on the underside of the chassis unit are inserted to the dampers certainly.

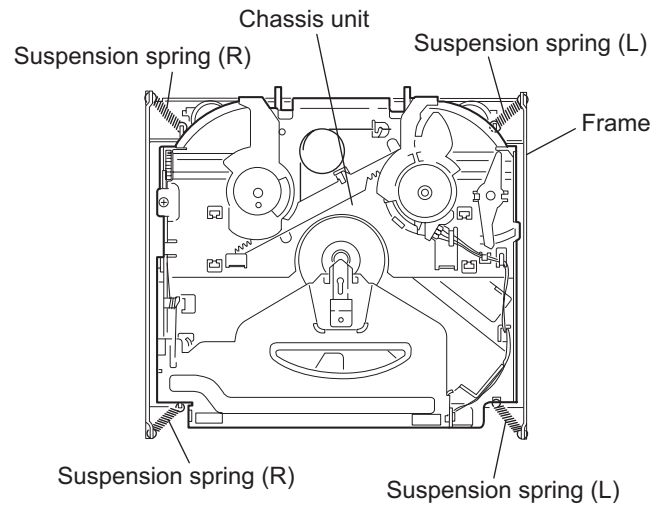


Fig.8

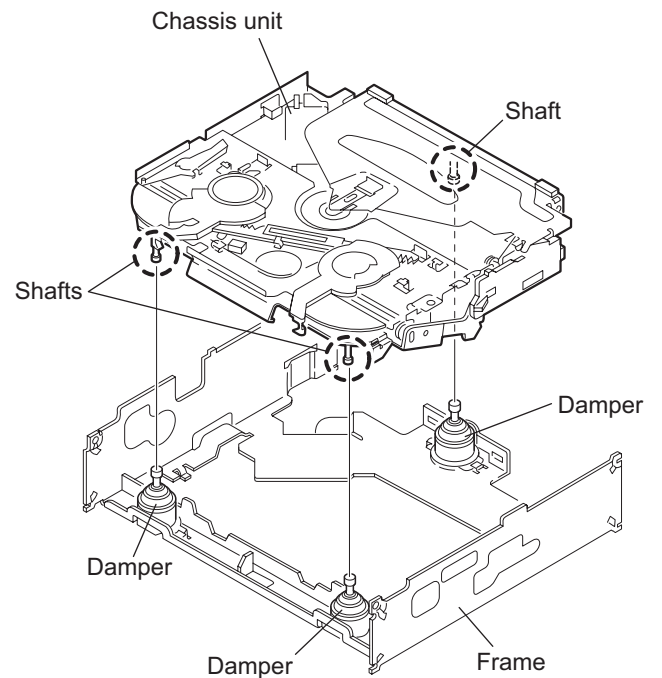
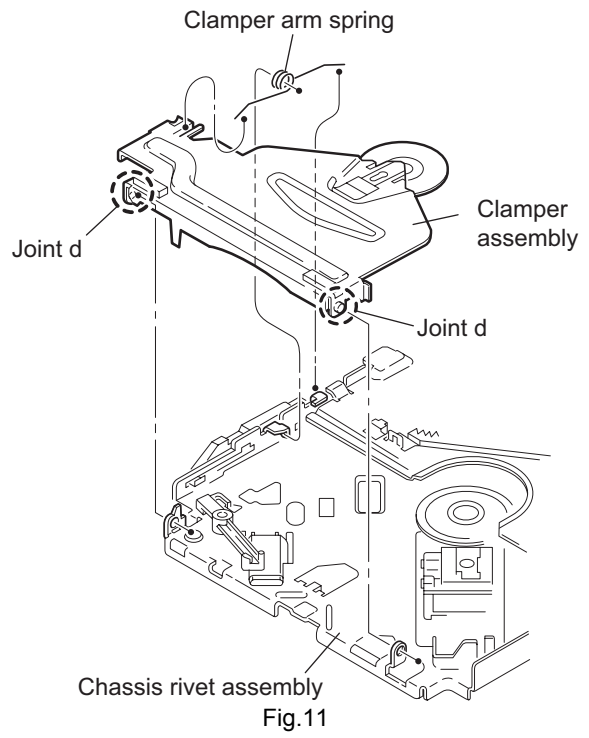
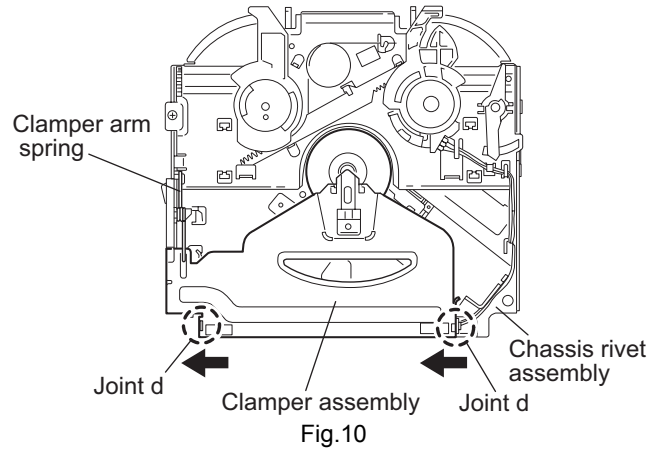


Fig.9

### 3.2.5 Removing the clamper assembly (See Figs.10 and 11)

- Prior to performing the following procedure, remove the top cover.
  - (1) Remove the clamper arm spring.
  - (2) Move the clamper assembly in the direction of the arrow to release the two joints d.

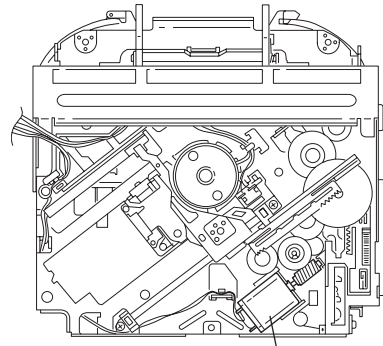


### 3.2.6 Removing the loading / feed motor assembly (See Figs.12 and 13)

- Prior to performing the following procedure, remove the top cover, connector board and chassis unit.
  - (1) Remove the screw **C** and move the loading / feed motor assembly in the direction of the arrow to remove it from the chassis rivet assembly.
  - (2) Disconnect the wire from the loading / feed motor assembly if necessary.

**CAUTION:**

When reassembling, connect the wire from the loading / feed motor assembly to the flame as shown in Fig.12.



Loading / feed motor assembly  
Fig.12

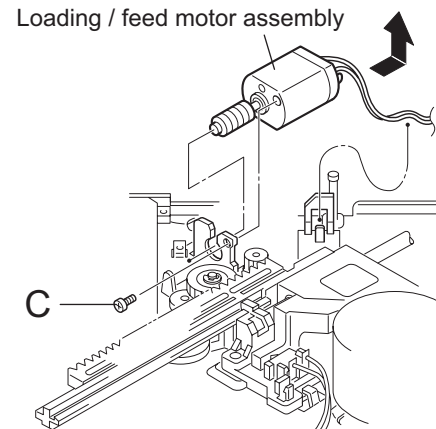


Fig.13

### 3.2.7 Removing the pickup unit (See Figs.14 to 18)

- Prior to performing the following procedure, remove the top cover, connector board and chassis unit.
  - (1) Remove the screw **D** and pull out the pu. shaft holder from the pu. shaft.
  - (2) Remove the screw **E** attaching the feed sw. holder.
  - (3) Move the part **e** of the pickup unit upward with the pu. shaft and the feed sw. holder, then release the joint **f** of the feed sw. holder in the direction of the arrow. The joint **g** of the pickup unit and the feed rack is released, and the feed sw. holder comes off.
  - (4) Remove the pu. shaft from the pickup unit.
  - (5) Remove the screw **F** attaching the feed rack to the pickup unit.

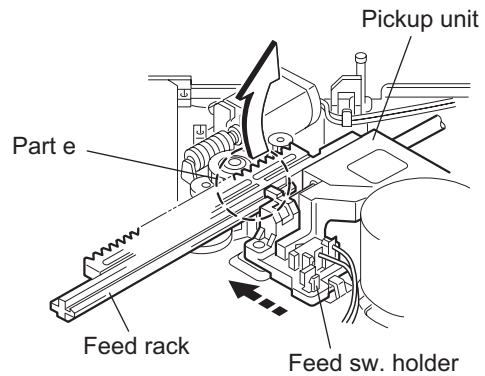


Fig. 15

### 3.2.8 Reattaching the pickup unit (See Figs.14 to 17)

- (1) Reattach the feed rack to the pickup unit using the screw **F**.
- (2) Reattach the feed sw. holder to the feed rack while setting the joint **g** to the slot of the feed rack and setting the part **f** of the feed rack to the switch of the feed sw. holder correctly.
- (3) As the feed sw. holder is temporarily attached to the pickup unit, set to the gear of the joint **g** and to the bending part of the chassis (joint **h**) at a time.

**CAUTION:**

Make sure that the part **i** on the underside of the feed rack is certainly inserted to the slot **j** of the change lock lever.

- (4) Reattach the feed sw. holder using the screw **E**.
- (5) Reattach the pu. shaft to the pickup unit. Reattach the pu. shaft holder to the pu. shaft using the screw **D**.

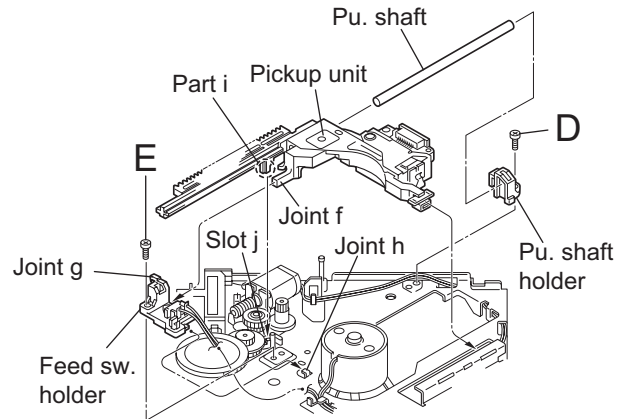


Fig. 16

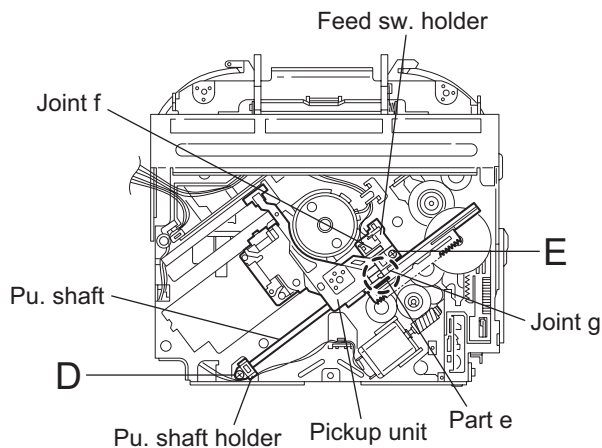


Fig. 14

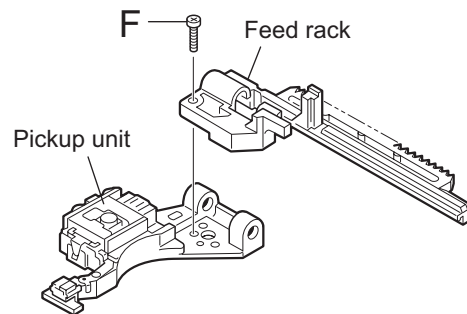


Fig. 17

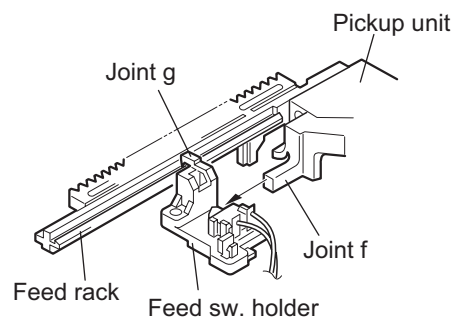


Fig. 18



### 3.2.9 Removing the trigger arm (See Figs.19 and 20)

- Prior to performing the following procedure, remove the top cover, connector board and clamper unit.
  - (1) Turn the trigger arm in the direction of the arrow to release the joint **k** and pull out upward.

**CAUTION:**

When reassembling, insert the part **m** and **n** of the trigger arm into the part **p** and **q** at the slot of the chassis rivet assembly respectively and join the joint **k** at a time.

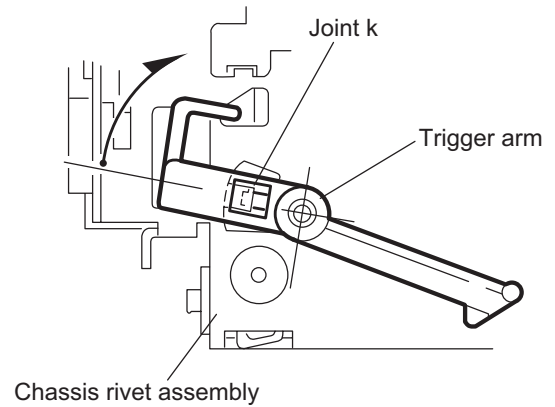


Fig.19

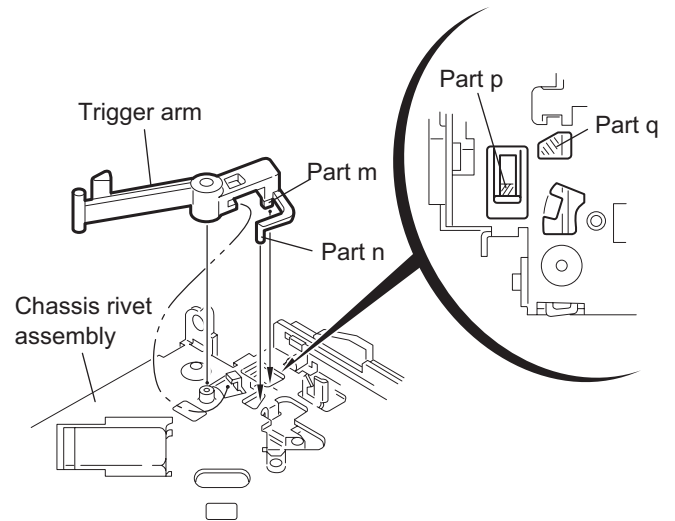


Fig.20

### 3.2.10 Removing the top plate assembly (See Fig.21)

- Prior to performing the following procedure, remove the top cover, connector board, chassis unit, and clamper assembly.
  - (1) Remove the screw **H**.
  - (2) Move the top plate assembly in the direction of the arrow to release the two joints **r**.
  - (3) Unsolder the wire marked **s** if necessary.

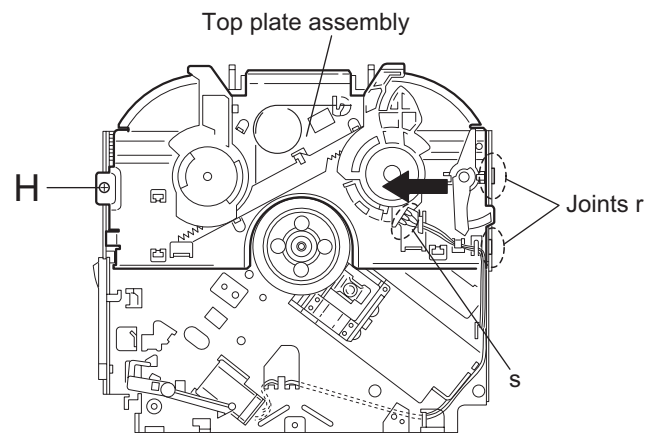


Fig.21

### 3.2.11 Removing the mode sw. / select lock arm (See Figs.22 and 23)

- Prior to performing the following procedure, remove the top plate assembly.
  - (1) Bring up the mode sw. to release from the link plate (joint **t**) and turn in the direction of the arrow to release the joint **u**.
  - (2) Unsolder the wire of the mode sw. marked **s** if necessary.
  - (3) Turn the select lock arm in the direction of the arrow to release the two joints **v**.
  - (4) The select lock arm spring comes off the select lock arm at the same time.

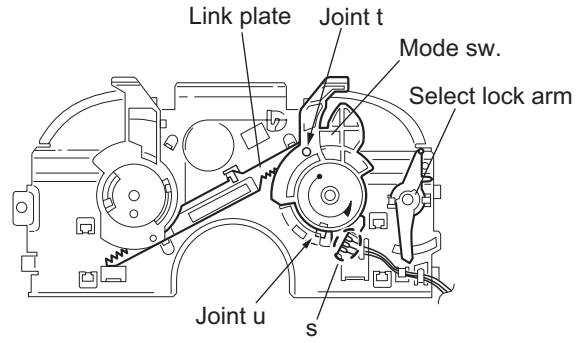


Fig.22

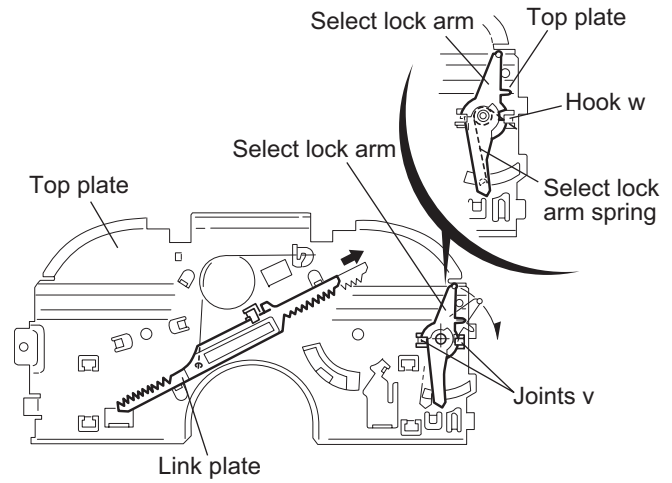


Fig.23

### 3.2.12 Reassembling the mode sw. / select lock arm (See Figs.24 to 26)

#### REFERENCE:

Reverse the above removing procedure.

- (1) Reattach the select lock arm spring to the top plate and set the shorter end of the select lock arm spring to the hook w on the top plate.
- (2) Set the other longer end of the select lock arm spring to the boss x on the underside of the select lock arm, and join the select lock arm to the slots (joint v). Turn the select lock arm as shown in the figure.
- (3) Reattach the mode sw. while setting the part t to the first peak of the link plate gear, and join the joint u.

#### CAUTION:

When reattaching the mode sw., check if the points y and z are correctly fitted and if each part operates properly.

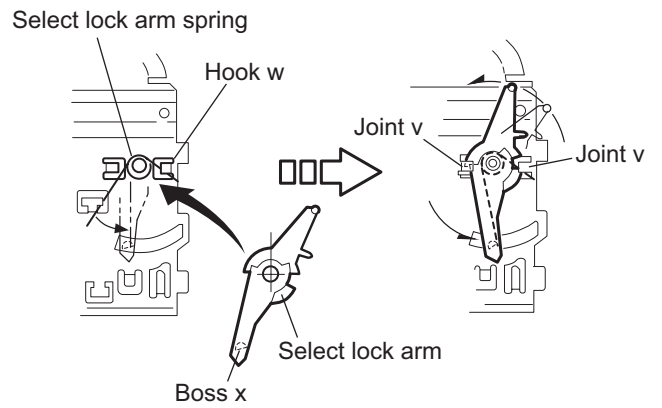


Fig.24

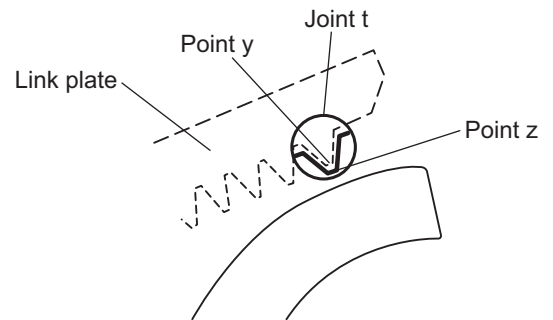


Fig.25

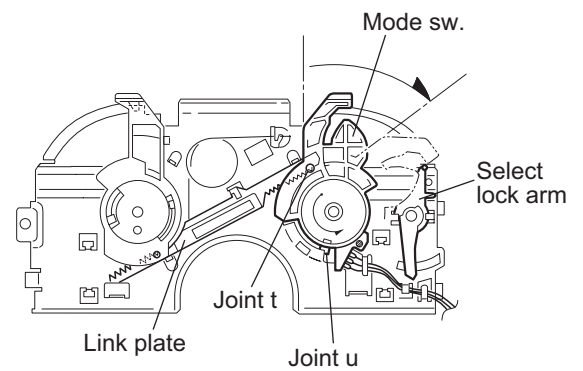


Fig.26

**3.2.13 Removing the select arm R / link plate**  
**(See Figs.27 and 28)**

• Prior to performing the following procedure, remove the top plate assembly.

- (1) Bring up the select arm R to release from the link plate (joint a') and turn as shown in the figure to release the two joints b' and joint c'.
- (2) Move the link plate in the direction of the arrow to release the joint d'. Remove the link plate spring at the same time.

**REFERENCE:**

Before removing the link plate, remove the mode sw..

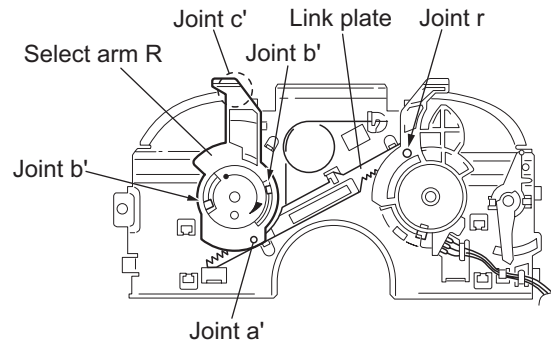


Fig.27

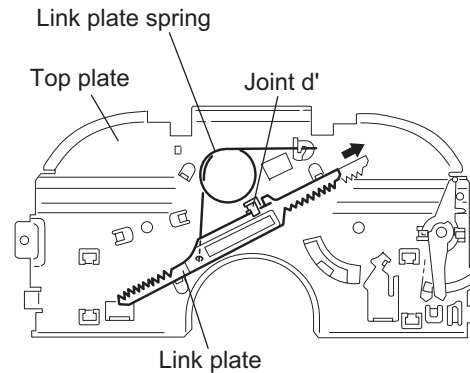


Fig.28

**3.2.14 Reattaching the Select arm R / link plate**  
**(See Figs.29 and 30)**

**REFERENCE:**

Reverse the above removing procedure.

- (1) Reattach the link plate spring.
- (2) Reattach the link plate to the link plate spring while joining them at joint d'.
- (3) Reattach the joint a' of the select arm R to the first peak of the link plate while joining the two joints b' with the slots. Then turn the select arm R as shown in the figure. The top plate is joined to the joint c'.

**CAUTION:**

When reattaching the select arm R, check if the points e' and f' are correctly fitted and if each part operates properly.

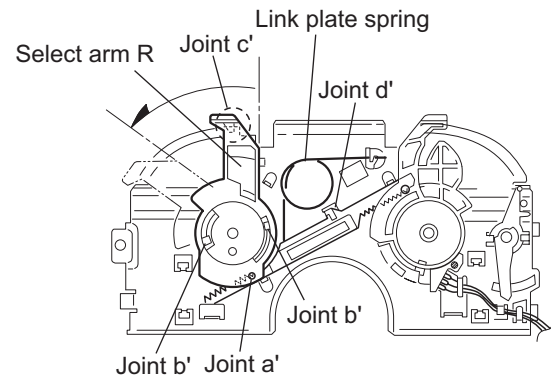


Fig.29

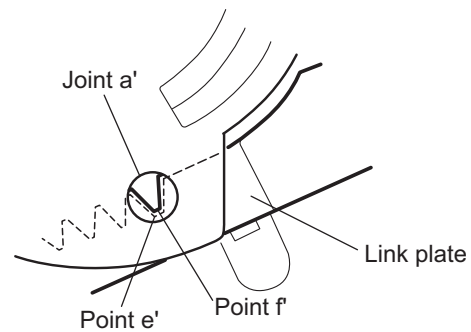


Fig.30

**3.2.15 Removing the loading roller assembly**  
(See Figs.31 to 33)

• Prior to performing the following procedure, remove the clamper assembly and top plate assembly.

- (1) Push inward the loading roller assembly on the gear side and detach it upward from the slot of the joint **g'** of the lock arm rivet assembly.
- (2) Detach the loading roller assembly from the slot of the joint **h'** of the lock arm rivet assembly.

The roller guide comes off the gear section of the loading roller assembly.

Remove the roller guide and the HL washer from the shaft of the loading roller assembly.

- (3) Remove the screw **J** attaching the lock arm rivet assembly.
- (4) Push the shaft at the joint **i'** of the lock arm rivet assembly inward to release the lock arm rivet assembly from the slot of the **L** side plate.
- (5) Extend the lock arm rivet assembly outward and release the joint **j'** from the boss of the chassis rivet assembly. The roller guide springs on both sides come off at the same time.

**CAUTION:**

When reassembling, reattach the left and right roller guide springs to the lock arm rivet assembly before reattaching the lock arm rivet assembly to the chassis rivet assembly. Make sure to fit the part **k'** of the roller guide spring inside of the roller guide. (Refer to Fig.34.)

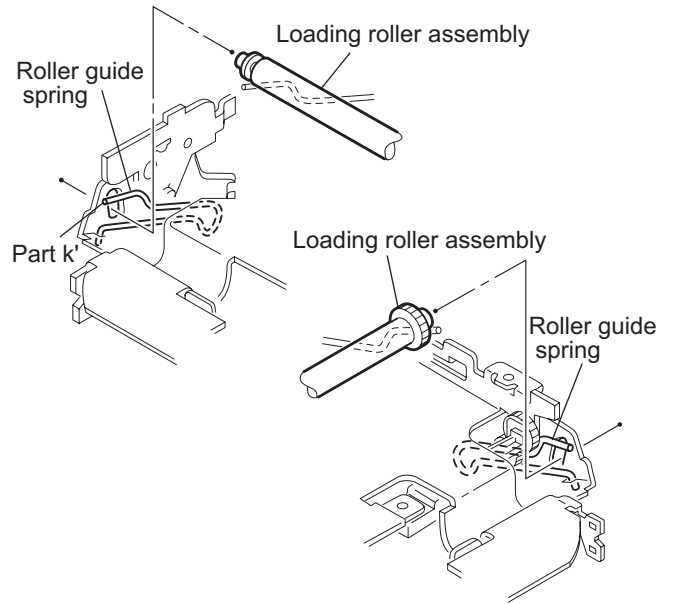


Fig.32

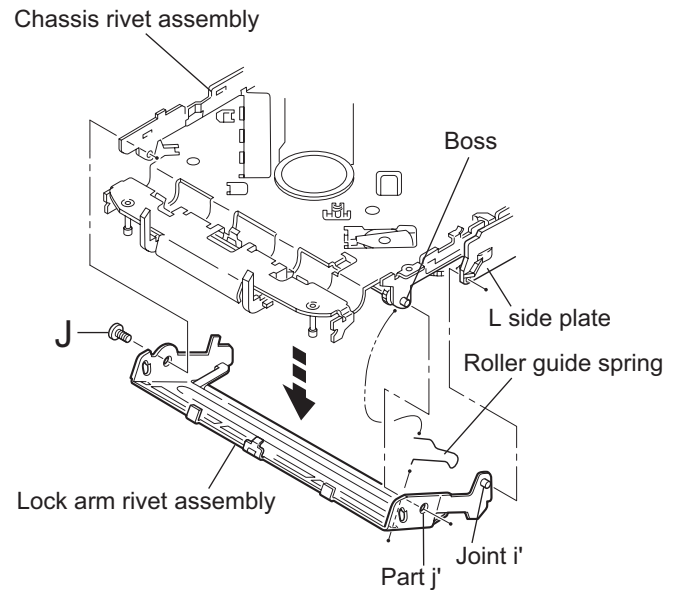


Fig.33

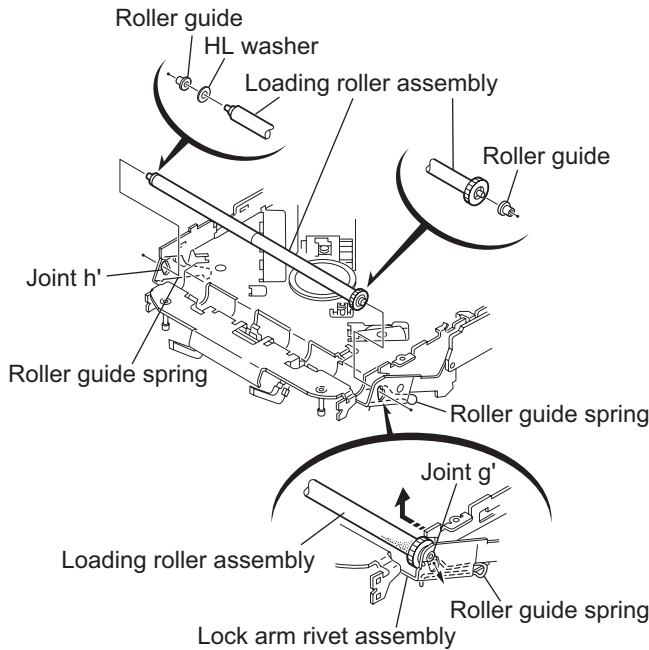


Fig.31

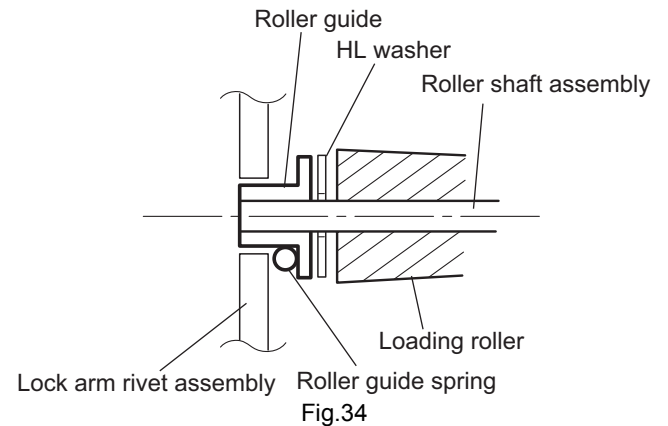
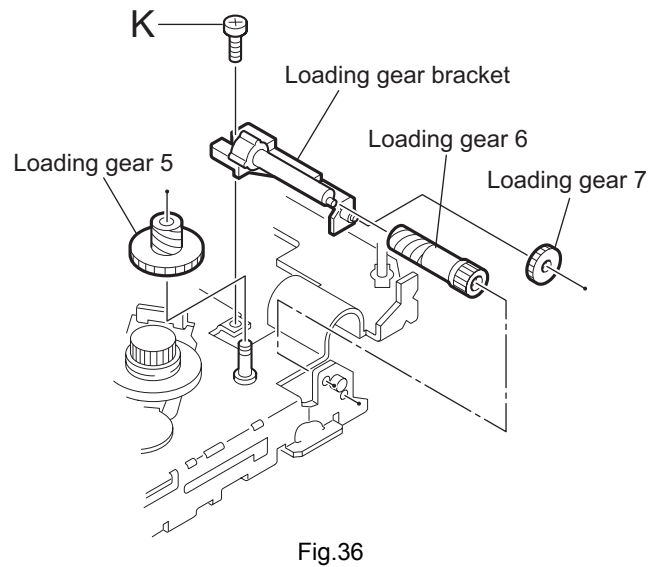
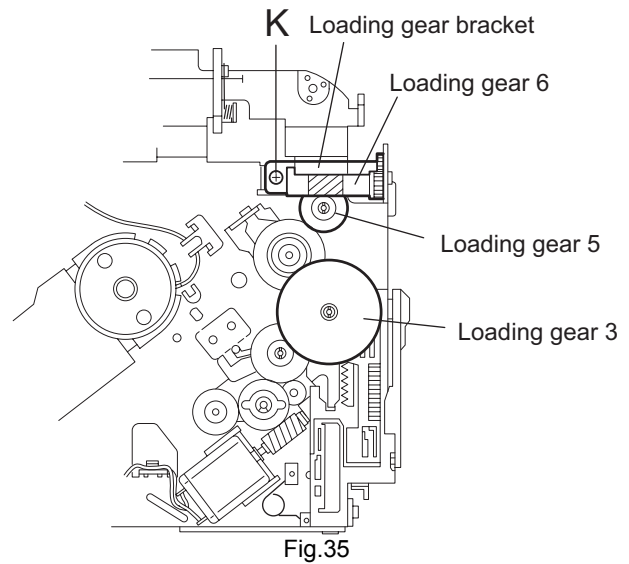


Fig.34

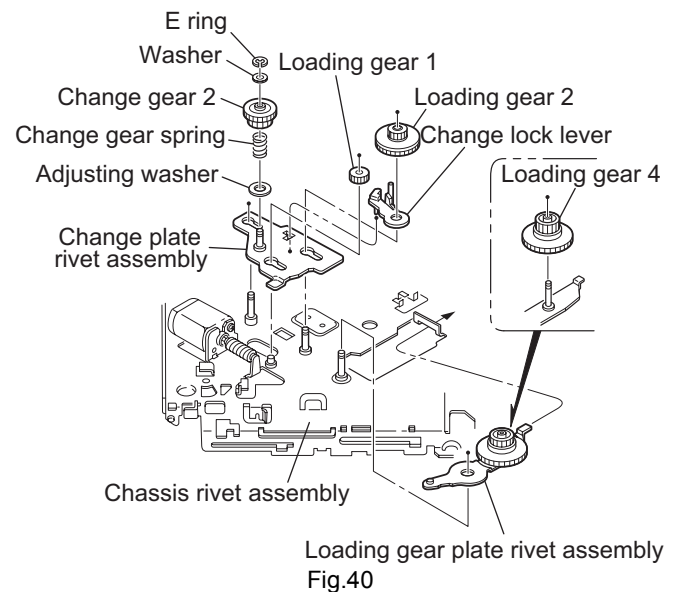
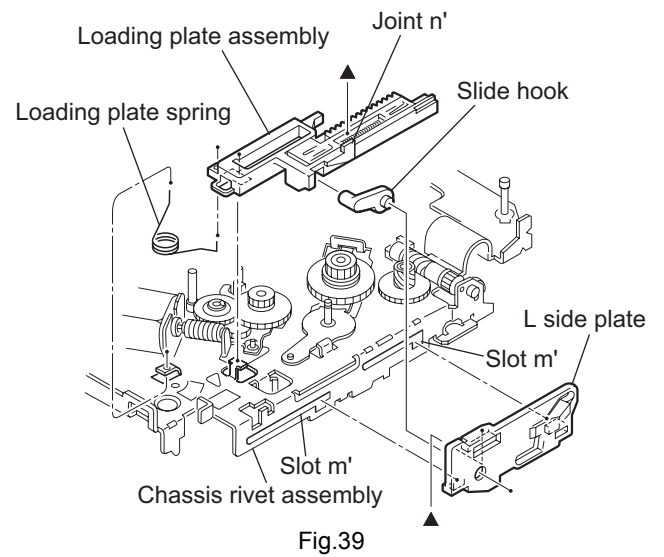
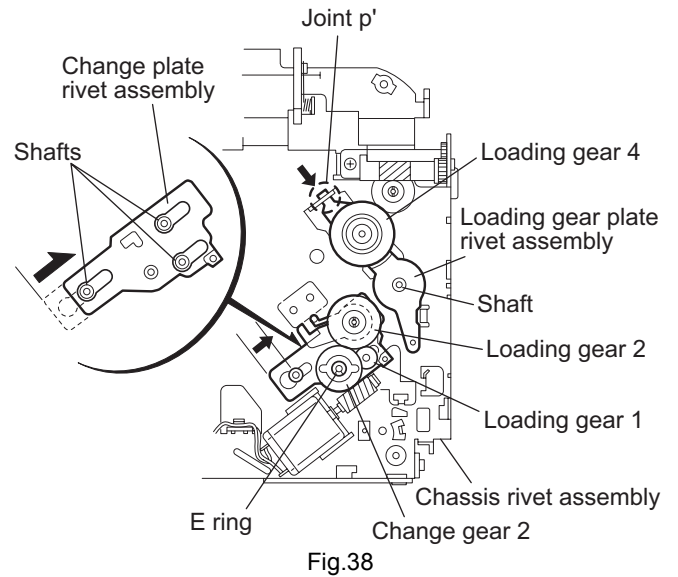
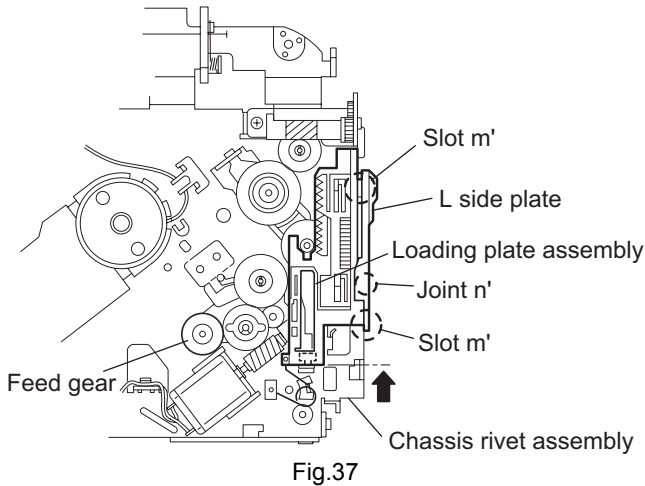
### 3.2.16 Removing the loading gear 5, 6 and 7 (See Figs.35 and 36)

- Prior to performing the following procedure, remove the top cover, chassis unit, pickup unit and top plate assembly.
  - (1) Remove the screw **K** attaching the loading gear bracket.  
The loading gear 6 and 7 come off the loading gear bracket.
  - (2) Pull out the loading gear 5.



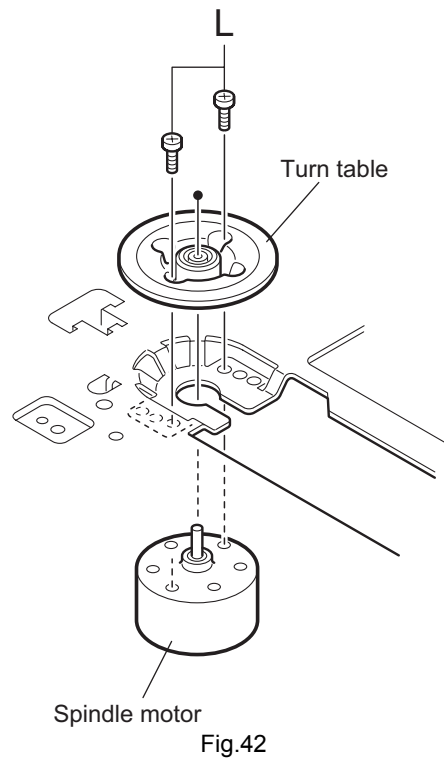
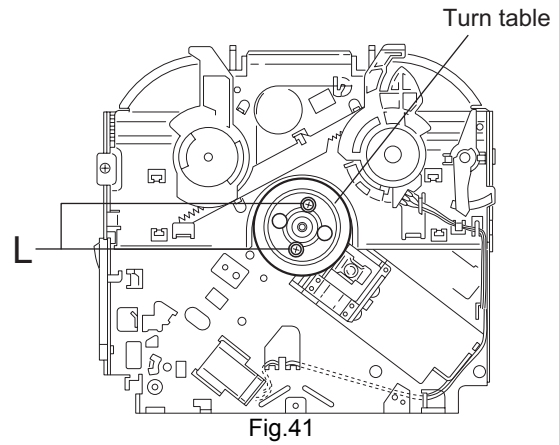
### 3.2.17 Removing the gears (See Figs.37 to 40)

- Prior to performing the following procedure, remove the top cover, chassis unit, top plate assembly and pickup unit.
- Pull out the loading gear 3. (See Fig.35.)
  - (1) Pull out the feed gear.
  - (2) Move the loading plate assembly in the direction of the arrow to release the L side plate from the two slots m' of the chassis rivet assembly. (See Fig.37.)
  - (3) Detach the loading plate assembly upward from the chassis rivet assembly while releasing the joint n'. Remove the slide hook and loading plate spring from the loading plate assembly.
  - (4) Pull out the loading gear 2 and remove the change lock lever.
  - (5) Remove the E ring and washer attaching the changer gear 2.
  - (6) The changer gear 2, change gear spring and adjusting washer come off.
  - (7) Remove the loading gear 1.
  - (8) Move the change plate rivet assembly in the direction of the arrow to release from the three shafts of the chassis rivet assembly upward. (See Fig.38.)
  - (9) Detach the loading gear plate rivet assembly from the shaft of the chassis rivet assembly upward while releasing the joint p'. (See Figs.38 and 40.)
  - (10) Pull out the loading gear 4.



### 3.2.18 Removing the turn table / spindle motor (See Figs.41 and 42)

- Prior to performing the following procedure, remove the top cover, connector board, chassis unit and clasper assembly.
  - (1) Remove the two screws **L** attaching the spindle motor assembly through the slot of the turn table on top of the body.
  - (2) Unsolder the wire on the connector board if necessary.





## SECTION 4 ADJUSTMENT

### 4.1 Adjustment method

#### ■ Test instruments required for adjustment

- (1) Digital oscilloscope (100MHz)
- (2) Electric voltmeter
- (3) Digital tester
- (4) Tracking offset meter
- (5) Test Disc JVC :CTS-1000
- (6) Extension cable for check  
EXTSH002-22P × 1

#### ■ Standard volume position

Balance and Bass & Treble volume : Indication "0"  
Loudness : OFF

#### ■ How to connect the extension cable for adjusting

##### Caution:

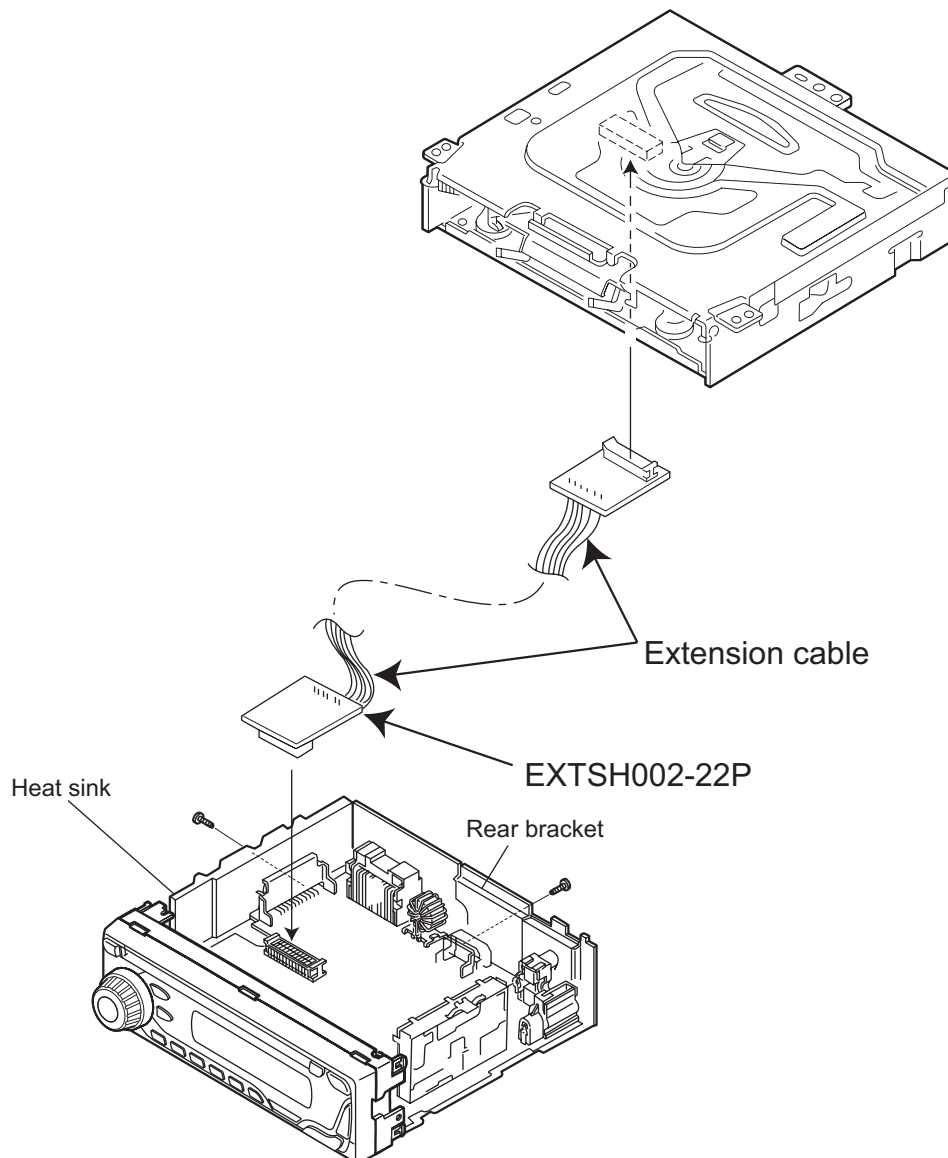
Be sure to attach the heat sink and rear bracket onto the power amplifier IC and regulator IC respectively, before supply the power. If voltage is applied without attaching these parts, the power amplifier IC and regulator IC will be destroyed by heat.

#### ■ Standard measuring conditions

Power supply voltage	DC14.4V(11 to 16V)
Load impedance	20K $\Omega$ (2 Speakers connection)
Output Level	Line out 2.0V (Vol. MAX)

#### ■ Dummy load

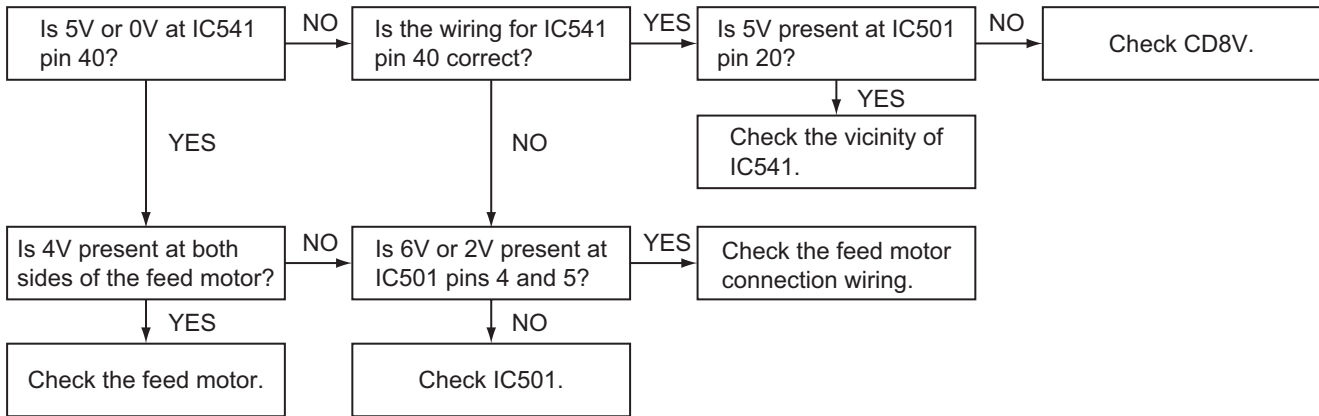
Exclusive dummy load should be used for AM, and FM. For FM dummy load, there is a loss of 6dB between SSG output and antenna input. The loss of 6dB need not be considered since direct reading of figures are applied in this working standard.



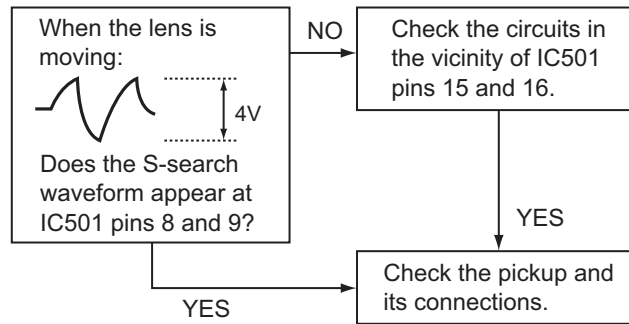
# SECTION 5 TROUBLESHOOTING

## 5.1 KD-G465 UT,UH,UN,U version model

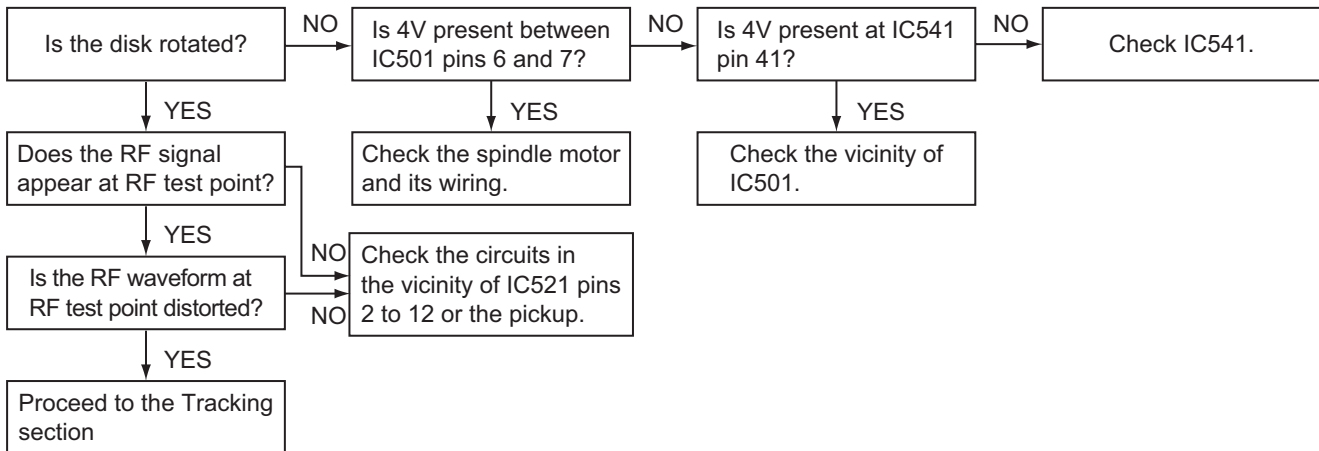
### 5.1.1 Feed section



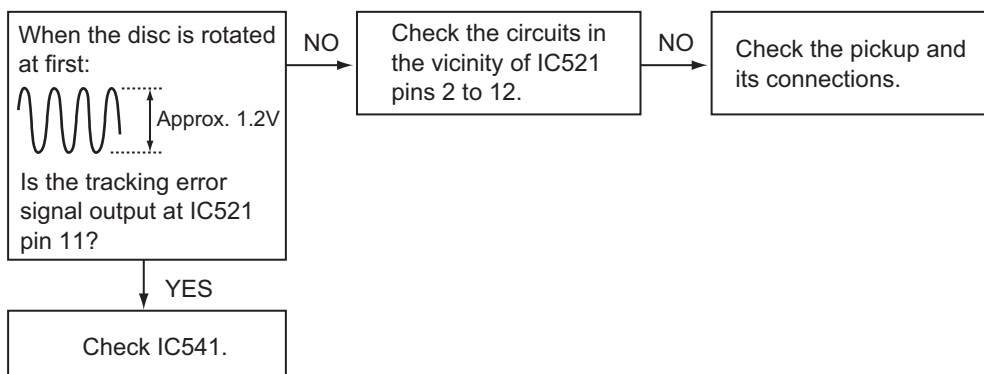
### 5.1.2 Focus section



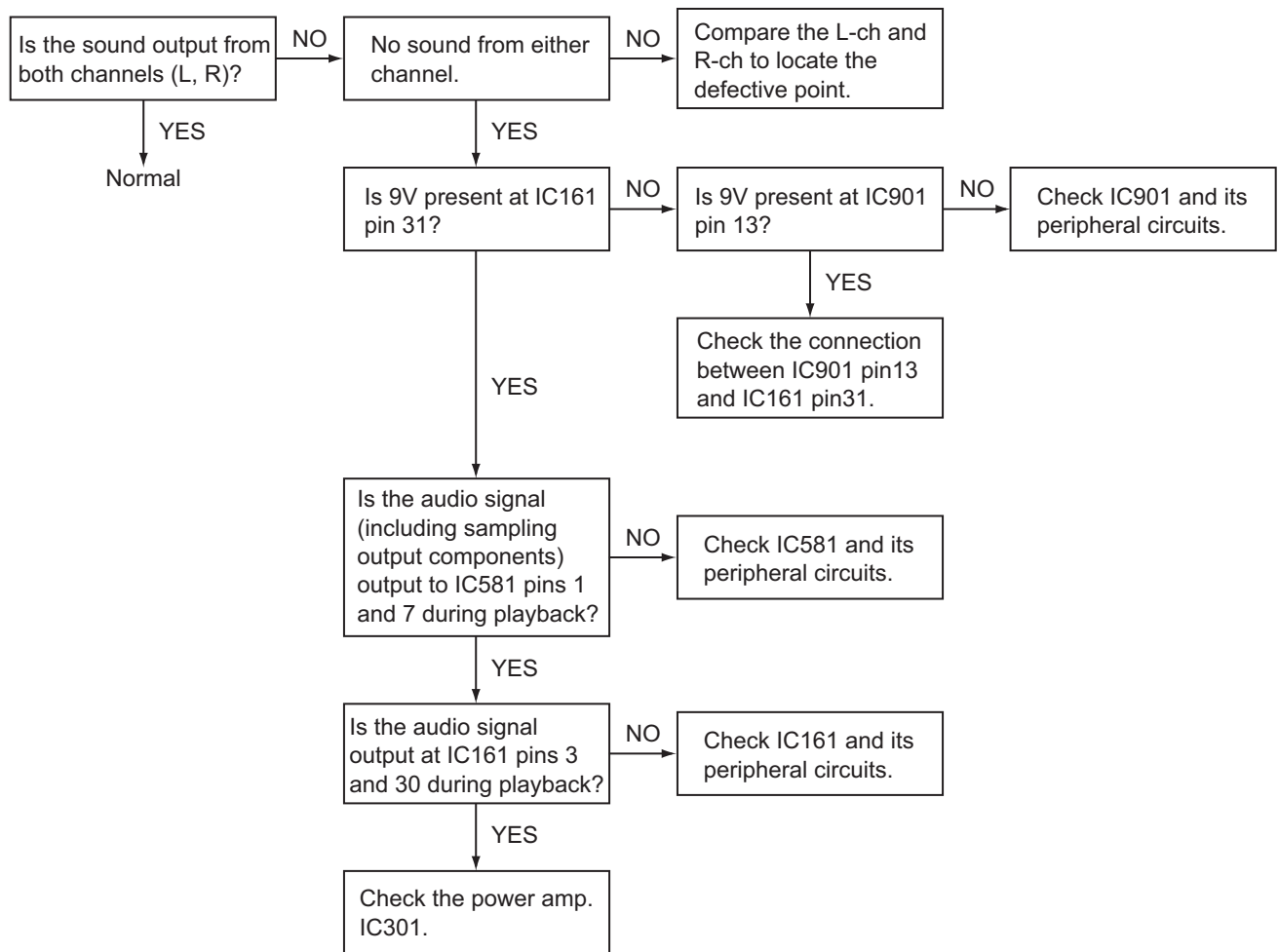
### 5.1.3 Spindle section



### 5.1.4 Tracking section

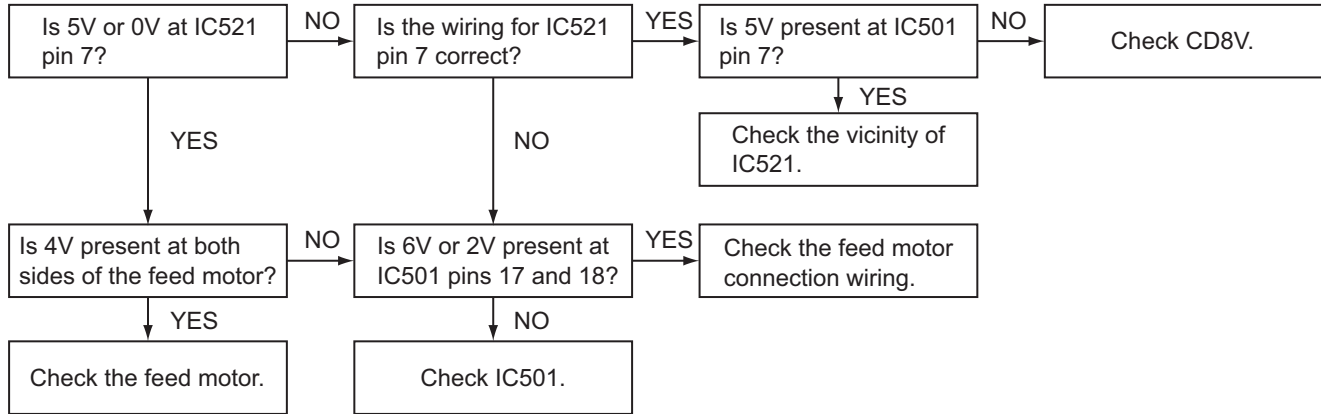


### 5.1.5 Signal processing section

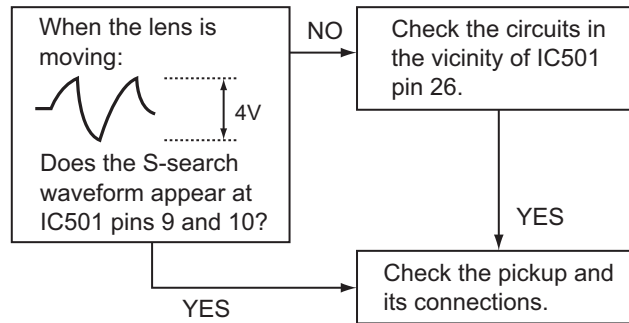


## 5.2 KD-G465 UT2,UH2,UN2,U2 version model

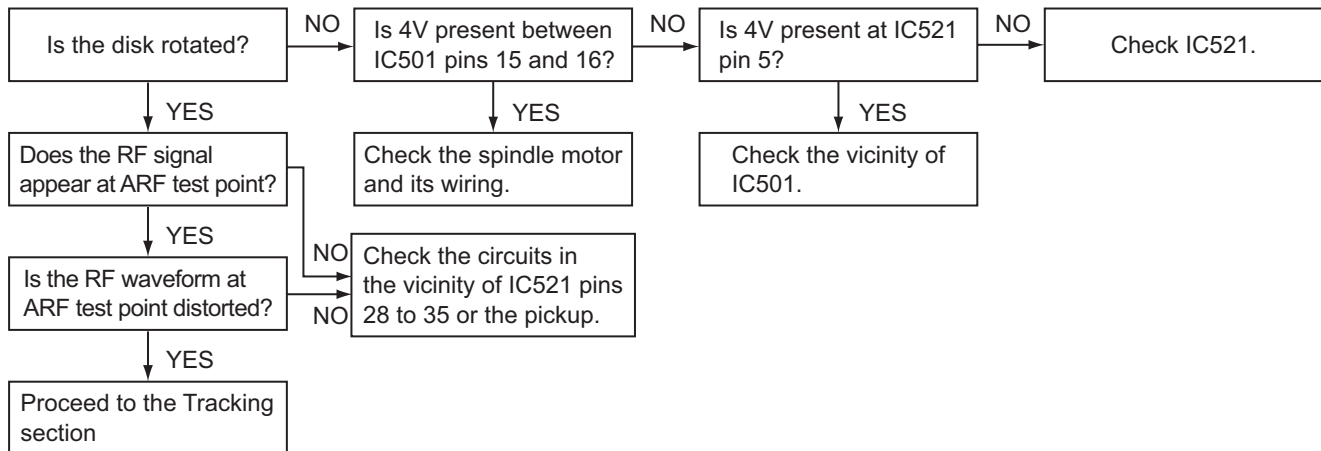
### 5.2.1 Feed section



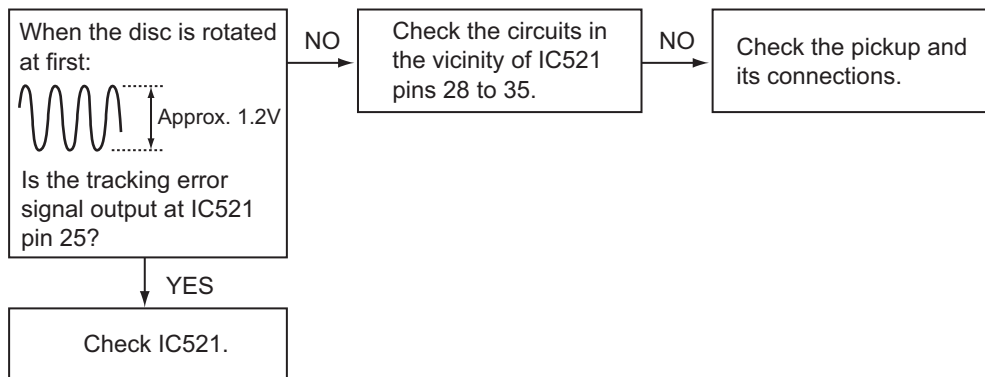
### 5.2.2 Focus section



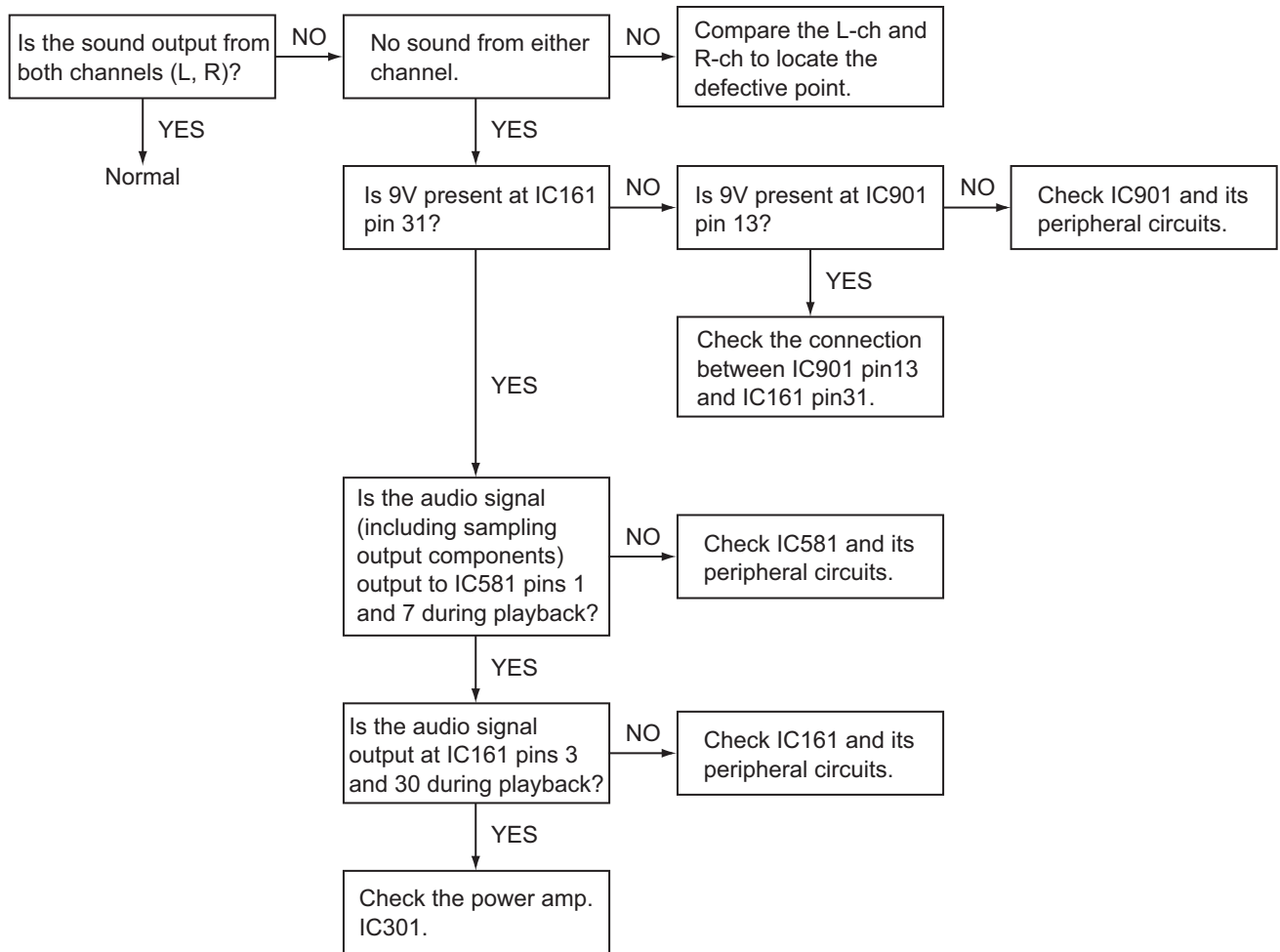
### 5.2.3 Spindle section



### 5.2.4 Tracking section



### 5.2.5 Signal processing section



### 5.3 Maintenance of laser pickup

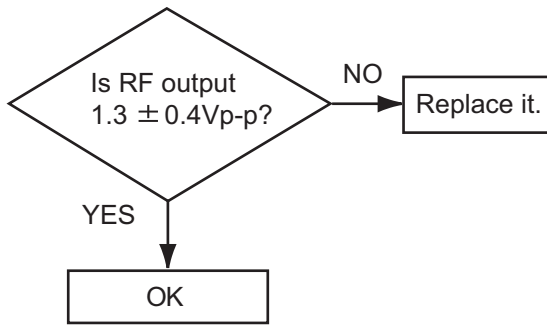
(1) Cleaning the pick up lens

Before you replace the pick up, please try to clean the lens with a alcohol soaked cotton swab.

(2) Life of the laser diode

When the life of the laser diode has expired, the following symptoms will appear.

- The level of RF output (EFM output: amplitude of eye pattern) will be low.

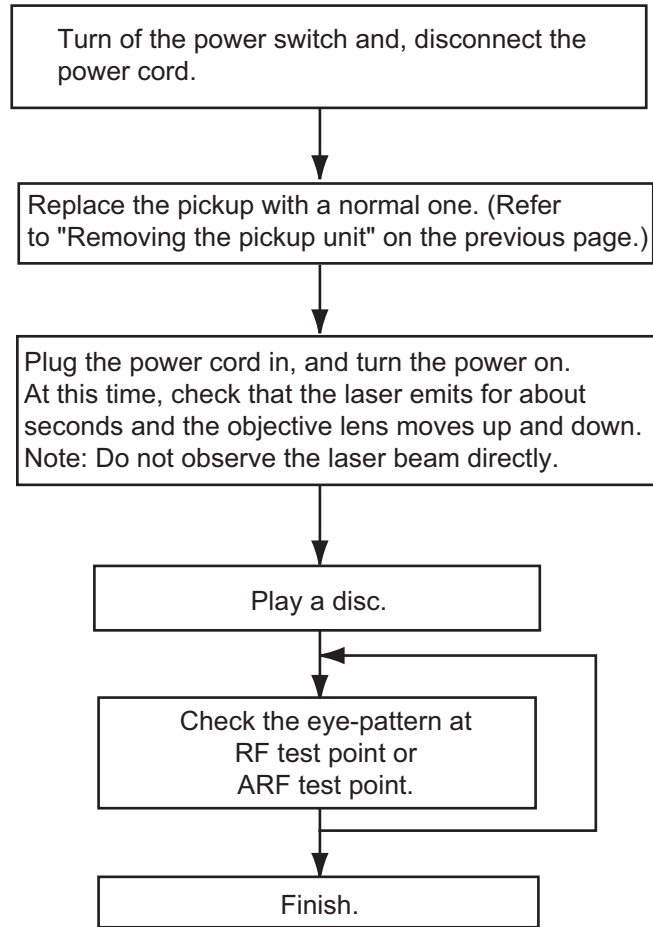


(3) Semi-fixed resistor on the APC PC board

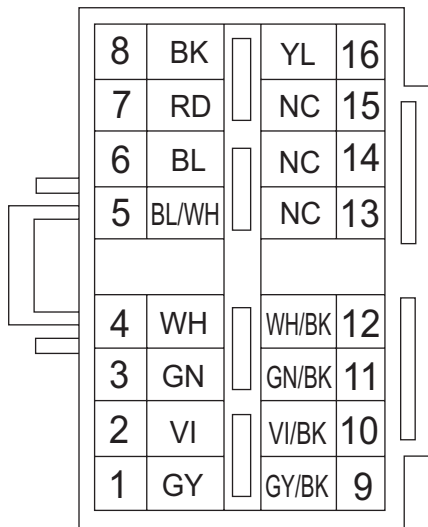
The semi-fixed resistor on the APC printed circuit board which is attached to the pickup is used to adjust the laser power. Since this adjustment should be performed to match the characteristics of the whole optical block, do not touch the semi-fixed resistor.

If the laser power is lower than the specified value, the laser diode is almost worn out, and the laser pickup should be replaced. If the semi-fixed resistor is adjusted while the pickup is functioning normally, the laser pickup may be damaged due to excessive current.

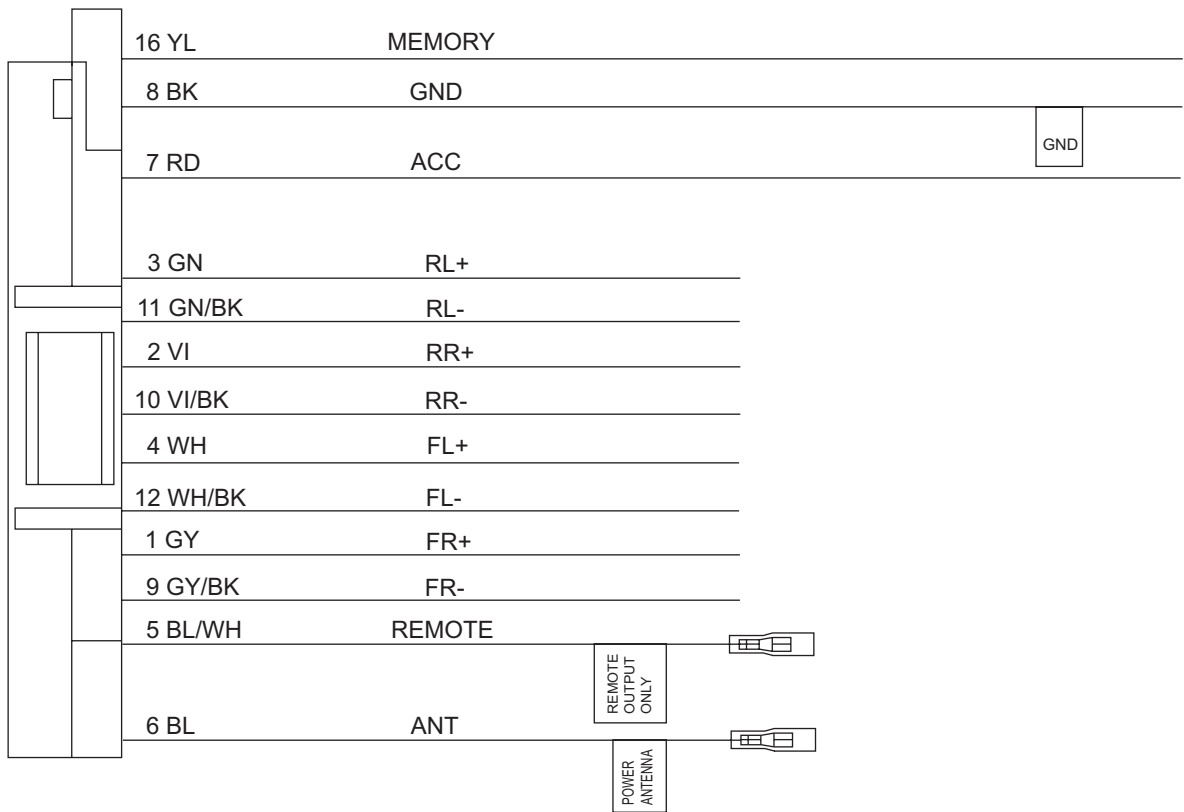
### 5.4 Replacement of laser pickup



### 5.5 16 PIN CORD DIAGRAM



BK	Black	GN	Green
RD	Red	VI	Violet
BL	Blue	GY	Gray
WH	White	YL	Yellow



RR	Rear Right	ANT	Auto Antenna
FR	Front Right	ACC	ACC Line
FL	Front Left	GND	Ground
RL	Rear Left	MEMORY	Memory Backup Battery+
REMOTE	Remote		



**JVC**

Victor Company of Japan, Limited  
AV & MULTIMEDIA COMPANY CAR ELECTRONICS CATEGORY 10-1,1chome,Ohwatari-machi,Maebashi-city,371-8543,Japan

(No.MA137)



# JVC

# SCHEMATIC DIAGRAMS

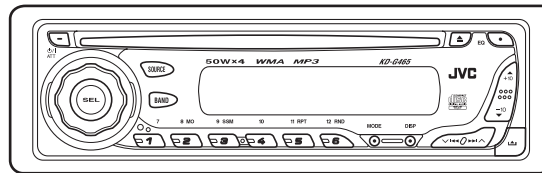
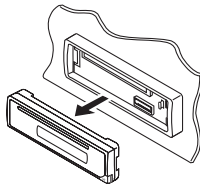
## CD RECEIVER

### KD-G465

CD-ROM No.SML200503

#### Area suffix

UT ----- Taiwan  
UH ----- Thailand  
UN ----- Indonesia  
U ----- Other Areas




**WMA MP3**



### Contents

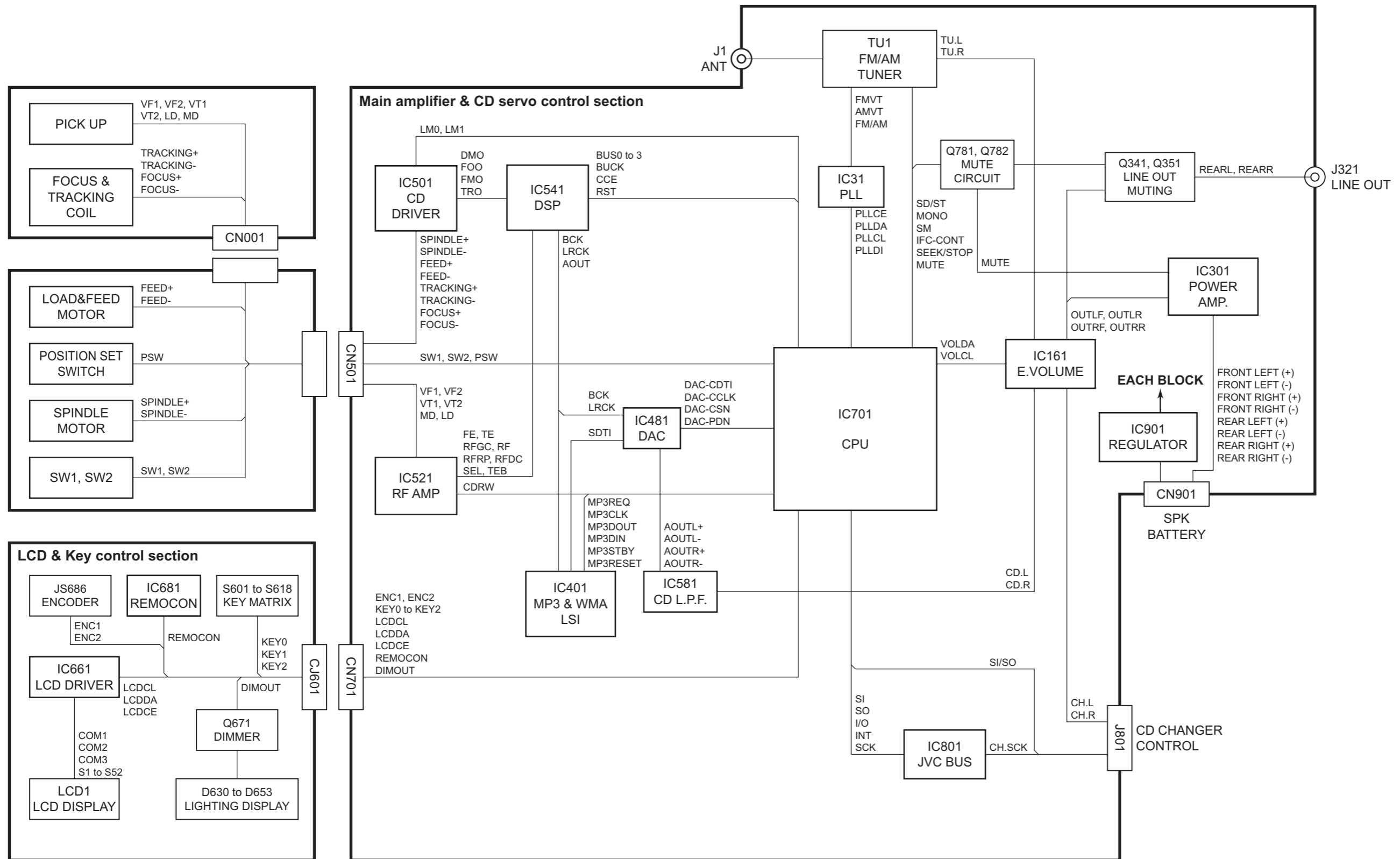
Block diagram (For UT,UH,UN and U version)-----	2-1
Standard schematic diagrams (For UT,UH,UN and U version) -----	2-2
Printed circuit boards (For UT,UH,UN and U version) -----	2-5
Block diagram (For UT2,UH2,UN2 and U2 version) -----	2-6
Standard schematic diagrams (For UT2,UH2,UN2 and U2 version) -----	2-7
Printed circuit boards (For UT2,UH2,UN2 and U2 version)-----	2-10
Block diagram (For UH3,UN3 and U3 version) -----	2-11
Standard schematic diagrams (For UH3,UN3 and U3 version) -----	2-12
Printed circuit boards (For UH3,UN3 and U3 version) -----	2-15 to 17

## Safety precaution

 **CAUTION** Burrs formed during molding may be left over on some parts of the chassis. Therefore, pay attention to such burrs in the case of performing repair of this system.

 **CAUTION** Please use enough caution not to see the beam directly or touch it in case of an adjustment or operation check.

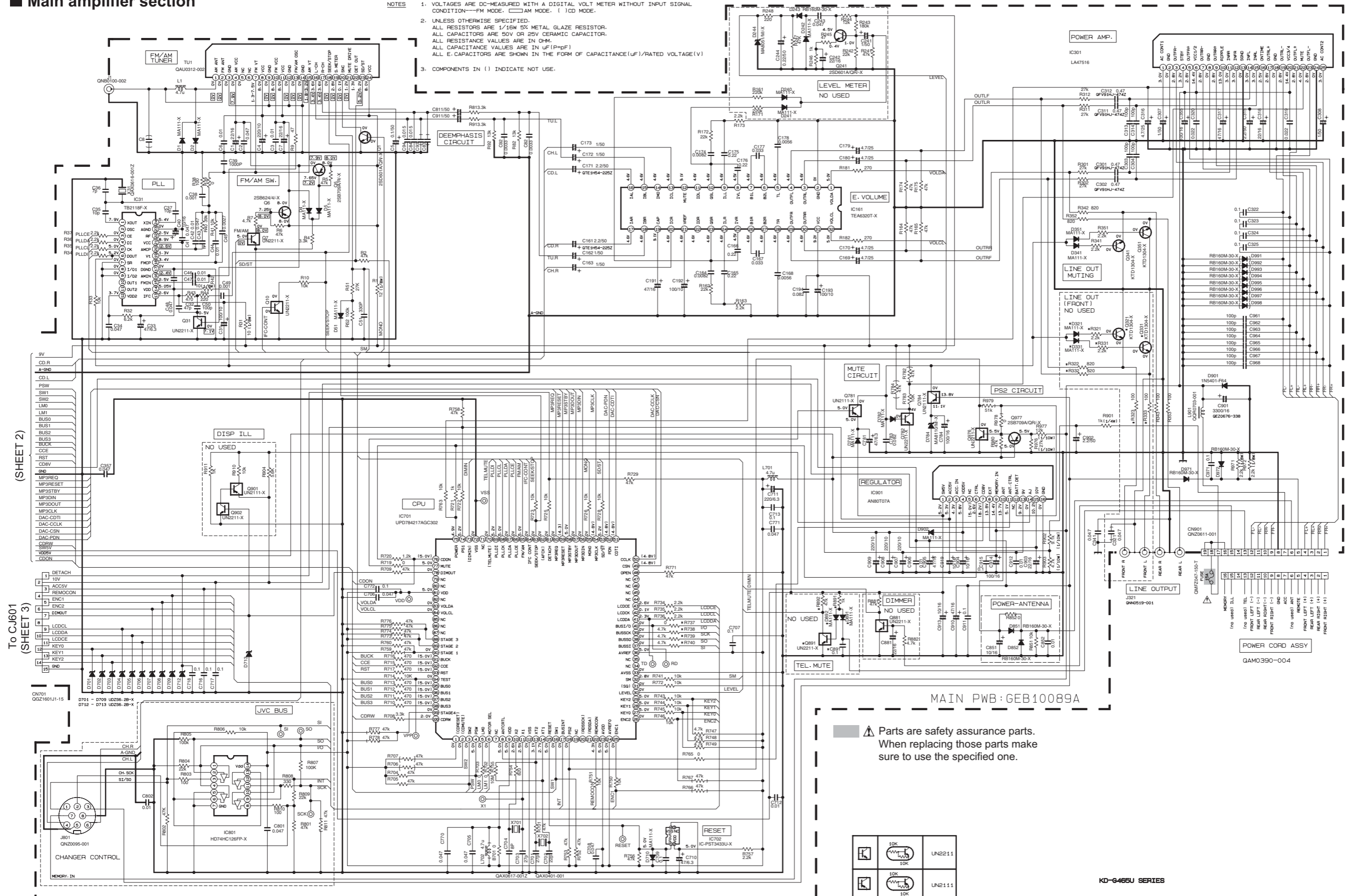
# Block diagram (For UT, UH, UN and U version)



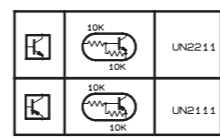
# Standard schematic diagrams (For UT, UH, UN and U version)

## Main amplifier section

- NOTES
1. VOLTAGES ARE DC-MEASURED WITH A DIGITAL VOLT METER WITHOUT INPUT SIGNAL CONDITION—FM MODE. □ AM MODE. ( ) CD MODE.
  2. UNLESS OTHERWISE SPECIFIED, ALL RESISTORS ARE 1/16W 5% METAL GLAZE RESISTOR. ALL CAPACITORS ARE 50V OR 25V CERAMIC CAPACITOR. ALL RESISTANCE VALUES ARE IN OHM. ALL CAPACITANCE VALUES ARE IN  $\mu\text{F}$  (P=pf) ALL E-CAPACITORS ARE SHOWN IN THE FORM OF CAPACITANCE( $\mu\text{F}$ )/RATED VOLTAGE(V)
  3. COMPONENTS IN ( ) INDICATE NOT USE.

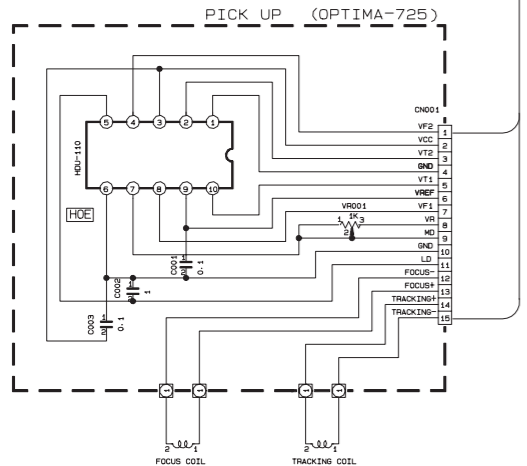
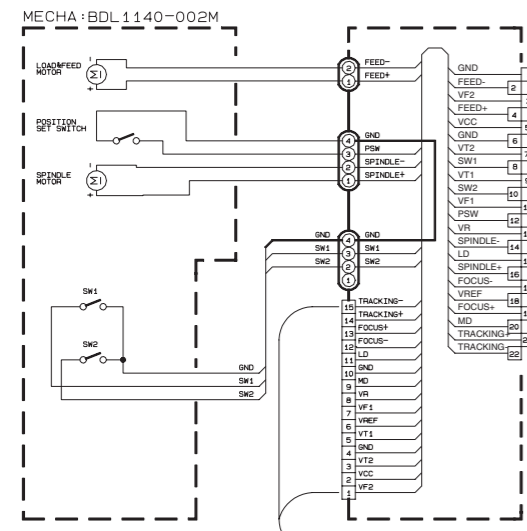


Parts are safety assurance parts. When replacing those parts make sure to use the specified one.

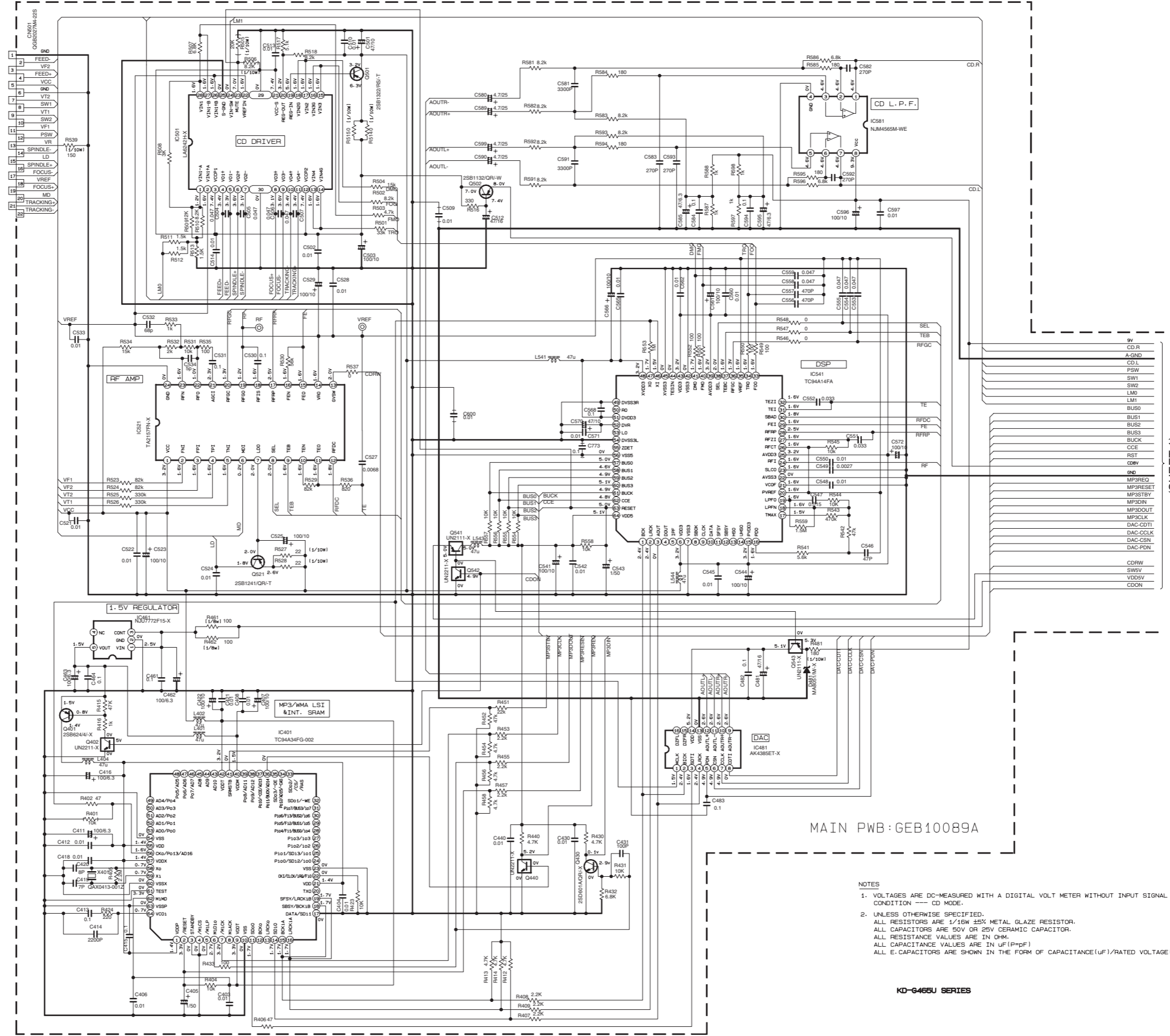


KD-6465U SERIES

# CD servo control section



	10K	UN2211
	10K	UN2211
	10K	UN2211
	10K	UN2211

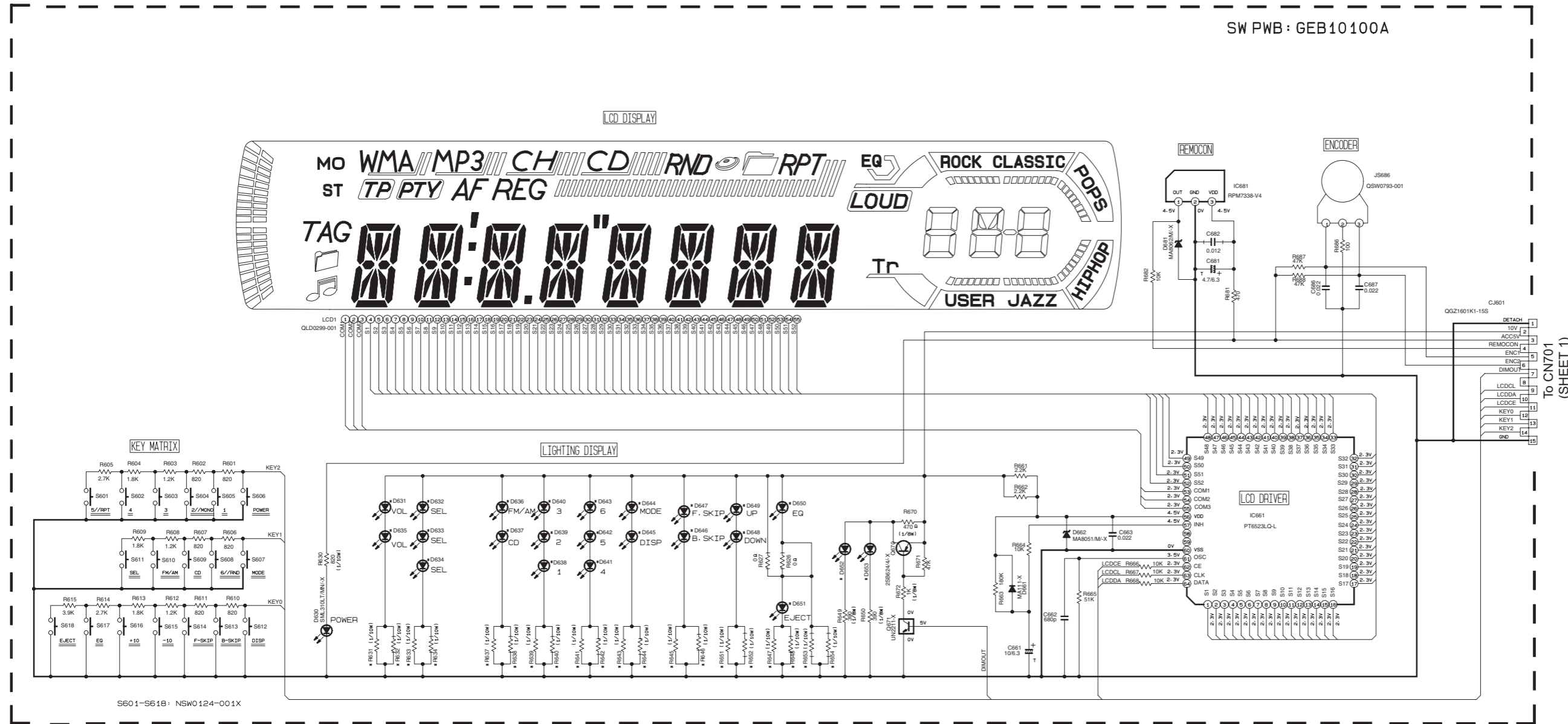


(SHEET 1)

- NOTES
- VOLTAGES ARE DC-MEASURED WITH A DIGITAL VOLT METER WITHOUT INPUT SIGNAL CONDITION — CD MODE.
  - UNLESS OTHERWISE SPECIFIED, ALL RESISTORS ARE 1/16W ±5% METAL GLAZE RESISTOR. ALL CAPACITORS ARE 50V OR 25V CERAMIC CAPACITOR. ALL RESISTANCE VALUES ARE IN OHM. ALL CAPACITANCE VALUES ARE IN uF (P=PF) ALL E. CAPACITORS ARE SHOWN IN THE FORM OF CAPACITANCE (uF)/RATED VOLTAGE (V)

KO-6465U SERIES

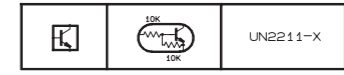
■ LCD & Key control section



S601-S618: NSW0124-001X

\*REMARKS

MODEL	KD-G465U
LCD1	QLD0299-001
D631-D635, D638-D643, D646-D651	SML-310VT/JK/-X
FM/AM & CD	D636, D637 SML-310VT/JK/-X
MODE & DISP	D644, D645 SML-310VT/JK/-X
	D652, D653 NSPW310BS/BRS/-
POWER	R630 820
VOL	R631 470
SEL	R633 680
FM/AM & CD	R637 820
1, 2, 3	R639 330
4, 5, 6	R641 330
MODE & DISP	R643 470
(>>1, 1<<)	R645 470
EQ, EJECT	R647 470
(UP, DOWN)	R651 470



NOTES

- VOLTAGES ARE DC-MEASURED WITH A DIGITAL VOLT METER WITHOUT INPUT SIGNAL.
- UNLESS OTHERWISE SPECIFIED, ALL RESISTORS ARE 1/16W 15% METAL GLAZE RESISTOR. ALL CAPACITORS ARE 50V OR 25V CERAMIC CAPACITOR. ALL RESISTANCE VALUES ARE IN OHM. ALL CAPACITANCE VALUES ARE IN uF (P=PF) ALL CAPACITORS ARE SHOWN IN THE FORM OF CAPACITANCE(uF)/RATED VOLTAGE(V) T --- TANTALUM CAPACITOR.
- COMPONENTS IN ( ) INDICATE NOT USE.

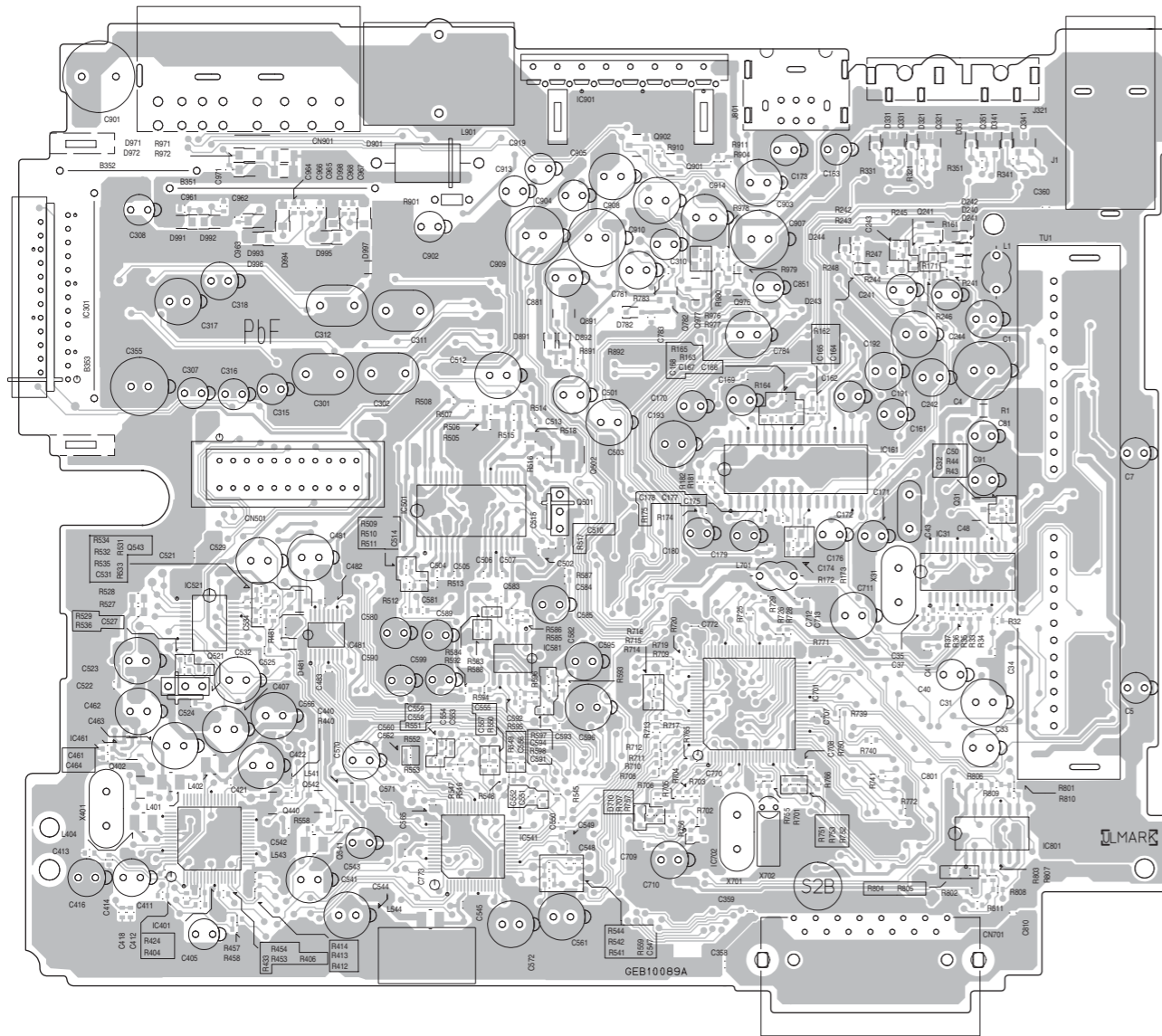
KD-G465U SERIES

SHEET 3

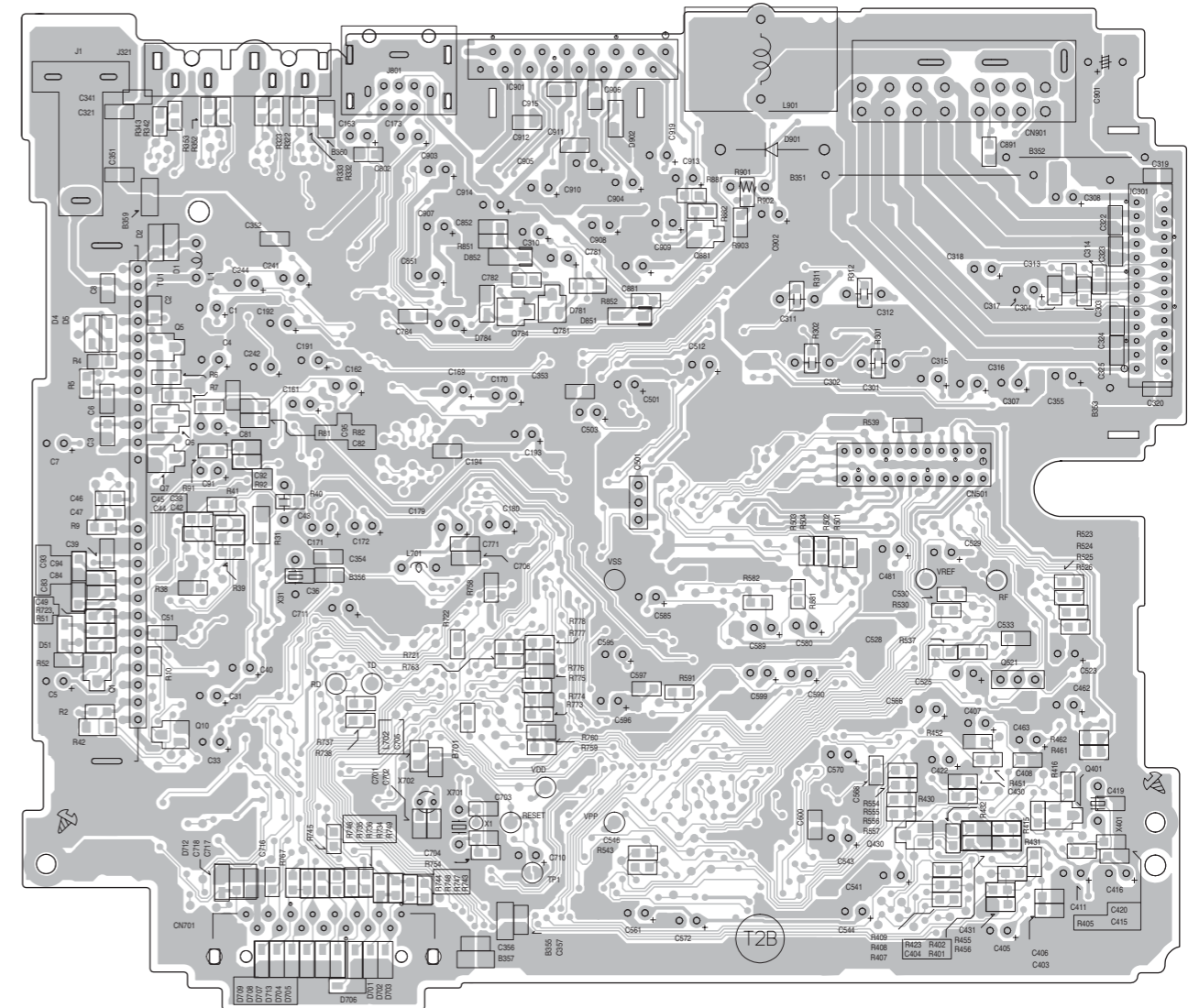
# Printed circuit boards (For UT, UH, UN and U version)

## ■ Main board

Forward side

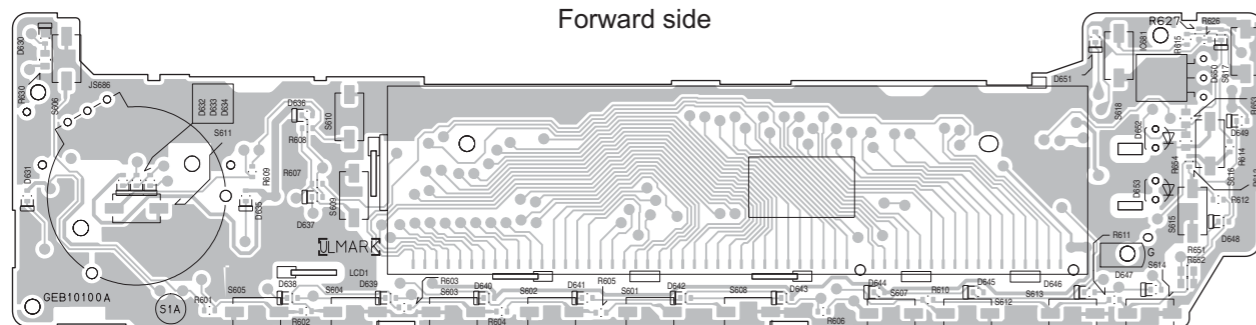


Reverse side

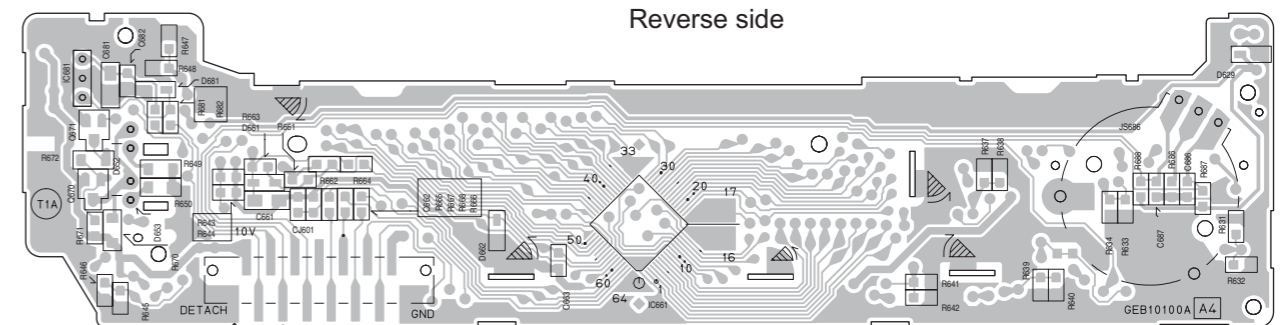


## ■ Switch board

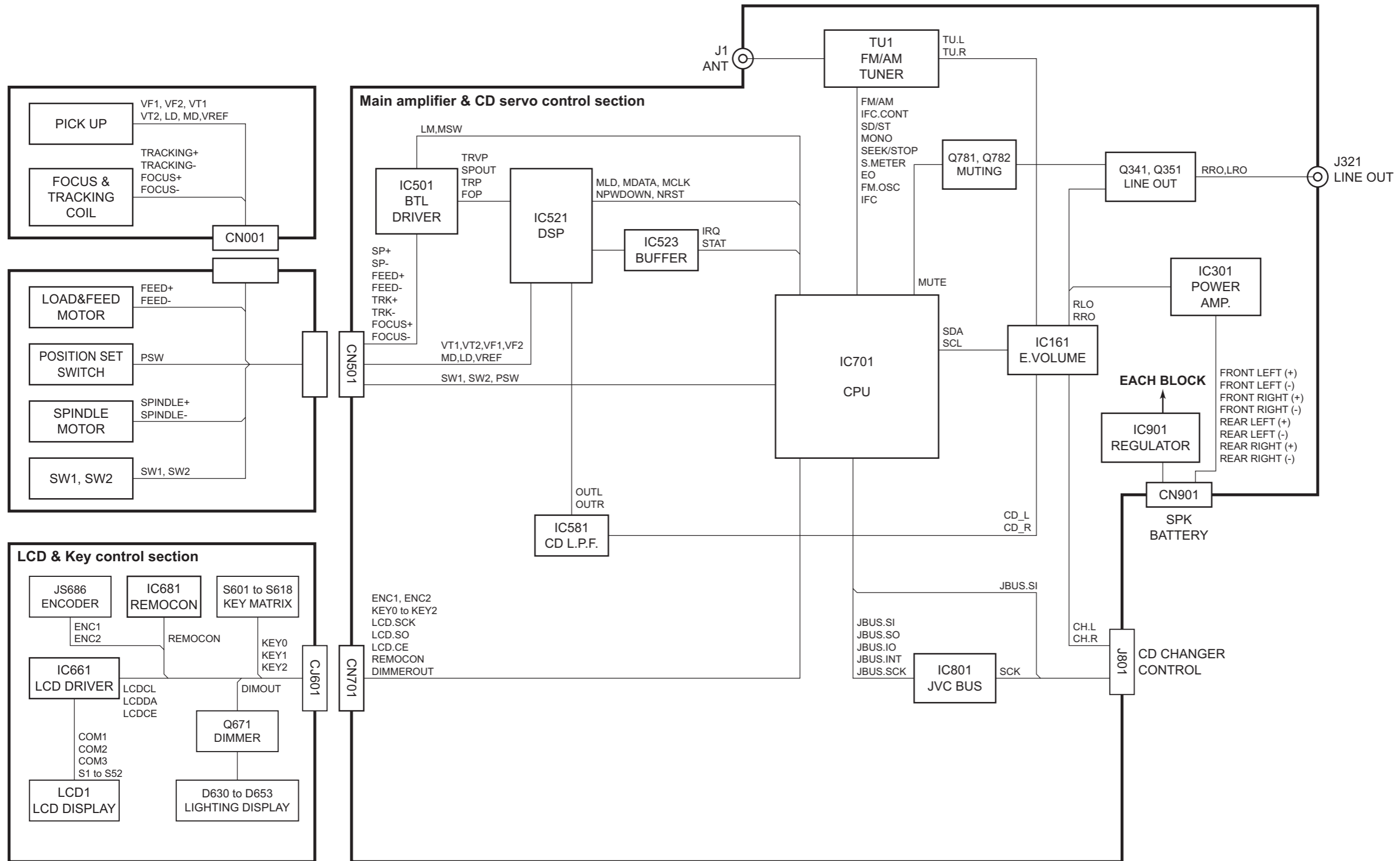
Forward side



Reverse side



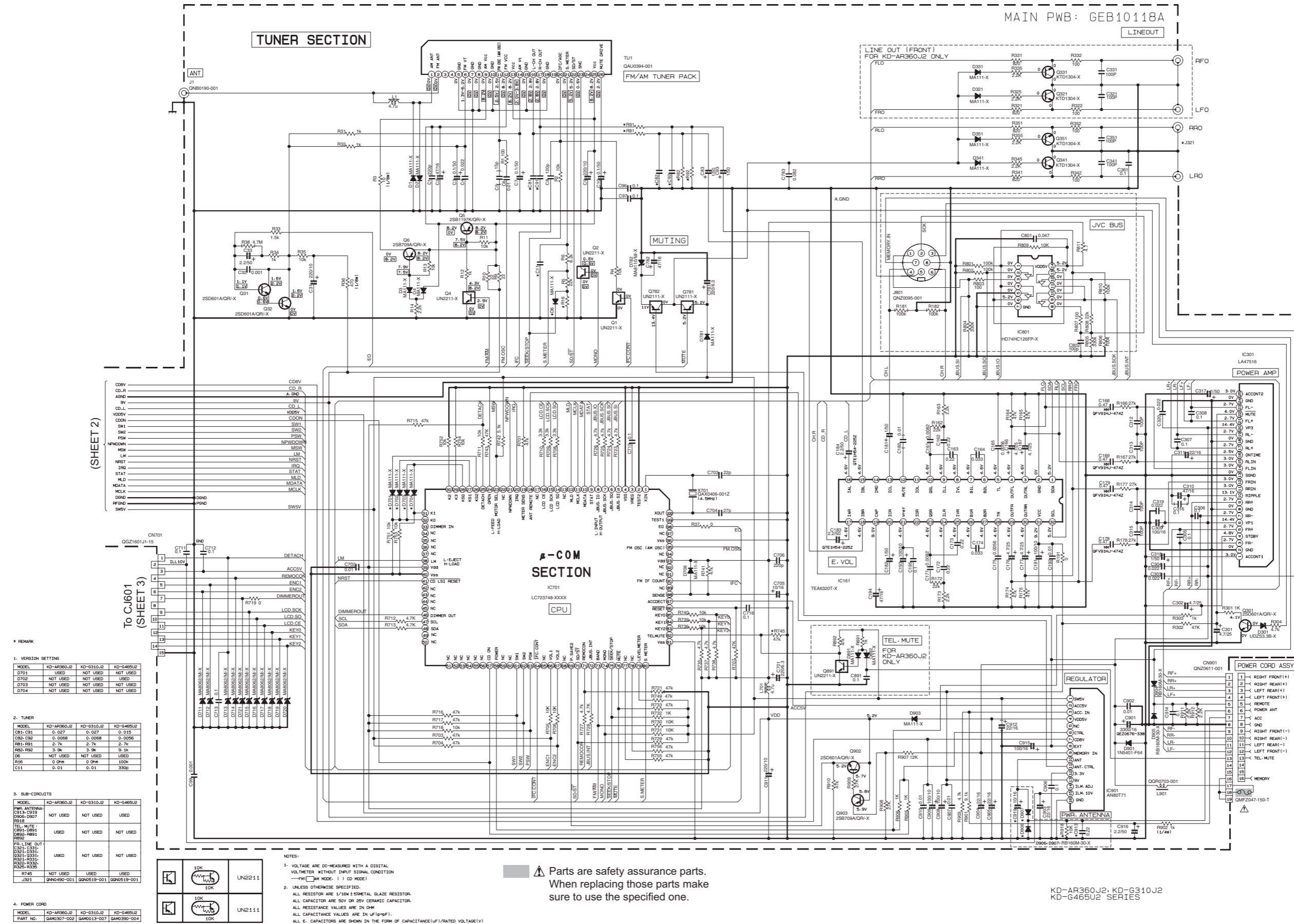
# Block diagram (For UT2, UH2, UN2 and U2 version)



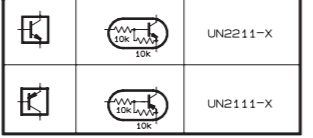
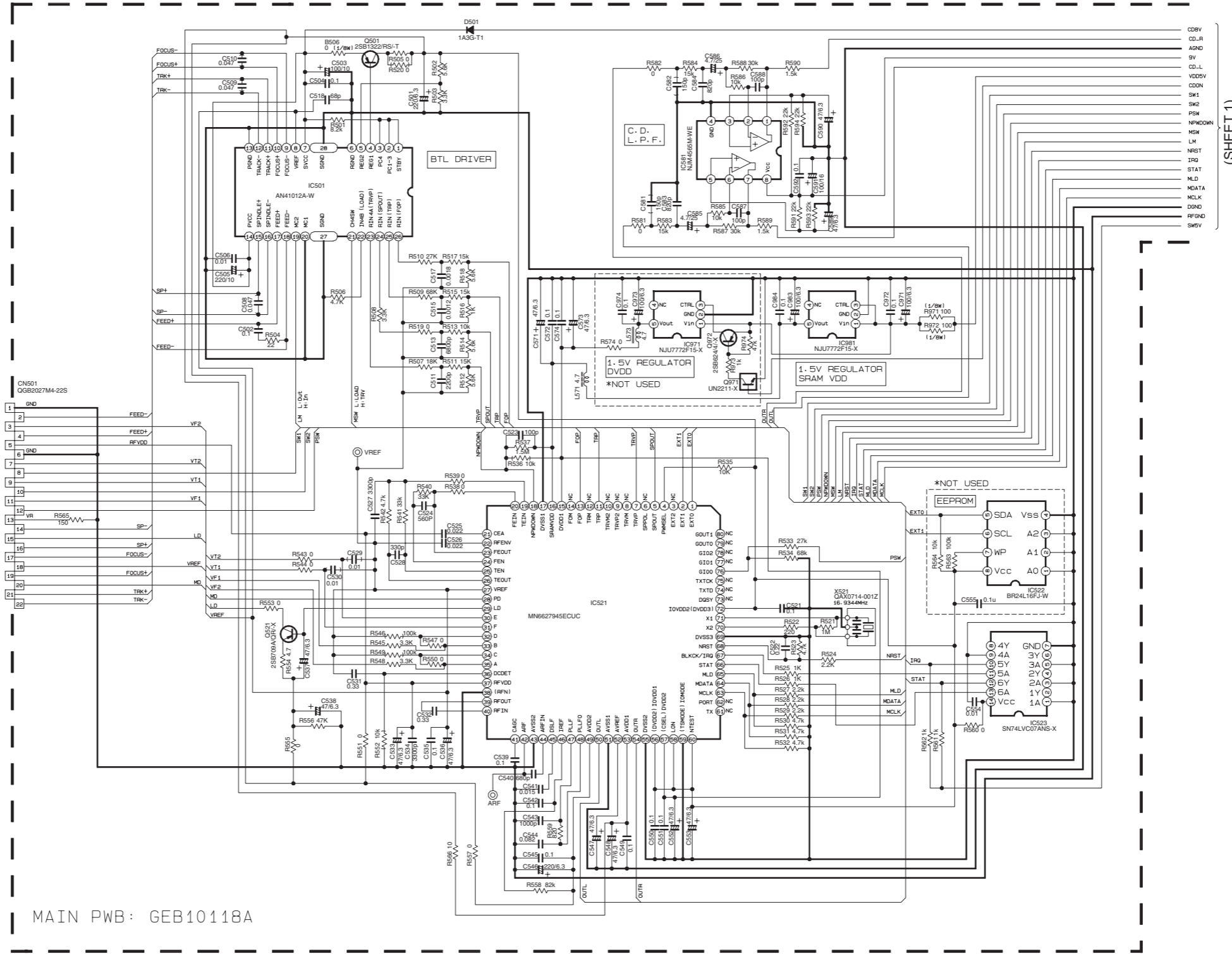
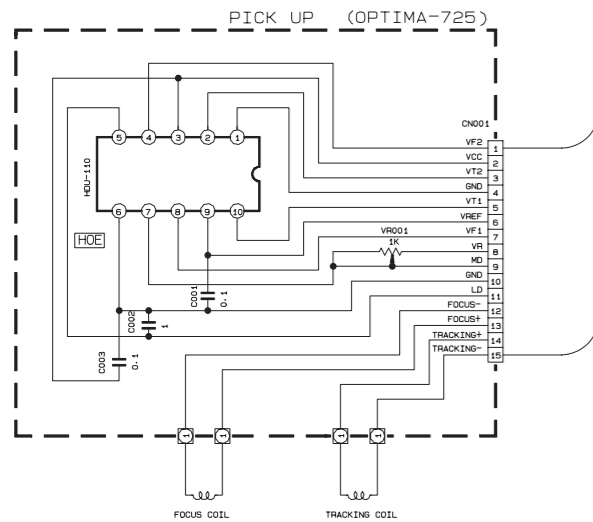
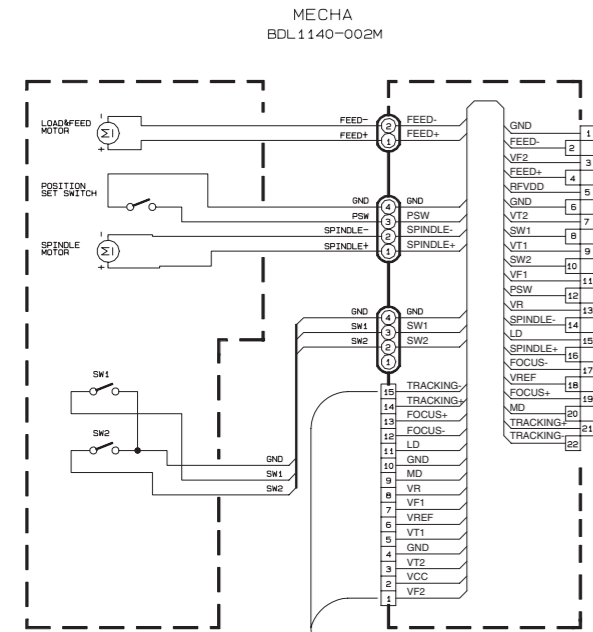


# Standard schematic diagrams (For UT2, UH2, UN2 and U2 version)

## Main amplifier section



CD servo control section



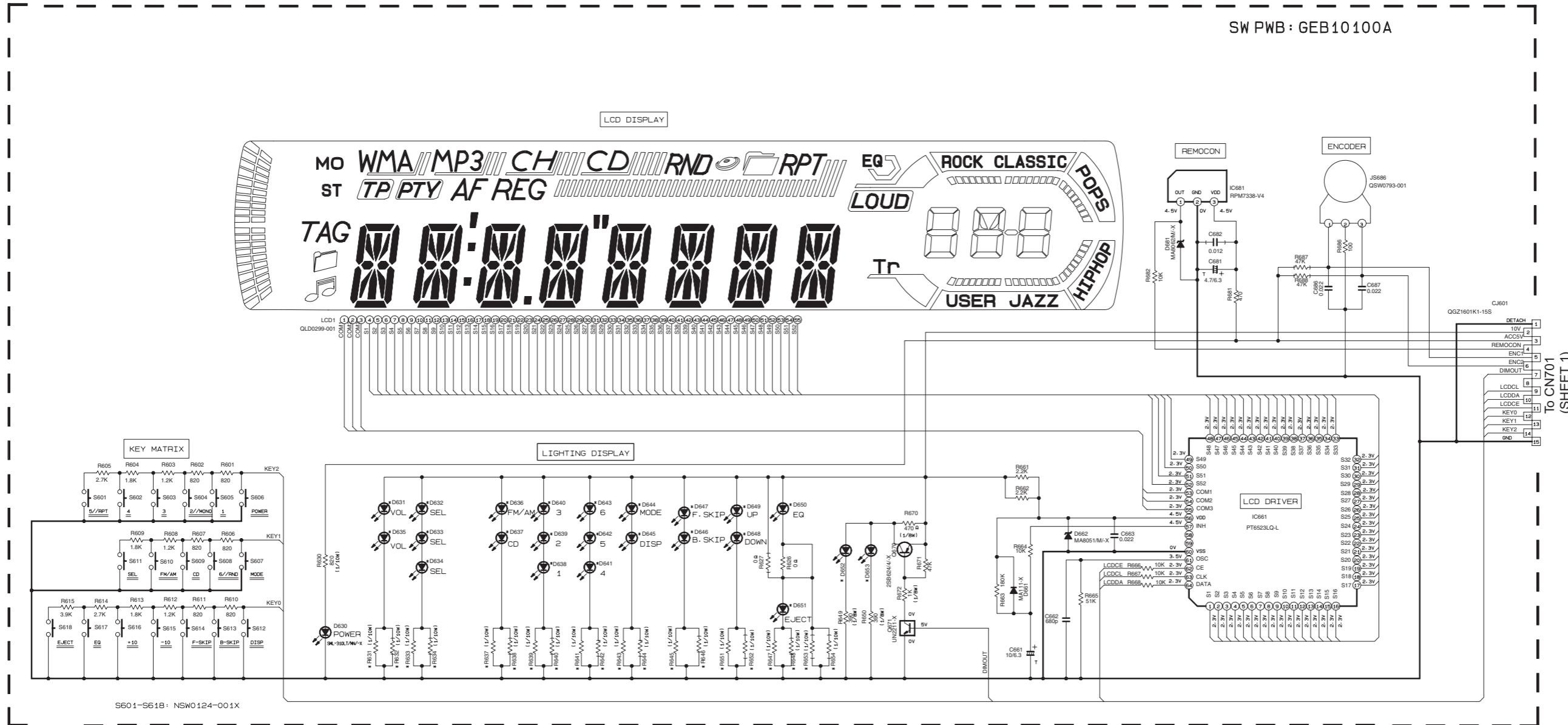
NOTES:  
1. VOLTAGE ARE DC-MEASURED WITH A DIGITAL VOLT-METER WITHOUT INPUT SIGNAL CONDITION --- CD MODE.  
2. UNLESS OTHERWISE SPECIFIED.  
ALL RESISTOR ARE 1/16W ± 5% METAL GLAZE RESISTOR.  
ALL CAPACITOR ARE 50V OR 25V CERAMIC CAPACITOR.  
ALL RESISTANCE VALUES ARE IN OHM  
ALL CAPACITANCE VALUES ARE IN UF (p=PF).  
ALL E- CAPACITORS ARE SHOWN IN THE FORM OF CAPACITANCE (UF)/RATED VOLTAGE (V)

(SHEET 1)

MODEL  
KD-AR360J2, KD-G310J2  
KD-G465U2 SERIES

■ LCD & Key control section

SW PWB : GEB10100A

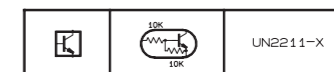


S601-S618: NSW0124-001X

\*REMARKS

	MODEL	KD-G310J2 KD-G465U2 SERIES	KD-AR360J2
	LCD1	QLD0299-001	QLD0299-001
	D631-D635, D638-D643, D646-D651	SML-310VT/JK/-X	SML-310VT/JK/-X
FM/AM & CD	D636, D637	SML-310VT/JK/-X	LNJ308G81/1-3/X
MODE & DISP	D644, D645	SML-310VT/JK/-X	SML-310VT/JK/-X
	D652, D653	NSPW310BS/BRS/	NSPW310BS/BRS/
POWER	R630	820	820
VOL	R631	470	470
SEL	R633	680	680
FM/AM & CD	R637	820	470
1, 2, 3	R639	330	330
4, 5, 6	R641	330	330
MODE & DISP	R643	470	470
(>>1, 1<<)	R645	470	470
EQ, E.J	R647	470	470
(UP, DOWN)	R651	470	470

SML-310VT/JK/-X = RED LED  
LNJ308G81/1-3/X = GREEN LED



NOTES

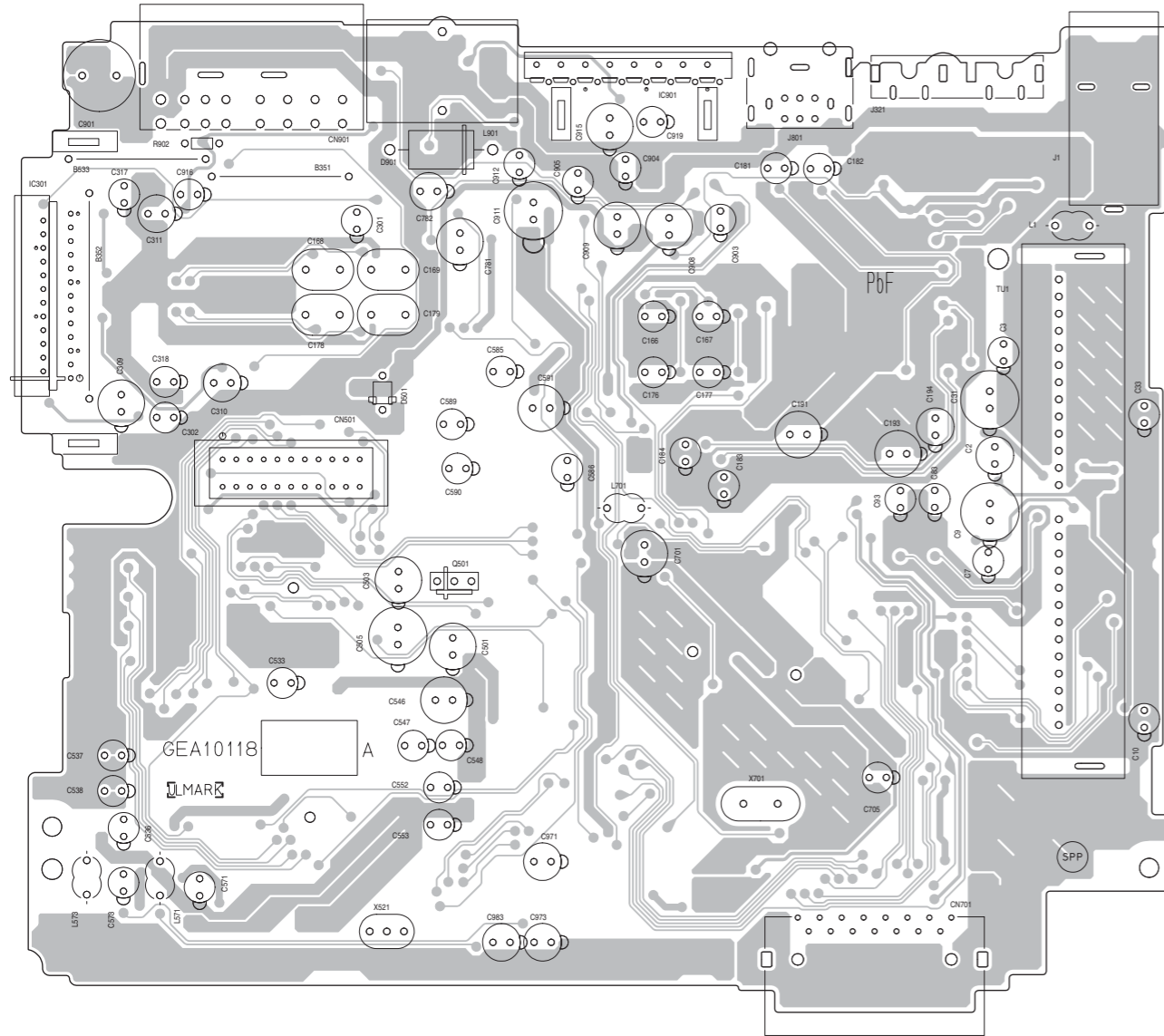
- VOLTAGES ARE DC-MEASURED WITH A DIGITAL VOLT METER WITHOUT INPUT SIGNAL.
- UNLESS OTHERWISE SPECIFIED.  
ALL RESISTORS ARE 1/16W ±5% METAL GLAZE RESISTOR.  
ALL CAPACITORS ARE 50V OR 25V CERAMIC CAPACITOR.  
ALL RESISTANCE VALUES ARE IN OHM.  
ALL CAPACITANCE VALUES ARE IN uF(P=PF)  
ALL E-CAPACITORS ARE SHOWN IN THE FORM OF CAPACITANCE(uF)/RATED VOLTAGE(V)  
T --- TANTALUM CAPACITOR.
- COMPONENTS IN ( ) INDICATE NOT USE.

KD-AR360J2, KD-G310J2  
KD-G465U2 SERIES

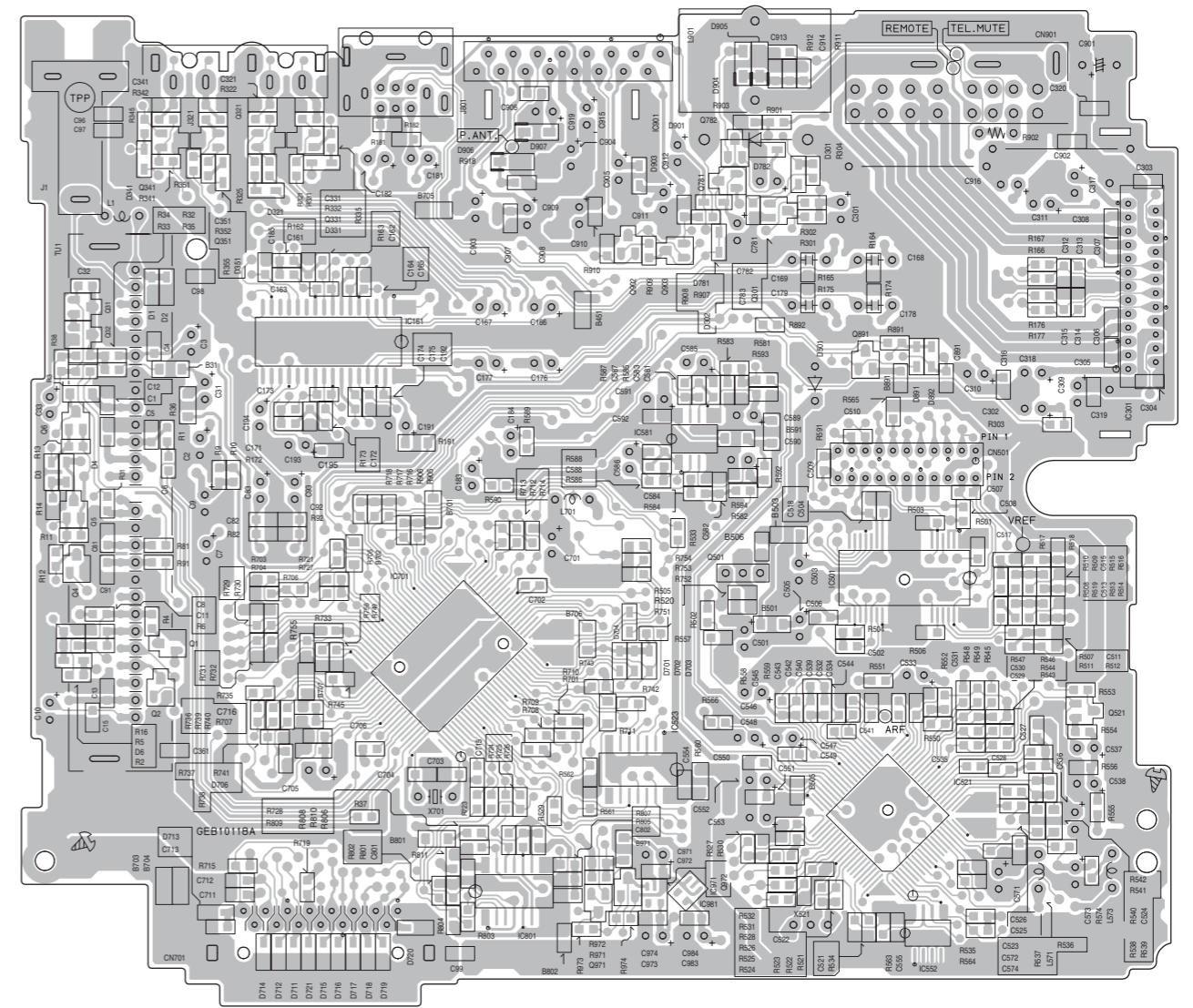
# Printed circuit boards (For UT2, UH2, UN2 and U2 version)

## ■ Main board

Forward side

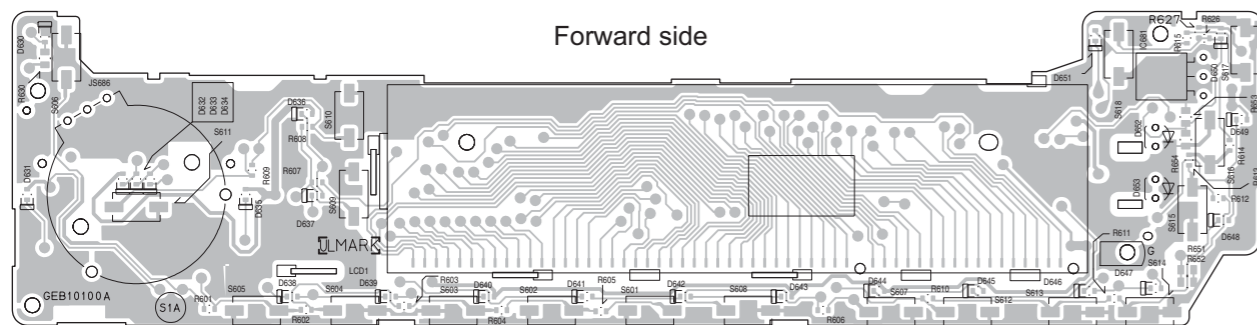


Reverse side

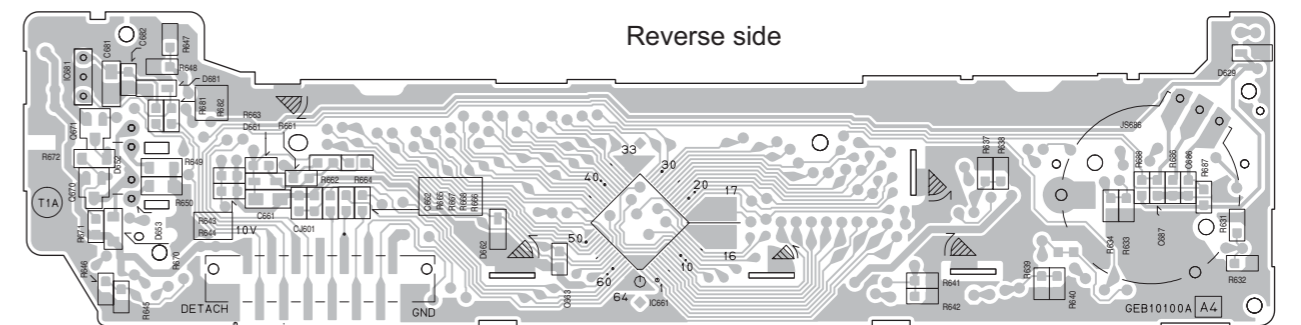


## ■ Switch board

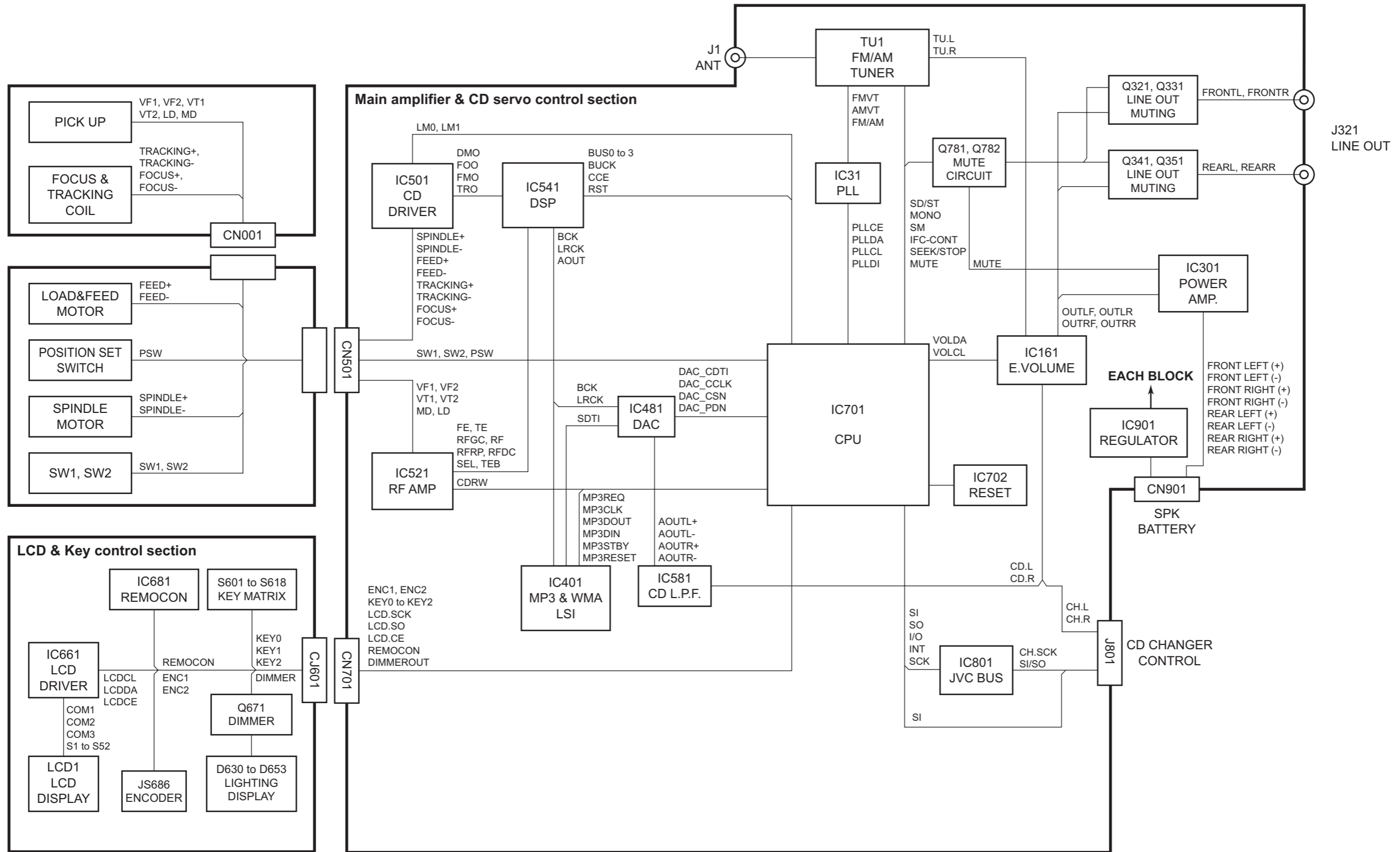
Forward side



Reverse side



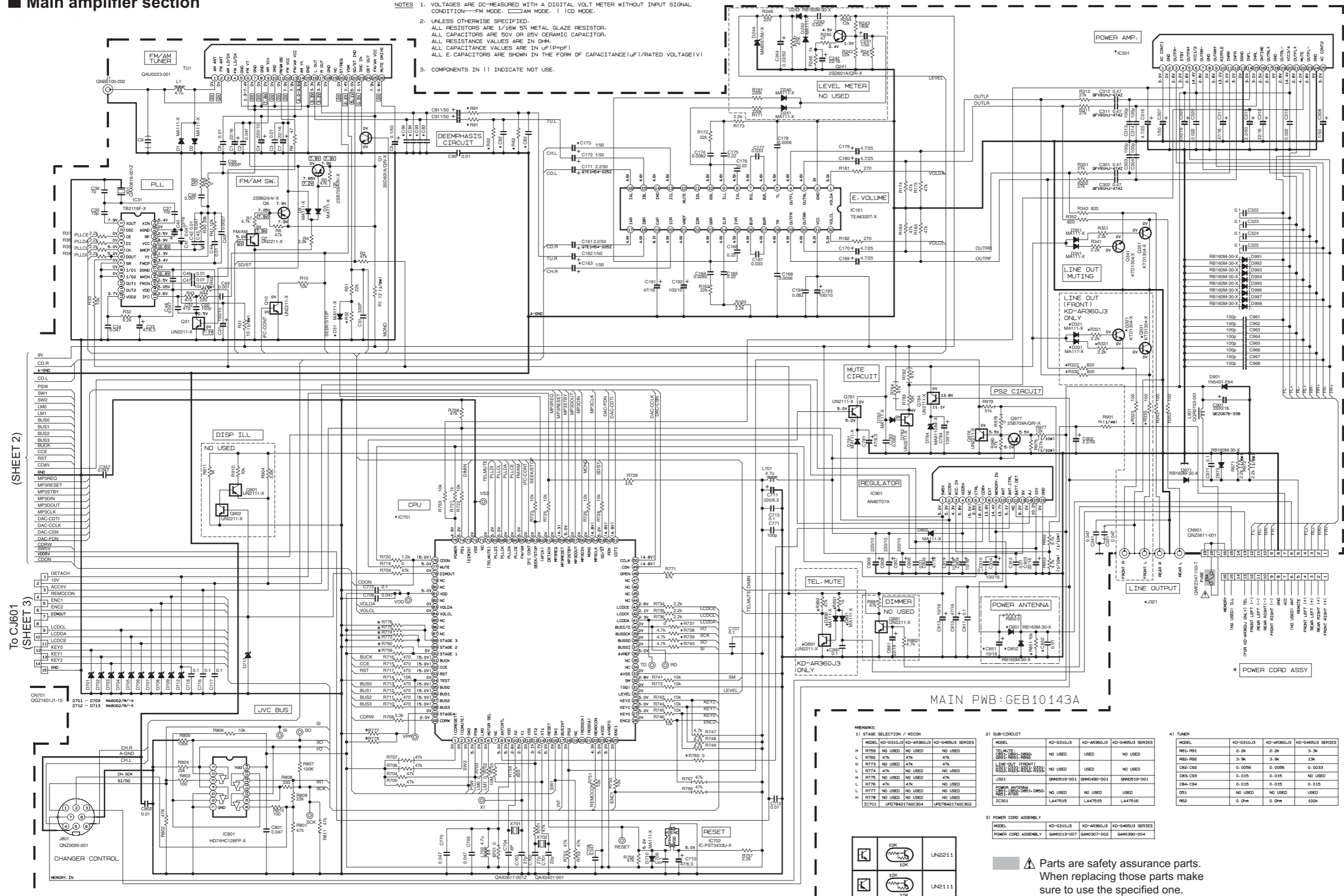
# Block diagram (For UH3, UN3 and U3 version)



# Standard schematic diagrams (For UH3, UN3 and U3 version)

## Main amplifier section

- NOTES  
 1. VOLTAGES ARE DC-MEASURED WITH A DIGITAL VOLT METER WITHOUT INPUT SIGNAL CONDITION—FM MODE.  AM MODE. (  ) CD MODE.  
 2. UNLESS OTHERWISE SPECIFIED:  
 ALL RESISTORS ARE 1/16W 5% METAL GLAZE RESISTOR.  
 ALL CAPACITORS ARE 50V OR 25V CERAMIC CAPACITOR.  
 ALL RESISTANCE VALUES ARE IN OHM.  
 ALL CAPACITANCE VALUES ARE IN uF [pHpF]  
 ALL CAPACITANCE VALUES ARE IN OHM.  
 ALL E-CAPACITORS ARE SHOWN IN THE FORM OF CAPACITANCE(uF)/RATED VOLTAGE(V)  
 3. COMPONENTS IN ( ) INDICATE NOT USE.



(SHEET 2)  
To CJ601 (SHEET 3)

REMARKS

1) STAGE SELECTION / MICON	MODEL KD-G310J3	KD-AR360J3	KD-G465J3 SERIES
H	R799 NO USED	NO USED	NO USED
L	R760 47k	47k	47k
L	R773 NO USED	47k	47k
L	R774 47k	NO USED	NO USED
L	R775 NO USED	NO USED	47k
L	R776 47k	47k	NO USED
L	R777 NO USED	NO USED	NO USED
L	R778 NO USED	NO USED	NO USED
H	IC701 UP78A217AGC304	UP78A217AGC302	

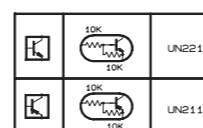
2) SUB-CIRCUIT	MODEL KD-G310J3	KD-AR360J3	KD-G465J3 SERIES
TEL. MUTE	NO USED	USED	NO USED
LINE OUT (FRONT)	NO USED	NO USED	NO USED
POWER ANTENNA	QAN0519-001	QAN0490-001	QAN0519-001
IC301	LA47515	LA47515	LA47516

4) TUNER	MODEL KD-G310J3	KD-AR360J3	KD-G465J3 SERIES
RF1-RF1	2.2k	2.2k	3.3k
RF2-RF2	3.9k	3.9k	13k
CR2-CR2	0.0056	0.0056	0.0033
CR3-CR3	0.015	0.015	NO USED
CR4-CR4	0.015	0.015	0.015
DS1	NO USED	NO USED	USED
RS2	0 Ohm	0 Ohm	100k

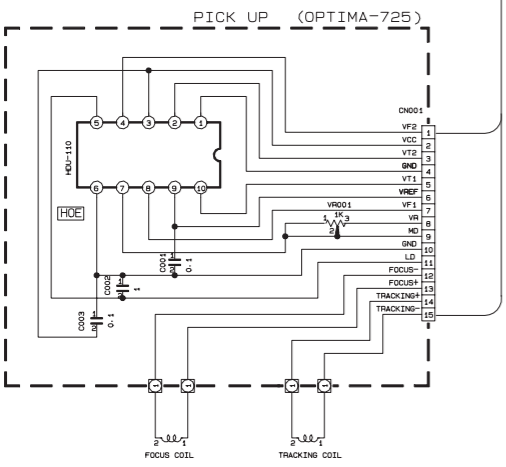
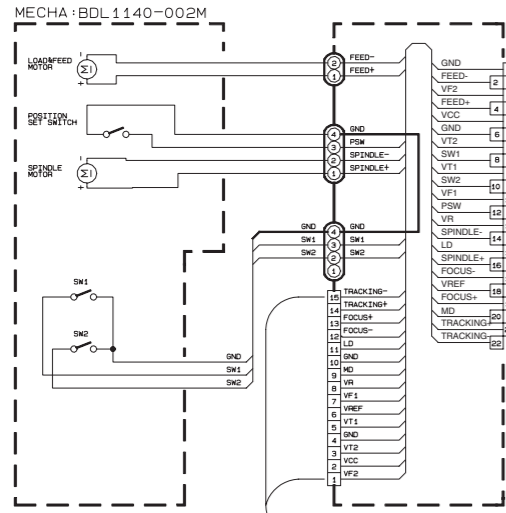
3) POWER CORD ASSEMBLY  
 MODEL KD-G310J3 KD-AR360J3 KD-G465J3 SERIES  
 POWER CORD ASSEMBLY GAN013-007 GAN0307-002 GAN0390-004

\* POWER CORD ASSY

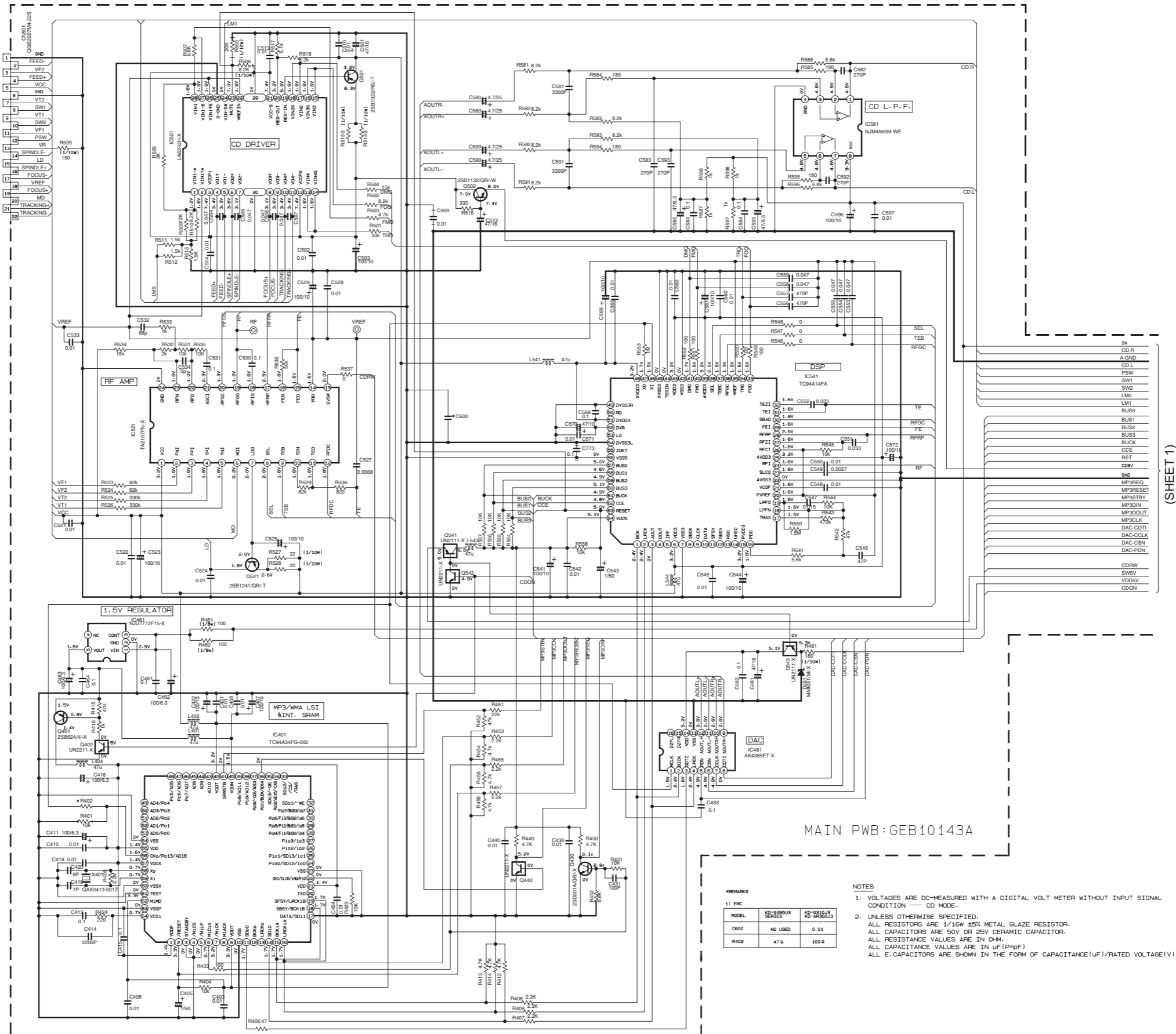


Parts are safety assurance parts. When replacing those parts make sure to use the specified one.

■ CD servo control section



	10K	UN2211
	10K	UN2111
	10K	UN2111
	10K	UN2111



(SHEET 1)

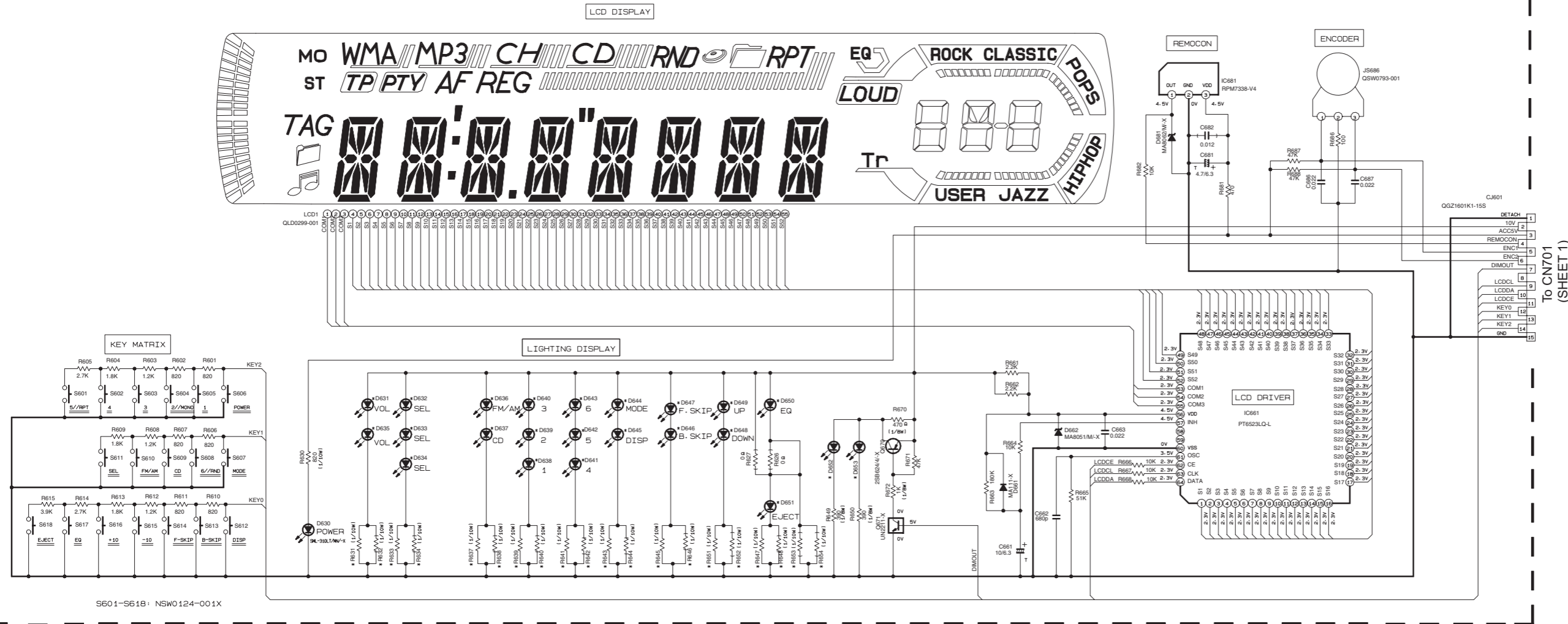
REMARKS

MODEL	NO-64ERU3	NO-6310-U3
0600	NO USED	0.01
R402	47 Ω	100 Ω

- NOTES
- VOLTAGES ARE DC-MEASURED WITH A DIGITAL VOLT METER WITHOUT INPUT SIGNAL CONDITION --- CD MODE.
  - UNLESS OTHERWISE SPECIFIED.  
ALL RESISTORS ARE 1/16W ±5% METAL GLAZE RESISTOR.  
ALL CAPACITORS ARE 50V OR 25V CERAMIC CAPACITOR.  
ALL RESISTANCE VALUES ARE IN OHM.  
ALL CAPACITANCE VALUES ARE IN UF(P=PF)  
ALL E-CAPACITORS ARE SHOWN IN THE FORM OF CAPACITANCE(UF)/RATED VOLTAGE(V)

■ LCD & Key control section

SW PWB : GEB10100A

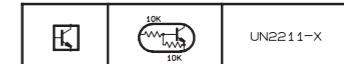


S601-S618 : NSW0124-001X

\*REMARKS

MODEL	KD-G310J3, KD-G465U3 SERIES	KD-AR360J3
LCD1	QLD0299-001	QLD0299-001
D631-D635, D638-D643, D646-D651	SML-310VT/JK/-X	SML-310VT/JK/-X
FM/AM & CD	D636, D637	SML-310VT/JK/-X
MODE & DISP	D644, D645	SML-310VT/JK/-X
POWER	D652, D653	NSPW310BS/BRS/
VOL	R630	820
SEL	R631	470
FM/AM & CD	R633	680
1. 2-3	R639	330
4. 5-6	R641	330
MODE & DISP	R643	470
(>>1.1<<)	R645	470
EQ, EJECT	R647	470
(UP, DOWN)	R651	470

SML-310VT/JK/-X = RED LED  
LNJ308G81/1-3/X = GREEN LED



NOTES

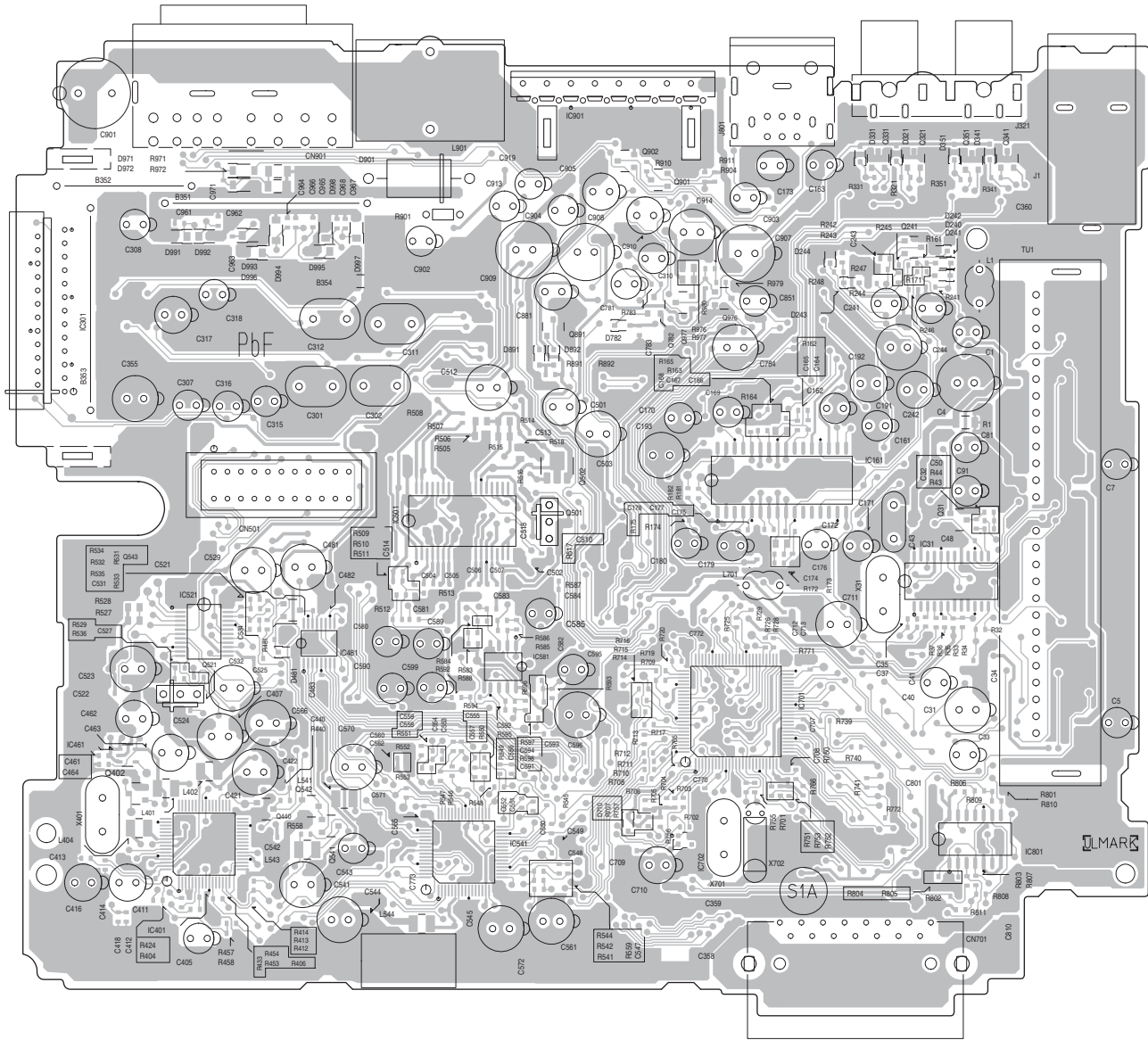
- VOLTAGES ARE DC-MEASURED WITH A DIGITAL VOLT METER WITHOUT INPUT SIGNAL.
- UNLESS OTHERWISE SPECIFIED, ALL RESISTORS ARE 1/16W 5% METAL GLAZE RESISTOR. ALL CAPACITORS ARE 50V OR 25V CERAMIC CAPACITOR. ALL RESISTANCE VALUES ARE IN OHM. ALL CAPACITANCE VALUES ARE IN uF(P=PF) ALL E. CAPACITORS ARE SHOWN IN THE FORM OF CAPACITANCE(uF)/RATED VOLTAGE(V) T --- TANTALUM CAPACITOR.
- COMPONENTS IN ( ) INDICATE NOT USE.



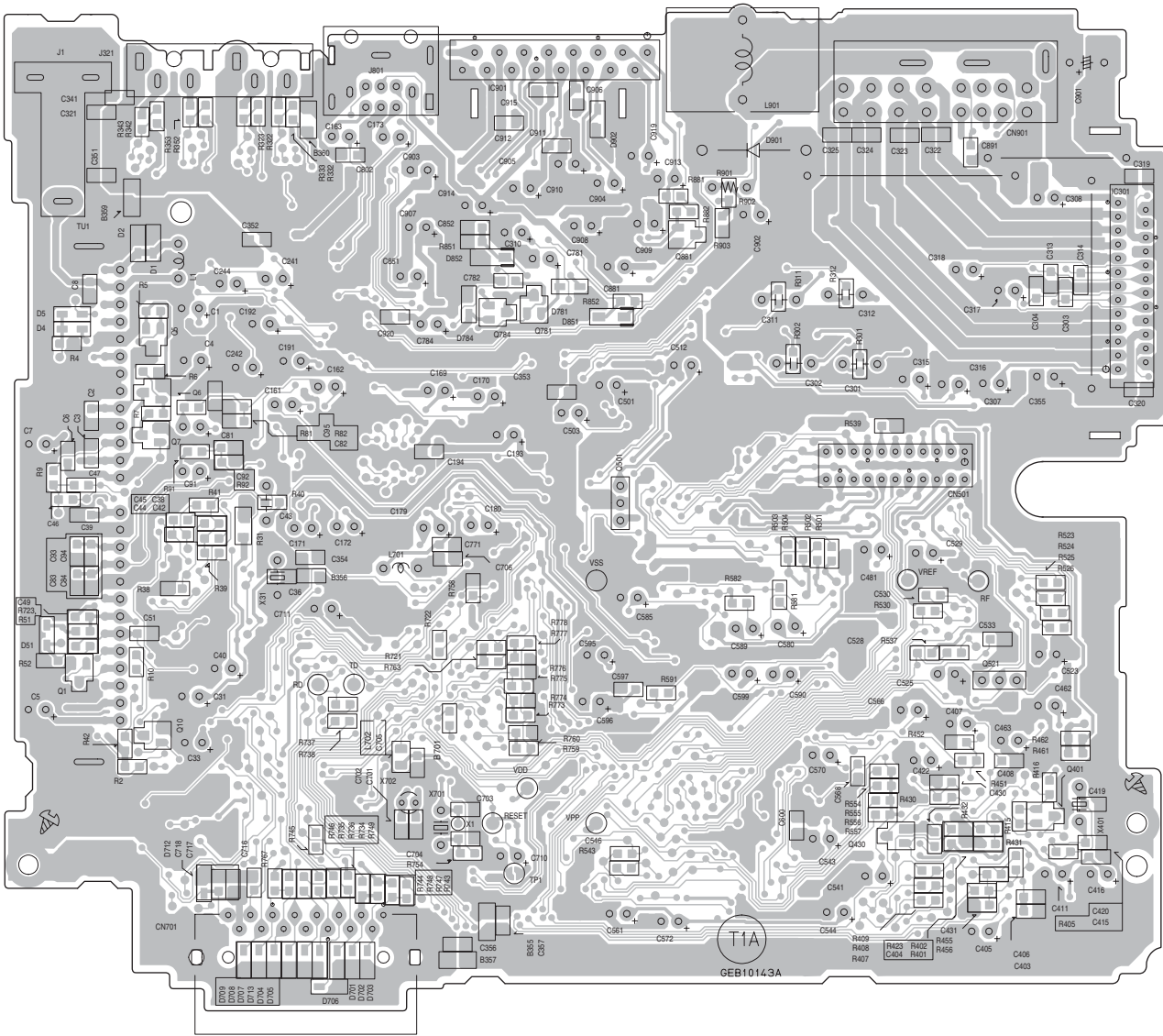
# Printed circuit boards (For UH3, UN3 and U3 version)

## ■ Main board

Forward side

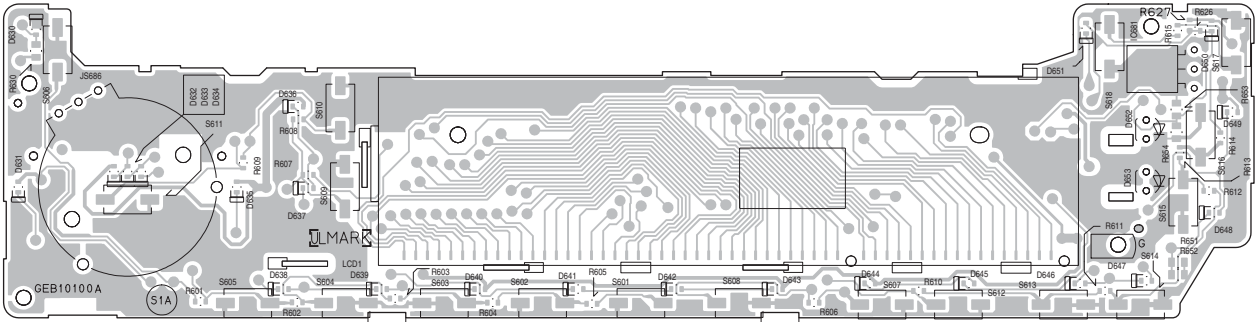


Reverse side

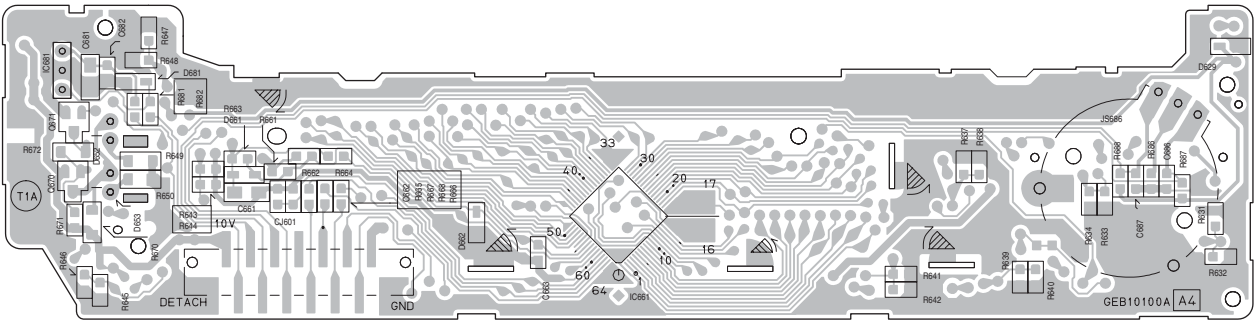


# Switch board (Common)

Forward side



Reverse side



**JVC**

Victor Company of Japan, Limited

AV & MULTIMEDIA COMPANY CAR ELECTRONICS CATEGORY 10-1,1chome,Ohwatari-machi,Maebashi-city,371-8543,Japan

(No.MA137SCH)



Printed in Japan  
VPT

# PARTS LIST

[KD-G465]

\* All printed circuit boards and its assemblies are not available as service parts.

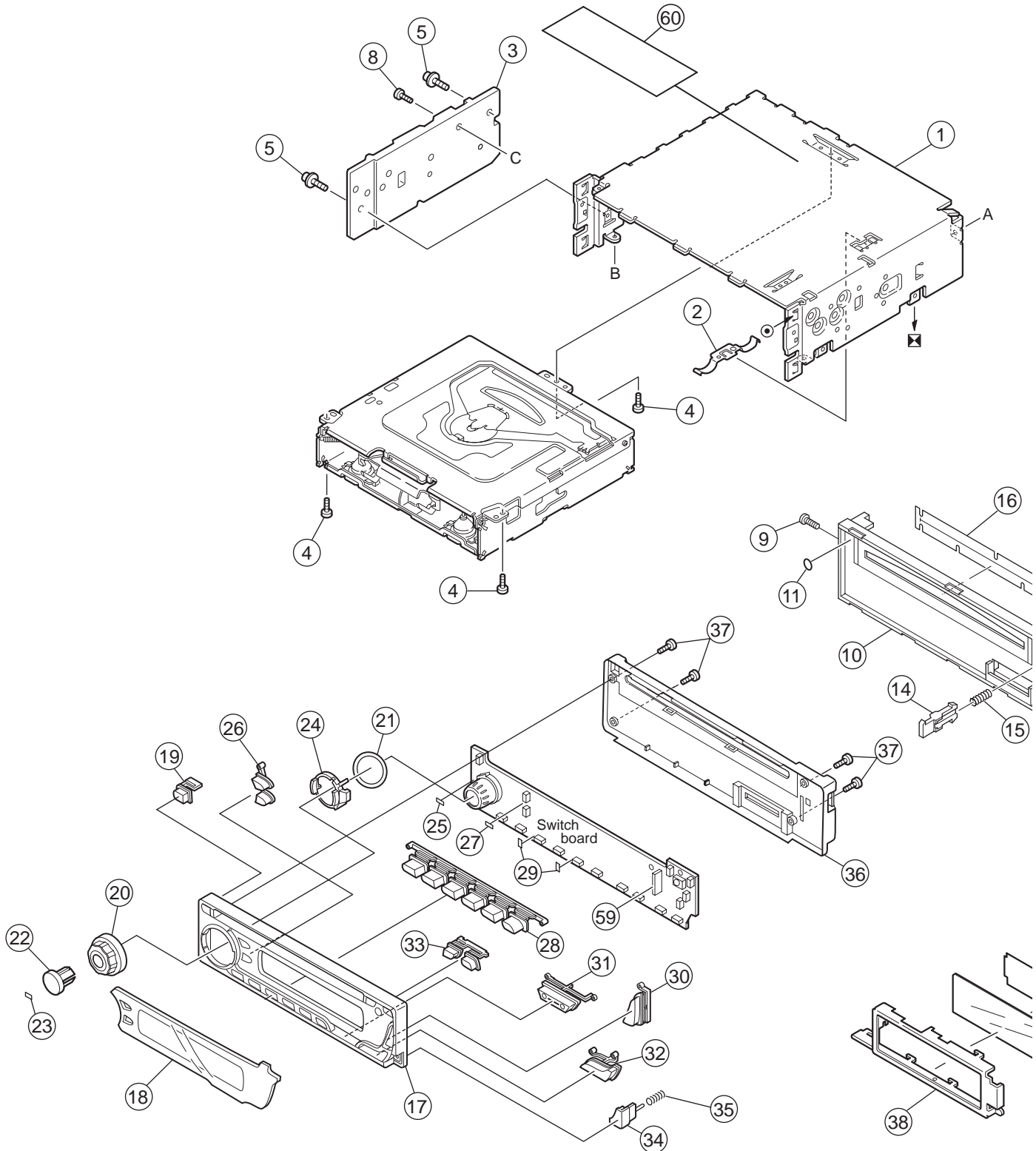
Area suffix	
UT	Taiwan
UH	Thailand
UN	Indonesia
U	Other Areas

- Contents -

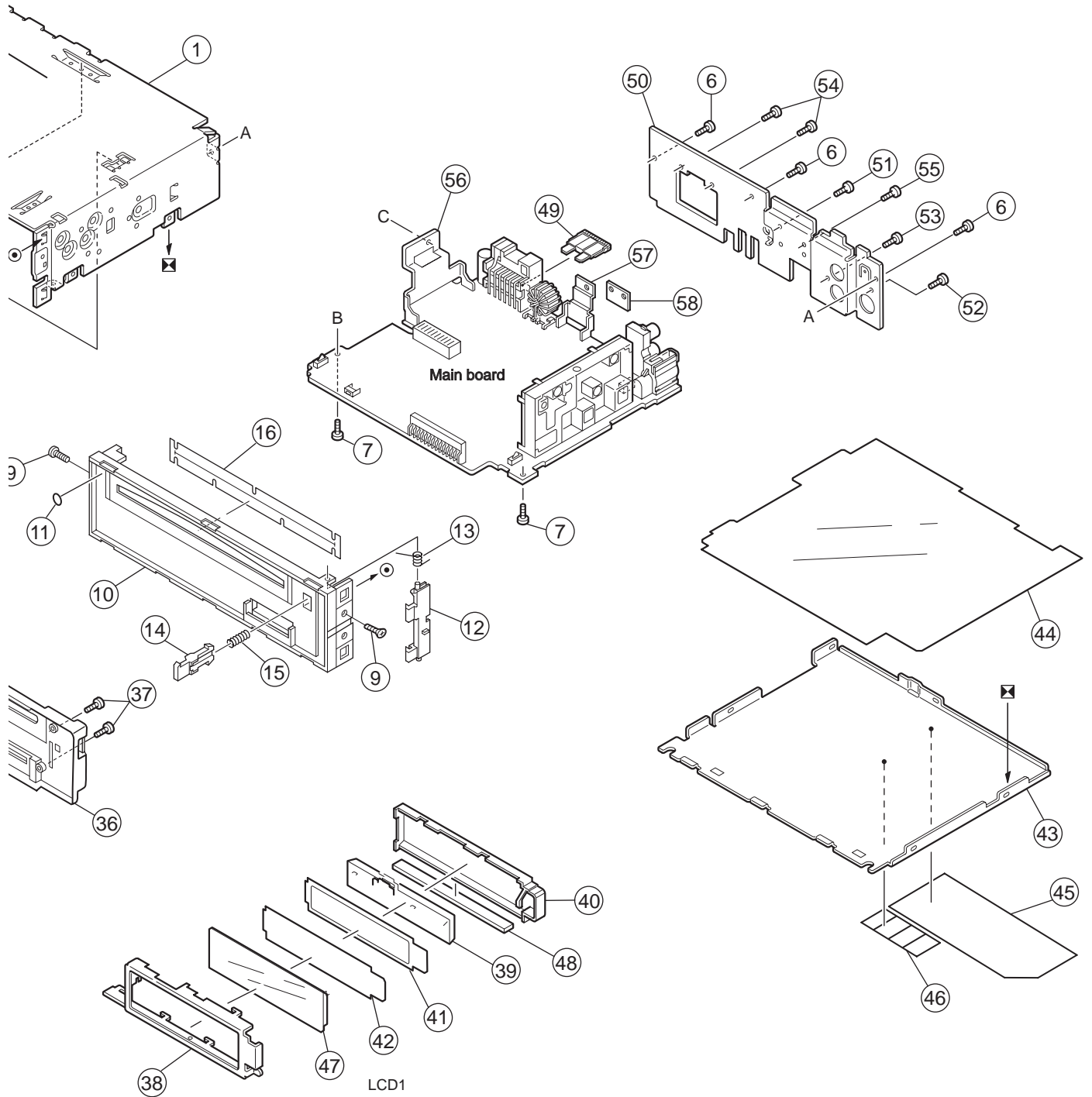
Exploded view of general assembly and parts list (Block No.M1)	3-2
CD mechanism assembly and parts list (Block No.MB)	3-5
Electrical parts list (Block No.01,02) (KD-G465_UT,UH,UN,U)	3-7
Electrical parts list (Block No.03,04) (KD-G465_UT2,UH2,UN2,U2)	3-11
Electrical parts list (Block No.05,06) (KD-G465_UH3,UN3,U3)	3-14
Packing materials and accessories parts list (Block No.M3)	3-20

# Exploded view of general assembly and parts list

Block No. M 1 M M



No. M 1 M M



# General Assembly

Block No. [M][1][M][M]

Symbol No.	Part No.	Part Name	Description	Local
1	GE10043-210A	TOP CHASSIS		
2	GE40135-001A	EARTH PLATE		
3	GE30938-003A	SIDE PANEL		
4	QYSDST2604ZA	TAP SCREW	M2.6 x 4mm(x3)	
5	GE40235-001A	SCREW	(x2)	
6	QYSDST2604ZA	TAP SCREW	M2.6 x 4mm(x3)	
7	GE40235-004A	SCREW	(x2)	
8	QYSDST2610ZA	TAP SCREW	M2.6 x 10mm	
9	QYSDST2004ZA	TAP SCREW	M2 x 4mm(x2)	
10	GE10079-007A	FRONT CHASSIS		
11	FSYH4036-098	SHEET		
12	GE31033-001A	LOCK LEVER		
13	FSKW4005-003	TORSION SPRING		
14	GE31034-001A	RLS KNOB		
15	GE40202-005A	COMPRESSION SPRING		
16	GE40156-001A	BLIND		
17	GE10077-003A	FRONT PANEL		
18	GE31031-045A	FINDER ASSY		
19	GE31027-001A	POWER BUTTON		
20	GE31038-004A	VOLUME KNOB		G465U2
20	GE31576-002A	VOLUME KNOB		G465U, G465U3, G465UH, G465UH2, G465UH3, G465UN, G465UN2, G465UN3, G465UT, G465UT2
21	GE40218-002A	SHEET		
22	GE31039-005A	SEL BUTTON		
23	FSYH4036-053	SHEET		
24	GE31040-001A	RIM LENS		
25	FSYH4036-069	SHEET		
26	GE31181-007A	D6		
27	FSYH4036-069	SHEET		
28	GE20161-003A	PRESET BTN		
29	FSYH4036-069	SHEET	(x2)	
30	GE31024-008A	UP/DOWN BUTTON		
31	GE31028-003A	SSM BTN		
32	GE31025-004A	SEARCH BTN		
33	GE31026-001A	EJECT BUTTON		
34	GE31032-003A	DETACH BTN		
35	GE40202-003A	COMPRESSION SPRING		
36	GE10078-007A	REAR COVER		
37	VKZ4777-010	MINI SCREW	(x4)	
38	GE31021-001A	LCD CASE		
39	GE31022-002A	LCD LENS		
40	GE31023-001A	LENS CASE		
41	GE40199-001A	LIGHTING SHEET		
42	GE40199-002A	LIGHTING SHEET		
43	GE30393-002A	BOTTOM COVER		
44	FSMA3004-203	INSULATOR		
45	GE31618-003A	NAME PLATE		G465U3, G465UH3, G465UN3
45	GE31618-001A	NAME PLATE		G465U, G465UH, G465UN, G465UT
45	GE31618-002A	NAME PLATE		G465U2, G465UH2, G465UN2, G465UT2
46	LV41843-002A	LASER CAUTION		
47	QLD0299-001	LCD MODULE		
48	QNZ0443-001	LCD CONNECTOR		
49	QMFZ047-150-T	FUSE	15A	
50	GE30912-019A	REAR BRACKET		
51	QYSDST2606ZA	TAP SCREW	M2.6 x 6mm	
52	QYSDST2606ZA	TAP SCREW	M2.6 x 6mm	
53	QYSDSF2606ZA	TAP SCREW	M2.6 x 6mm	
54	QYSDSF2606ZA	TAP SCREW	M2.6 x 6mm(x2)	
55	QYSDST2606ZA	TAP SCREW	M2.6 x 6mm	
56	GE40172-004A	IC BRACKET		
57	GE40103-003A	REG BRACKET		
58	GE40107-002A	HEAT SINK		
59	GE30854-001A	LED HOLDER		
60	GE31574-010A	UT LABEL		G465UT, G465UT2

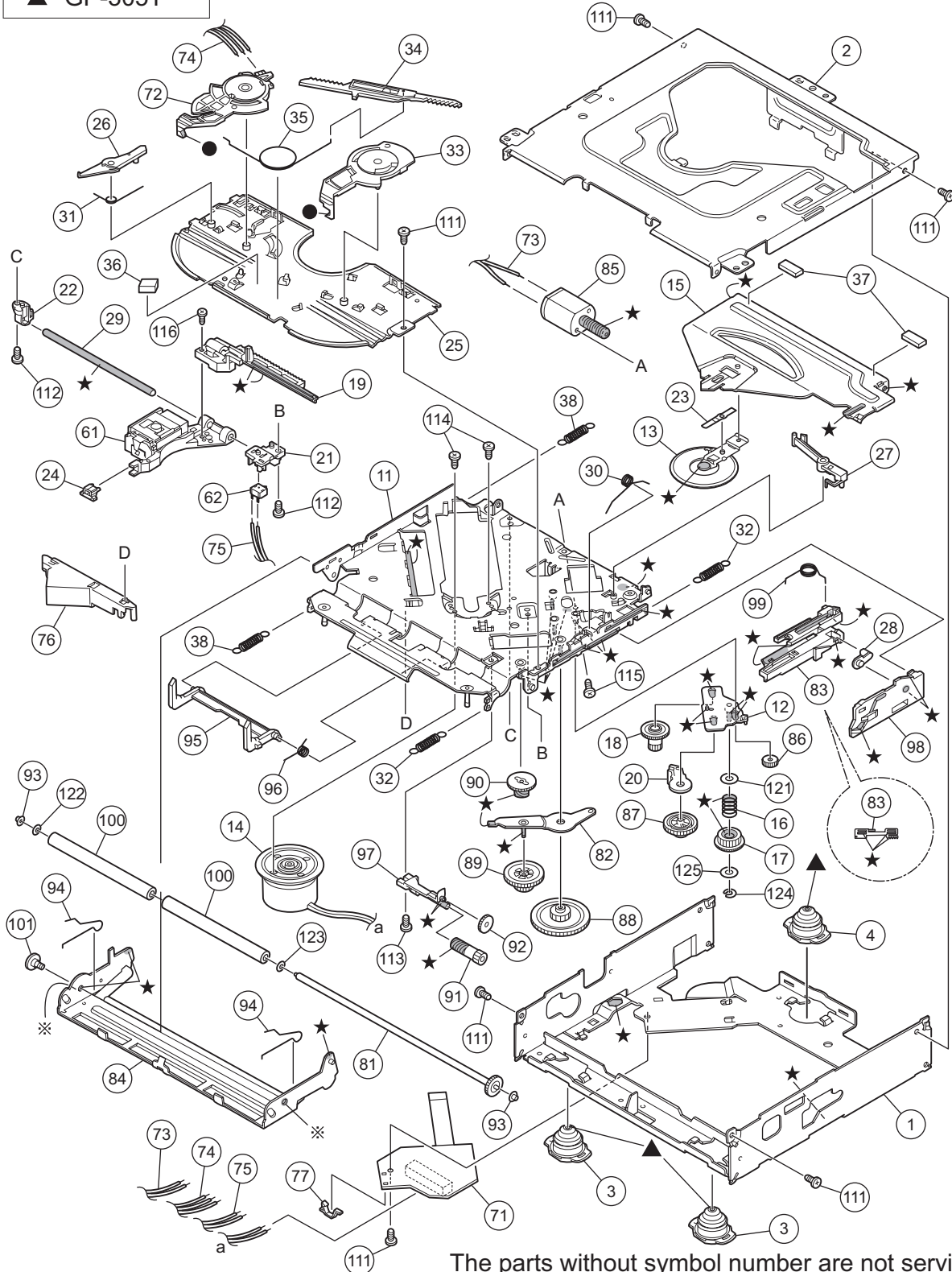


# CD mechanism assembly and parts list

Block No. **M B M M**

- Grease
- ★ TNG-87
  - ※ GP-501MK
  - CFD-005Z
  - ▲ GP-305T

TN-2001-1011



# CD mechanism

Block No. [M][B][M][M]

△	Symbol No.	Part No.	Part Name	Description	Local
	1	30320101T	FRAME		
	2	30320102T	TOP COVER		
	3	30320115T	DANPER F		
	4	30320116T	DANPER R		
	11	303205505T	CHASSIS RIVET		
	12	303205503T	CHANGE P. RVT A		
	13	303205301T	CLAMPER ASS'Y		
	14	303205302T	SPINDLE MOTOR A		
	15	30320502T	CLAMPER ARM		
	16	30320503T	CHANGE GEAR SPG		
	17	30320505T	CHANGE GEAR 2		
	18	30320506T	FEED GEAR		
	19	30320507T	FEED RACK		
	20	30320509T	CHANGE LOCK RAR		
	21	30320510T	FEED SW HOLDER		
	22	30320511T	PU SHAFT HOLDER		
	23	30320513T	CLAMPER SUB SPG		
	24	30320514T	FD SUB HOLDER		
	25	30320518T	TOP PLATE		
	26	30320519T	SELECT LOCK ARM		
	27	30320520T	TRIGGER ARM		
	28	30320521T	SLIDE HOOK		
	29	30320522T	PU SHAFT		
	30	30320525T	CLAMPER ARM SPG		
	31	30320526T	SELECT L ARM SP		
	32	30320538T	SUSPENSION SP R		
	33	30320529T	SELECT ARM R		
	34	30320530T	LINK PLATE		
	35	30320531T	LINK PLATE SPG		
	36	30320523T	CUSHION F		
	37	30320524T	CUSHION R		
	38	30320539T	SUSPENSION SP L		
	61	69011614T	PICKUP OPT-725		
	62	64180406T	DET SW ESE22		
	71	303210301T	CONN PWB ASS'Y		
	72	30321002T	MODE SW		
	73	30321003T	LOAD MOTOR WIRE		
	74	30321005T	MODE SW WIRE		
	75	30321009T	SL WIRE		
	76	30321011T	WIRE HOLDER		
	77	19501403T	WIRE CLUMPER		
	81	303211301T	ROLLER SHAFT AS		
	82	303211501T	L GEAR PLATE RV		
	83	303211302T	LOADING PLATE A		
	84	303211502T	LOCK ARM RV ASS		
	85	303211303T	L/F MOTOR ASSY		
	86	30321101T	LOADING GEAR 1		
	87	30321102T	LOADING GEAR 2		
	88	30321103T	LOADING GEAR 3		
	89	30321104T	LOADING GEAR 4		
	90	30321105T	LOADING GEAR 5		
	91	30321106T	LOADING GEAR 6		
	92	30321107T	LOADING GEAR 7		
	93	30321149T	ROLLER GUIDE		
	94	30321114T	ROLLER GUIDE SP		
	95	30321116T	DISC STOPPER AR		
	96	30321117T	DISC ST ARM SPG		
	97	30321118T	LD GEAR BRACKET		
	98	30321125T	L SIDE PLATE		
	99	30321131T	LOAD PLATE SPG		
	100	30321133T	LDG ROLLER		
	101	18211223T	COLLAR SCREW		
	111	9P0420031T	SCREW		
	112	9P0420041T	TAP.SCREW		
	113	9B0320041T	SCREW		
	114	9C0117183T	SCREW		
	115	9C0120203T	SCREW		
	116	9C0317503T	SCREW		
	121	9W0130170T	PW 3.5X8X0.3		
	122	9W0513060T	HL WASHER		
	123	9W0710070T	L WASHER		
	124	9E0100152T	E RING		
	125	9W0113020T	PW 2.1X4X0.13		

# Electrical parts list

## Main board (KD-G465\_UT,UH,UN,U)

Block No. [0][1]

△ Symbol No.	Part No.	Part Name	Description	Local
IC31	TB2118F-X	PLL IC		
IC161	TEA6320T-X	IC		
IC301	LA47516	POWER IC		
IC401	TC94A34FG-002	IC		
IC461	NJU7772F15-X	IC		
IC481	AK4385ET-X	IC		
IC501	LA6242H-X	IC		
IC521	TA2157FN-X	RF AMP IC		
IC541	TC94A14FA	CD LSI IC		
IC581	NJM4565M-WE	IC		
IC701	UPD784217AGC302	IC		
IC702	IC-PST3433U-X	IC		
IC801	HD74HC126FP-X	IC		
IC901	AN80T07A	REGULATOR IC		
Q1	2SD601A/QR/-X	TRANSISTOR		
Q5	2SB709A/R/-X	TRANSISTOR		
Q6	2SB624/4/-X	TRANSISTOR		
Q7	UN2211-X	TRANSISTOR		
Q10	UN2211-X	TRANSISTOR		
Q31	UN2211-X	TRANSISTOR		
Q341	KTD1304-X	TRANSISTOR		
Q351	KTD1304-X	TRANSISTOR		
Q401	2SB624/4/-X	TRANSISTOR		
Q402	UN2211-X	TRANSISTOR		
Q430	2SD601A/QR/-X	TRANSISTOR		
Q440	UN2211-X	TRANSISTOR		
Q501	2SB1322/RS/-T	TRANSISTOR		
Q502	2SB1132/QR/-W	TRANSISTOR		
Q521	2SB1241/QR/-T	TRANSISTOR		
Q541	UN2111-X	TRANSISTOR		
Q542	UN2211-X	TRANSISTOR		
Q543	UN2111-X	TRANSISTOR		
Q781	UN2111-X	TRANSISTOR		
Q782	UN2211-X	TRANSISTOR		
Q784	UN2111-X	TRANSISTOR		
Q976	UN2211-X	TRANSISTOR		
Q977	2SB709A/QR/-X	TRANSISTOR		
D1	MA111-X	SI DIODE		
D2	MA111-X	SI DIODE		
D4	MA111-X	SI DIODE		
D5	MA111-X	SI DIODE		
D51	MA111-X	SI DIODE		
D341	MA111-X	SI DIODE		
D351	MA111-X	SI DIODE		
D481	MA8051/M/-X	Z DIODE		
D701	MA8062/M/-X	Z DIODE		
D702	MA8062/M/-X	Z DIODE		
D703	MA8062/M/-X	Z DIODE		
D704	MA8062/M/-X	Z DIODE		
D705	MA8062/M/-X	Z DIODE		
D706	MA8062/M/-X	Z DIODE		
D707	MA8062/M/-X	Z DIODE		
D708	MA8062/M/-X	Z DIODE		
D709	MA8062/M/-X	Z DIODE		
D710	MA111-X	SI DIODE		
D712	MA8062/M/-X	Z DIODE		
D713	MA8062/M/-X	Z DIODE		
D781	MA111-X	SI DIODE		
D782	MA111-X	SI DIODE		
D784	MA8110/M/-X	Z DIODE		
D851	RB160M-30-X	SB DIODE		
D852	RB160M-30-X	SB DIODE		
D901	1N5401-F64	DIODE		
D902	MA111-X	SI DIODE		
D971	RB160M-30-X	SB DIODE		
D972	RB160M-30-X	SB DIODE		
C1	QEKJ1CM-226Z	E CAPACITOR	22uF 16V M	
C2	NCB31EK-473X	C CAPACITOR	0.047uF 25V K	
C3	NCB31EK-103X	C CAPACITOR	0.01uF 25V K	

△ Symbol No.	Part No.	Part Name	Description	Local
C4	QEKJ1AM-227Z	E CAPACITOR	220uF 10V M	
C5	QERF1HM-104Z	E CAPACITOR	0.1uF 50V M	
C6	NCB31HK-103X	C CAPACITOR	0.01uF 50V K	
C7	QEKJ1CM-226Z	E CAPACITOR	22uF 16V M	
C31	QEKJ1AM-107Z	E CAPACITOR	100uF 10V M	
C32	NDC31HJ-470X	C CAPACITOR	47pF 50V J	
C33	QEKJ0JM-476Z	E CAPACITOR	47uF 6.3V M	
C34	NCB31EK-473X	C CAPACITOR	0.047uF 25V K	
C35	NDC31HJ-100X	C CAPACITOR	10pF 50V J	
C36	NDC31HJ-7R0X	C CAPACITOR	7pF 50V J	
C37	NDC31HJ-100X	C CAPACITOR	10pF 50V J	
C38	NCB31HK-102X	C CAPACITOR	1000pF 50V K	
C39	NCB31HK-102X	C CAPACITOR	1000pF 50V K	
C40	QEKJ1CM-106Z	E CAPACITOR	10uF 16V M	
C41	NCB31EK-473X	C CAPACITOR	0.047uF 25V K	
C42	NCB31HK-103X	C CAPACITOR	0.01uF 50V K	
C43	QFV61HJ-473Z	MF CAPACITOR	0.047uF 50V J	
C44	NCB31HK-103X	C CAPACITOR	0.01uF 50V K	
C45	NCB31HK-272X	C CAPACITOR	2700pF 50V K	
C46	NCB31HK-103X	C CAPACITOR	0.01uF 50V K	
C47	NCB31HK-103X	C CAPACITOR	0.01uF 50V K	
C48	NCB31EK-473X	C CAPACITOR	0.047uF 25V K	
C49	NCB31HK-102X	C CAPACITOR	1000pF 50V K	
C50	NDC31HJ-101X	C CAPACITOR	100pF 50V J	
C51	NDC31HJ-331X	C CAPACITOR	330pF 50V J	
C81	QEKJ1HM-105Z	E CAPACITOR	1uF 50V M	
C82	NCB31HK-332X	C CAPACITOR	3300pF 50V K	
C84	NCB31HK-153X	C CAPACITOR	0.015uF 50V K	
C91	QEKJ1HM-105Z	E CAPACITOR	1uF 50V M	
C92	NCB31HK-332X	C CAPACITOR	3300pF 50V K	
C94	NCB31HK-153X	C CAPACITOR	0.015uF 50V K	
C161	QTE1H54-225Z	E CAPACITOR	2.2uF 50V	
C162	QEKJ1HM-105Z	E CAPACITOR	1uF 50V M	
C163	QEKJ1HM-105Z	E CAPACITOR	1uF 50V M	
C164	NCB31HK-822X	C CAPACITOR	8200pF 50V K	
C165	NCB31AK-224X	C CAPACITOR	0.22uF 10V K	
C166	NCB21CK-224X	C CAPACITOR	0.22uF 16V K	
C167	NCB31EK-333X	C CAPACITOR	0.033uF 25V K	
C168	NCB31HK-562X	C CAPACITOR	5600pF 50V K	
C169	QEKJ1EM-475Z	E CAPACITOR	4.7uF 25V M	
C170	QEKJ1EM-475Z	E CAPACITOR	4.7uF 25V M	
C171	QTE1H54-225Z	E CAPACITOR	2.2uF 50V	
C172	QEKJ1HM-105Z	E CAPACITOR	1uF 50V M	
C173	QEKJ1HM-105Z	E CAPACITOR	1uF 50V M	
C174	NCB31HK-822X	C CAPACITOR	8200pF 50V K	
C175	NCB31AK-224X	C CAPACITOR	0.22uF 10V K	
C176	NCB21CK-224X	C CAPACITOR	0.22uF 16V K	
C177	NCB31EK-333X	C CAPACITOR	0.033uF 25V K	
C178	NCB31HK-562X	C CAPACITOR	5600pF 50V K	
C179	QEKJ1EM-475Z	E CAPACITOR	4.7uF 25V M	
C180	QEKJ1EM-475Z	E CAPACITOR	4.7uF 25V M	
C191	QEKJ1CM-476Z	E CAPACITOR	47uF 16V M	
C192	QEKJ1AM-107Z	E CAPACITOR	100uF 10V M	
C193	QEKJ1AM-107Z	E CAPACITOR	100uF 10V M	
C194	NCB31EK-823X	C CAPACITOR	0.082uF 25V K	
C301	QFV91HJ-474Z	MF CAPACITOR	0.47uF 50V J	
C302	QFV91HJ-474Z	MF CAPACITOR	0.47uF 50V J	
C303	NDC31HJ-101X	C CAPACITOR	100pF 50V J	
C304	NDC31HJ-101X	C CAPACITOR	100pF 50V J	
C307	QEKJ1HM-105Z	E CAPACITOR	1uF 50V M	
C308	QEKJ1HM-105Z	E CAPACITOR	1uF 50V M	
C311	QFV91HJ-474Z	MF CAPACITOR	0.47uF 50V J	
C312	QFV91HJ-474Z	MF CAPACITOR	0.47uF 50V J	
C313	NDC31HJ-101X	C CAPACITOR	100pF 50V J	
C314	NDC31HJ-101X	C CAPACITOR	100pF 50V J	
C315	QEKJ1HM-225Z	E CAPACITOR	2.2uF 16V M	
C316	QEKJ1EM-475Z	E CAPACITOR	4.7uF 25V M	
C317	QEKJ1CM-476Z	E CAPACITOR	47uF 16V M	
C318	QEKJ1CM-226Z	E CAPACITOR	22uF 16V M	
C319	NCB31EK-223X	C CAPACITOR	0.022uF 25V K	
C320	NCB31EK-223X	C CAPACITOR	0.022uF 25V K	
C322	NCB31EK-104X	C CAPACITOR	0.1uF 25V K	
C323	NCB31EK-104X	C CAPACITOR	0.1uF 25V K	
C324	NCB31EK-104X	C CAPACITOR	0.1uF 25V K	
C325	NCB31EK-104X	C CAPACITOR	0.1uF 25V K	
C341	NCB31EK-473X	C CAPACITOR	0.047uF 25V K	

△ Symbol No.	Part No.	Part Name	Description	Local	△ Symbol No.	Part No.	Part Name	Description	Local
C355	QEKJ1CM-107Z	E CAPACITOR	100uF 16V M		C570	QERF1AM-476Z	E CAPACITOR	47uF 10V M	
C357	NCB31EK-473X	C CAPACITOR	0.047uF 25V K		C571	NCB31HK-103X	C CAPACITOR	0.01uF 50V K	
C403	NCB31HK-103X	C CAPACITOR	0.01uF 50V K		C572	QERF1AM-107Z	E CAPACITOR	100uF 10V M	
C404	NCB31HK-103X	C CAPACITOR	0.01uF 50V K		C580	QEKJ1EM-475Z	E CAPACITOR	4.7uF 25V M	
C405	QERF1HM-105Z	E CAPACITOR	1uF 50V M		C581	NCB31HK-332X	C CAPACITOR	3300pF 50V K	
C406	NCB31EK-103X	C CAPACITOR	0.01uF 25V K		C582	NDC31HJ-271X	C CAPACITOR	270pF 50V J	
C407	QERF1AM-107Z	E CAPACITOR	100uF 10V M		C583	NDC31HJ-271X	C CAPACITOR	270pF 50V J	
C408	NCB31HK-103X	C CAPACITOR	0.01uF 50V K		C584	NCB31EK-104X	C CAPACITOR	0.1uF 25V K	
C411	QEKJ0JM-107Z	E CAPACITOR	100uF 6.3V M		C585	QEKJ0JM-476Z	E CAPACITOR	47uF 6.3V M	
C412	NCB31HK-103X	C CAPACITOR	0.01uF 50V K		C589	QEKJ1EM-475Z	E CAPACITOR	4.7uF 25V M	
C413	NCB31EK-104X	C CAPACITOR	0.1uF 25V K		C590	QEKJ1EM-475Z	E CAPACITOR	4.7uF 25V M	
C414	NCB31HK-222X	C CAPACITOR	2200pF 50V K		C591	NCB31HK-332X	C CAPACITOR	3300pF 50V K	
C415	NCB31EK-104X	C CAPACITOR	0.1uF 25V K		C592	NDC31HJ-271X	C CAPACITOR	270pF 50V J	
C416	QEKJ0JM-107Z	E CAPACITOR	100uF 6.3V M		C593	NDC31HJ-271X	C CAPACITOR	270pF 50V J	
C418	NCB31HK-103X	C CAPACITOR	0.01uF 50V K		C594	NCB31EK-104X	C CAPACITOR	0.1uF 25V K	
C419	NDC31HJ-7R0X	C CAPACITOR	7pF 50V J		C595	QEKJ0JM-476Z	E CAPACITOR	47uF 6.3V M	
C420	NDC31HJ-8R0X	C CAPACITOR	8pF 50V J		C596	QEKJ1AM-107Z	E CAPACITOR	100uF 10V M	
C421	NCB31HK-103X	C CAPACITOR	0.01uF 50V K		C597	NCB31HK-103X	C CAPACITOR	0.01uF 50V K	
C422	QEKJ1AM-107Z	E CAPACITOR	100uF 10V M		C599	QEKJ1EM-475Z	E CAPACITOR	4.7uF 25V M	
C430	NCB31HK-103X	C CAPACITOR	0.01uF 50V K		C701	NDC31HJ-270X	C CAPACITOR	27pF 50V J	
C431	NDC31HJ-101X	C CAPACITOR	100pF 50V J		C702	NDC31HJ-220X	C CAPACITOR	22pF 50V J	
C440	NCB31HK-103X	C CAPACITOR	0.01uF 50V K		C703	NDC31HJ-270X	C CAPACITOR	27pF 50V J	
C461	NCB31EK-104X	C CAPACITOR	0.1uF 25V K		C704	NDC31HJ-8R0X	C CAPACITOR	8pF 50V J	
C462	QEKJ0JM-107Z	E CAPACITOR	100uF 6.3V M		C705	NCB31EK-473X	C CAPACITOR	0.047uF 25V K	
C463	QEKJ0JM-107Z	E CAPACITOR	100uF 6.3V M		C706	NCB31EK-473X	C CAPACITOR	0.047uF 25V K	
C464	NCB31EK-104X	C CAPACITOR	0.1uF 25V K		C707	NCB31EK-104X	C CAPACITOR	0.1uF 25V K	
C481	QERF1CM-476Z	E CAPACITOR	47uF 16V M		C708	NCB31EK-473X	C CAPACITOR	0.047uF 25V K	
C482	NCB31EK-104X	C CAPACITOR	0.1uF 25V K		C709	NCB31EK-104X	C CAPACITOR	0.1uF 25V K	
C483	NCB31EK-104X	C CAPACITOR	0.1uF 25V K		C710	QERF0JM-476Z	E CAPACITOR	47uF 6.3V M	
C501	QERF1AM-476Z	E CAPACITOR	47uF 10V M		C711	QEKJ0JM-227Z	E CAPACITOR	220uF 6.3V M	
C502	NCB31HK-103X	C CAPACITOR	0.01uF 50V K		C712	NCB31HK-103X	C CAPACITOR	0.01uF 50V K	
C503	QEKJ1AM-107Z	E CAPACITOR	100uF 10V M		C713	NCB31EK-104X	C CAPACITOR	0.1uF 25V K	
C504	NCB31EK-473X	C CAPACITOR	0.047uF 25V K		C716	NCB31EK-104X	C CAPACITOR	0.1uF 25V K	
C505	NCB31EK-473X	C CAPACITOR	0.047uF 25V K		C717	NCB31EK-104X	C CAPACITOR	0.1uF 25V K	
C506	NCB31EK-473X	C CAPACITOR	0.047uF 25V K		C718	NCB31EK-104X	C CAPACITOR	0.1uF 25V K	
C507	NCB31EK-473X	C CAPACITOR	0.047uF 25V K		C770	NCB31EK-473X	C CAPACITOR	0.047uF 25V K	
C510	NCB31EK-103X	C CAPACITOR	0.01uF 25V K		C771	NCB31EK-473X	C CAPACITOR	0.047uF 25V K	
C512	QERF1CM-476Z	E CAPACITOR	47uF 16V M		C772	NCB31EK-104X	C CAPACITOR	0.1uF 25V K	
C513	NCB31EK-103X	C CAPACITOR	0.01uF 25V K		C781	QEKJ0JM-476Z	E CAPACITOR	47uF 6.3V M	
C514	NCB31EK-103X	C CAPACITOR	0.01uF 25V K		C783	NCB31EK-823X	C CAPACITOR	0.082uF 25V K	
C521	NCB31HK-103X	C CAPACITOR	0.01uF 50V K		C784	QEKJ1CM-107Z	E CAPACITOR	100uF 16V M	
C522	NCB31HK-103X	C CAPACITOR	0.01uF 50V K		C801	NCB31EK-473X	C CAPACITOR	0.047uF 25V K	
C523	QEKJ1AM-107Z	E CAPACITOR	100uF 10V M		C802	NCB31HK-103X	C CAPACITOR	0.01uF 50V K	
C524	NCB31HK-103X	C CAPACITOR	0.01uF 50V K		C851	QEKJ1CM-106Z	E CAPACITOR	10uF 16V M	
C525	QEKJ1AM-107Z	E CAPACITOR	100uF 10V M		C852	NCB31HK-103X	C CAPACITOR	0.01uF 50V K	
C527	NCB31HK-682X	C CAPACITOR	6800pF 50V K		C901	QEZ0676-338	E CAPACITOR	3300uF	
C528	NCB31HK-103X	C CAPACITOR	0.01uF 50V K		C902	QEKJ1HM-225Z	E CAPACITOR	2.2uF 50V M	
C529	QEKJ1AM-107Z	E CAPACITOR	100uF 10V M		C903	QEKJ1CM-226Z	E CAPACITOR	22uF 16V M	
C530	NCB31EK-104X	C CAPACITOR	0.1uF 25V K		C904	QEKJ1CM-106Z	E CAPACITOR	10uF 16V M	
C531	NCB31EK-104X	C CAPACITOR	0.1uF 25V K		C905	QEKJ1CM-476Z	E CAPACITOR	47uF 16V M	
C532	NDC31HJ-680X	C CAPACITOR	68pF 50V J		C906	NCB31HK-103X	C CAPACITOR	0.01uF 50V K	
C533	NCB31HK-103X	C CAPACITOR	0.01uF 50V K		C907	QEKJ1AM-227Z	E CAPACITOR	220uF 10V M	
C534	NDC31HJ-5R0X	C CAPACITOR	5pF 50V J		C908	QEKJ1AM-227Z	E CAPACITOR	220uF 10V M	
C541	QEKJ1AM-107Z	E CAPACITOR	100uF 10V M		C909	QEKJ1AM-227Z	E CAPACITOR	220uF 10V M	
C542	NCB31HK-103X	C CAPACITOR	0.01uF 50V K		C910	QEKJ1CM-476Z	E CAPACITOR	47uF 16V M	
C543	QEKJ1HM-105Z	E CAPACITOR	1uF 50V M		C911	NCB31CK-104X	C CAPACITOR	0.1uF 16V K	
C544	QEKJ1AM-107Z	E CAPACITOR	100uF 10V M		C912	NCB31HK-103X	C CAPACITOR	0.01uF 50V K	
C545	NCB31HK-103X	C CAPACITOR	0.01uF 50V K		C913	QEKJ1CM-106Z	E CAPACITOR	10uF 16V M	
C546	NDC31HJ-470X	C CAPACITOR	47pF 50V J		C914	QEKJ1CM-107Z	E CAPACITOR	100uF 16V M	
C547	NCB31HK-153X	C CAPACITOR	0.015uF 50V K		C915	NCB31CK-104X	C CAPACITOR	0.1uF 16V K	
C548	NCB31HK-103X	C CAPACITOR	0.01uF 50V K		C919	QEKJ1CM-106Z	E CAPACITOR	10uF 16V M	
C549	NCB31HK-272X	C CAPACITOR	2700pF 50V K		C961	NDC31HJ-101X	C CAPACITOR	100pF 50V J	
C550	NCB31HK-103X	C CAPACITOR	0.01uF 50V K		C962	NDC31HJ-101X	C CAPACITOR	100pF 50V J	
C551	NCB31EK-333X	C CAPACITOR	0.033uF 25V K		C963	NDC31HJ-101X	C CAPACITOR	100pF 50V J	
C552	NCB31EK-333X	C CAPACITOR	0.033uF 25V K		C964	NDC31HJ-101X	C CAPACITOR	100pF 50V J	
C553	NCB31EK-473X	C CAPACITOR	0.047uF 25V K		C965	NDC31HJ-101X	C CAPACITOR	100pF 50V J	
C554	NCB31EK-473X	C CAPACITOR	0.047uF 25V K		C966	NDC31HJ-101X	C CAPACITOR	100pF 50V J	
C555	NCB31EK-473X	C CAPACITOR	0.047uF 25V K		C967	NDC31HJ-101X	C CAPACITOR	100pF 50V J	
C556	NCB31HK-471X	C CAPACITOR	470pF 50V K		C968	NDC31HJ-101X	C CAPACITOR	100pF 50V J	
C557	NCB31HK-471X	C CAPACITOR	470pF 50V K		C971	NCB31EK-104X	C CAPACITOR	0.1uF 25V K	
C558	NCB31EK-473X	C CAPACITOR	0.047uF 25V K						
C559	NCB31EK-473X	C CAPACITOR	0.047uF 25V K		R1	NRS181J-120X	MG RESISTOR	12Ω 1/8W J	
C560	NCB31HK-103X	C CAPACITOR	0.01uF 50V K		R2	NRSA63J-473X	MG RESISTOR	47kΩ 1/16W J	
C561	QEKJ1AM-107Z	E CAPACITOR	100uF 10V M		R4	NRSA63J-332X	MG RESISTOR	3.3kΩ 1/16W J	
C562	NCB31HK-103X	C CAPACITOR	0.01uF 50V K		R5	NRSA63J-473X	MG RESISTOR	47kΩ 1/16W J	
C565	NCB31HK-103X	C CAPACITOR	0.01uF 50V K		R6	NRSA63J-473X	MG RESISTOR	47kΩ 1/16W J	
C566	QEKJ1AM-107Z	E CAPACITOR	100uF 10V M		R7	NRSA63J-472X	MG RESISTOR	4.7kΩ 1/16W J	
C568	NCB31EK-104X	C CAPACITOR	0.1uF 25V K		R9	NRSA63J-470X	MG RESISTOR	47Ω 1/16W J	

△ Symbol No.	Part No.	Part Name	Description	Local	△ Symbol No.	Part No.	Part Name	Description	Local
R10	NRSA63J-103X	MG RESISTOR	10kΩ 1/16W J		R510	NRSA63J-822X	MG RESISTOR	8.2kΩ 1/16W J	
R31	NRS181J-100X	MG RESISTOR	10Ω 1/8W J		R511	NRSA63J-152X	MG RESISTOR	1.5kΩ 1/16W J	
R32	NRSA63J-622X	MG RESISTOR	6.2kΩ 1/16W J		R512	NRSA63J-152X	MG RESISTOR	1.5kΩ 1/16W J	
R33	NRSA63J-103X	MG RESISTOR	10kΩ 1/16W J		R513	NRSA63J-152X	MG RESISTOR	1.5kΩ 1/16W J	
R34	NRSA63J-222X	MG RESISTOR	2.2kΩ 1/16W J		R514	NRSA02J-0R0X	MG RESISTOR	0Ω 1/10W J	
R35	NRSA63J-222X	MG RESISTOR	2.2kΩ 1/16W J		R515	NRSA02J-0R0X	MG RESISTOR	0Ω 1/10W J	
R36	NRSA63J-222X	MG RESISTOR	2.2kΩ 1/16W J		R516	NRSA63J-331X	MG RESISTOR	330Ω 1/16W J	
R37	NRSA63J-222X	MG RESISTOR	2.2kΩ 1/16W J		R517	NRSA63J-512X	MG RESISTOR	5.1kΩ 1/16W J	
R38	NRSA63J-101X	MG RESISTOR	100Ω 1/16W J		R518	NRSA02J-822X	MG RESISTOR	8.2kΩ 1/10W J	
R39	NRSA63J-0R0X	MG RESISTOR	0Ω 1/16W J		R523	NRSA63J-823X	MG RESISTOR	82kΩ 1/16W J	
R40	NRSA63J-393X	MG RESISTOR	39kΩ 1/16W J		R524	NRSA63J-823X	MG RESISTOR	82kΩ 1/16W J	
R41	NRSA63J-103X	MG RESISTOR	10kΩ 1/16W J		R525	NRSA63J-334X	MG RESISTOR	330kΩ 1/16W J	
R42	NRS181J-100X	MG RESISTOR	10Ω 1/8W J		R526	NRSA63J-334X	MG RESISTOR	330kΩ 1/16W J	
R43	NRSA63J-471X	MG RESISTOR	470Ω 1/16W J		R527	NRSA02J-220X	MG RESISTOR	22Ω 1/10W J	
R44	NRSA63J-221X	MG RESISTOR	220Ω 1/16W J		R528	NRSA02J-220X	MG RESISTOR	22Ω 1/10W J	
R51	NRSA63J-273X	MG RESISTOR	27kΩ 1/16W J		R529	NRSA63J-823X	MG RESISTOR	82kΩ 1/16W J	
R52	NRSA63J-104X	MG RESISTOR	100kΩ 1/16W J		R530	NRSA63J-563X	MG RESISTOR	56kΩ 1/16W J	
R81	NRSA63J-332X	MG RESISTOR	3.3kΩ 1/16W J		R531	NRSA63J-103X	MG RESISTOR	10kΩ 1/16W J	
R82	NRSA63J-133X	MG RESISTOR	13kΩ 1/16W J		R532	NRSA63J-202X	MG RESISTOR	2kΩ 1/16W J	
R91	NRSA63J-332X	MG RESISTOR	3.3kΩ 1/16W J		R533	NRSA63J-102X	MG RESISTOR	1kΩ 1/16W J	
R92	NRSA63J-133X	MG RESISTOR	13kΩ 1/16W J		R534	NRSA63J-153X	MG RESISTOR	15kΩ 1/16W J	
R162	NRSA63J-223X	MG RESISTOR	22kΩ 1/16W J		R535	NRSA63J-101X	MG RESISTOR	100Ω 1/16W J	
R163	NRSA63J-222X	MG RESISTOR	2.2kΩ 1/16W J		R536	NRSA63J-821X	MG RESISTOR	820Ω 1/16W J	
R164	NRSA63J-473X	MG RESISTOR	47kΩ 1/16W J		R537	NRSA63J-0R0X	MG RESISTOR	0Ω 1/16W J	
R165	NRSA63J-473X	MG RESISTOR	47kΩ 1/16W J		R539	NRSA02J-151X	MG RESISTOR	150Ω 1/10W J	
R172	NRSA63J-223X	MG RESISTOR	22kΩ 1/16W J		R541	NRSA63J-562X	MG RESISTOR	5.6kΩ 1/16W J	
R173	NRSA63J-222X	MG RESISTOR	2.2kΩ 1/16W J		R542	NRSA63J-473X	MG RESISTOR	47kΩ 1/16W J	
R174	NRSA63J-473X	MG RESISTOR	47kΩ 1/16W J		R543	NRSA63J-474X	MG RESISTOR	470kΩ 1/16W J	
R175	NRSA63J-473X	MG RESISTOR	47kΩ 1/16W J		R544	NRSA63J-103X	MG RESISTOR	10kΩ 1/16W J	
R181	NRSA63J-271X	MG RESISTOR	270Ω 1/16W J		R545	NRSA63J-103X	MG RESISTOR	10kΩ 1/16W J	
R182	NRSA63J-271X	MG RESISTOR	270Ω 1/16W J		R546	NRSA63J-0R0X	MG RESISTOR	0Ω 1/16W J	
R301	NRSA63J-273X	MG RESISTOR	27kΩ 1/16W J		R547	NRSA63J-0R0X	MG RESISTOR	0Ω 1/16W J	
R302	NRSA63J-273X	MG RESISTOR	27kΩ 1/16W J		R548	NRSA63J-0R0X	MG RESISTOR	0Ω 1/16W J	
R311	NRSA63J-273X	MG RESISTOR	27kΩ 1/16W J		R549	NRSA63J-101X	MG RESISTOR	100Ω 1/16W J	
R312	NRSA63J-273X	MG RESISTOR	27kΩ 1/16W J		R550	NRSA63J-101X	MG RESISTOR	100Ω 1/16W J	
R341	NRSA63J-222X	MG RESISTOR	2.2kΩ 1/16W J		R551	NRSA63J-101X	MG RESISTOR	100Ω 1/16W J	
R342	NRSA63J-821X	MG RESISTOR	820Ω 1/16W J		R552	NRSA63J-101X	MG RESISTOR	100Ω 1/16W J	
R343	NRSA63J-101X	MG RESISTOR	100Ω 1/16W J		R553	NRSA63J-105X	MG RESISTOR	1MΩ 1/16W J	
R351	NRSA63J-222X	MG RESISTOR	2.2kΩ 1/16W J		R554	NRSA63J-103X	MG RESISTOR	10kΩ 1/16W J	
R352	NRSA63J-821X	MG RESISTOR	820Ω 1/16W J		R555	NRSA63J-103X	MG RESISTOR	10kΩ 1/16W J	
R353	NRSA63J-101X	MG RESISTOR	100Ω 1/16W J		R556	NRSA63J-103X	MG RESISTOR	10kΩ 1/16W J	
R402	NRSA63J-470X	MG RESISTOR	47Ω 1/16W J		R557	NRSA63J-103X	MG RESISTOR	10kΩ 1/16W J	
R404	NRSA63J-103X	MG RESISTOR	10kΩ 1/16W J		R558	NRSA63J-103X	MG RESISTOR	10kΩ 1/16W J	
R405	NRSA63J-225X	MG RESISTOR	2.2MΩ 1/16W J		R559	NRSA63J-155X	MG RESISTOR	1.5MΩ 1/16W J	
R406	NRSA63J-470X	MG RESISTOR	47Ω 1/16W J		R581	NRSA63J-822X	MG RESISTOR	8.2kΩ 1/16W J	
R407	NRSA63J-222X	MG RESISTOR	2.2kΩ 1/16W J		R582	NRSA63J-822X	MG RESISTOR	8.2kΩ 1/16W J	
R408	NRSA63J-222X	MG RESISTOR	2.2kΩ 1/16W J		R583	NRSA63J-822X	MG RESISTOR	8.2kΩ 1/16W J	
R409	NRSA63J-222X	MG RESISTOR	2.2kΩ 1/16W J		R584	NRSA63J-181X	MG RESISTOR	180Ω 1/16W J	
R412	NRSA63J-472X	MG RESISTOR	4.7kΩ 1/16W J		R585	NRSA63J-181X	MG RESISTOR	180Ω 1/16W J	
R413	NRSA63J-472X	MG RESISTOR	4.7kΩ 1/16W J		R586	NRSA63J-682X	MG RESISTOR	6.8kΩ 1/16W J	
R414	NRSA63J-472X	MG RESISTOR	4.7kΩ 1/16W J		R587	NRSA63J-102X	MG RESISTOR	1kΩ 1/16W J	
R415	NRSA63J-473X	MG RESISTOR	47kΩ 1/16W J		R588	NRSA63J-102X	MG RESISTOR	1kΩ 1/16W J	
R416	NRSA63J-102X	MG RESISTOR	1kΩ 1/16W J		R591	NRSA63J-822X	MG RESISTOR	8.2kΩ 1/16W J	
R423	NRSA63J-103X	MG RESISTOR	10kΩ 1/16W J		R592	NRSA63J-822X	MG RESISTOR	8.2kΩ 1/16W J	
R424	NRSA63J-221X	MG RESISTOR	220Ω 1/16W J		R593	NRSA63J-822X	MG RESISTOR	8.2kΩ 1/16W J	
R430	NRSA63J-472X	MG RESISTOR	4.7kΩ 1/16W J		R594	NRSA63J-181X	MG RESISTOR	180Ω 1/16W J	
R431	NRSA63J-103X	MG RESISTOR	10kΩ 1/16W J		R595	NRSA63J-181X	MG RESISTOR	180Ω 1/16W J	
R432	NRSA63J-682X	MG RESISTOR	6.8kΩ 1/16W J		R596	NRSA63J-682X	MG RESISTOR	6.8kΩ 1/16W J	
R433	NRSA63J-101X	MG RESISTOR	100Ω 1/16W J		R597	NRSA63J-102X	MG RESISTOR	1kΩ 1/16W J	
R440	NRSA63J-472X	MG RESISTOR	4.7kΩ 1/16W J		R598	NRSA63J-102X	MG RESISTOR	1kΩ 1/16W J	
R451	NRSA63J-223X	MG RESISTOR	22kΩ 1/16W J		R701	NRSA63J-473X	MG RESISTOR	47kΩ 1/16W J	
R452	NRSA63J-473X	MG RESISTOR	47kΩ 1/16W J		R702	NRSA63J-0R0X	MG RESISTOR	0Ω 1/16W J	
R453	NRSA63J-222X	MG RESISTOR	2.2kΩ 1/16W J		R703	NRSA63J-0R0X	MG RESISTOR	0Ω 1/16W J	
R454	NRSA63J-472X	MG RESISTOR	4.7kΩ 1/16W J		R704	NRSA63J-473X	MG RESISTOR	47kΩ 1/16W J	
R455	NRSA63J-222X	MG RESISTOR	2.2kΩ 1/16W J		R705	NRSA63J-473X	MG RESISTOR	47kΩ 1/16W J	
R456	NRSA63J-472X	MG RESISTOR	4.7kΩ 1/16W J		R708	NRSA63J-332X	MG RESISTOR	3.3kΩ 1/16W J	
R457	NRSA63J-222X	MG RESISTOR	2.2kΩ 1/16W J		R709	NRSA63J-473X	MG RESISTOR	47kΩ 1/16W J	
R458	NRSA63J-472X	MG RESISTOR	4.7kΩ 1/16W J		R710	NRSA63J-471X	MG RESISTOR	470Ω 1/16W J	
R461	NRSA63J-101X	MG RESISTOR	100Ω 1/16W J		R711	NRSA63J-471X	MG RESISTOR	470Ω 1/16W J	
R462	NRSA63J-101X	MG RESISTOR	100Ω 1/16W J		R712	NRSA63J-471X	MG RESISTOR	470Ω 1/16W J	
R481	NRSA63J-181X	MG RESISTOR	180Ω 1/16W J		R713	NRSA63J-471X	MG RESISTOR	470Ω 1/16W J	
R501	NRSA63J-333X	MG RESISTOR	33kΩ 1/16W J		R714	NRSA63J-103X	MG RESISTOR	10kΩ 1/16W J	
R502	NRSA63J-822X	MG RESISTOR	8.2kΩ 1/16W J		R715	NRSA63J-471X	MG RESISTOR	470Ω 1/16W J	
R503	NRSA63J-472X	MG RESISTOR	4.7kΩ 1/16W J		R716	NRSA63J-471X	MG RESISTOR	470Ω 1/16W J	
R504	NRSA63J-153X	MG RESISTOR	15kΩ 1/16W J		R717	NRSA63J-471X	MG RESISTOR	470Ω 1/16W J	
R507	NRSA63J-682X	MG RESISTOR	6.8kΩ 1/16W J		R719	NRSA63J-0R0X	MG RESISTOR	0Ω 1/16W J	
R508	NRSA63J-302X	MG RESISTOR	3kΩ 1/16W J		R720	NRSA63J-122X	MG RESISTOR	1.2kΩ 1/16W J	
R509	NRSA63J-123X	MG RESISTOR	12kΩ 1/16W J		R721	NRSA63J-102X	MG RESISTOR	1kΩ 1/16W J	

Symbol No.	Part No.	Part Name	Description	Local
------------	----------	-----------	-------------	-------

## Switch board (KD-G465\_UT,UH,UN,U)

Block No. [0][2]

R722	NRSA63J-103X	MG RESISTOR	10kΩ 1/16W J	
R723	NRSA63J-103X	MG RESISTOR	10kΩ 1/16W J	
R725	NRSA63J-103X	MG RESISTOR	10kΩ 1/16W J	
R726	NRSA63J-103X	MG RESISTOR	10kΩ 1/16W J	
R728	NRSA63J-103X	MG RESISTOR	10kΩ 1/16W J	
R729	NRSA63J-473X	MG RESISTOR	47kΩ 1/16W J	
R734	NRSA63J-222X	MG RESISTOR	2.2kΩ 1/16W J	
R735	NRSA63J-222X	MG RESISTOR	2.2kΩ 1/16W J	
R736	NRSA63J-222X	MG RESISTOR	2.2kΩ 1/16W J	
R737	NRSA63J-0R0X	MG RESISTOR	0Ω 1/16W J	
R738	NRSA63J-472X	MG RESISTOR	4.7kΩ 1/16W J	
R739	NRSA63J-472X	MG RESISTOR	4.7kΩ 1/16W J	
R740	NRSA63J-472X	MG RESISTOR	4.7kΩ 1/16W J	
R741	NRSA63J-103X	MG RESISTOR	10kΩ 1/16W J	
R743	NRSA63J-103X	MG RESISTOR	10kΩ 1/16W J	
R744	NRSA63J-103X	MG RESISTOR	10kΩ 1/16W J	
R745	NRSA63J-103X	MG RESISTOR	10kΩ 1/16W J	
R746	NRSA63J-103X	MG RESISTOR	10kΩ 1/16W J	
R747	NRSA63J-472X	MG RESISTOR	4.7kΩ 1/16W J	
R748	NRSA63J-472X	MG RESISTOR	4.7kΩ 1/16W J	
R749	NRSA63J-472X	MG RESISTOR	4.7kΩ 1/16W J	
R750	NRSA63J-103X	MG RESISTOR	10kΩ 1/16W J	
R751	NRSA63J-103X	MG RESISTOR	10kΩ 1/16W J	
R752	NRSA63J-473X	MG RESISTOR	47kΩ 1/16W J	
R753	NRSA63J-473X	MG RESISTOR	47kΩ 1/16W J	
R754	NRSA63J-821X	MG RESISTOR	820Ω 1/16W J	
R755	NRSA63J-106X	MG RESISTOR	10MΩ 1/16W J	
R756	NRSA63J-473X	MG RESISTOR	47kΩ 1/16W J	
R757	NRSA63J-222X	MG RESISTOR	2.2kΩ 1/16W J	
R758	NRSA63J-473X	MG RESISTOR	47kΩ 1/16W J	
R760	NRSA63J-473X	MG RESISTOR	47kΩ 1/16W J	
R763	NRSA63J-103X	MG RESISTOR	10kΩ 1/16W J	
R765	NRSA63J-0R0X	MG RESISTOR	0Ω 1/16W J	
R771	NRSA63J-473X	MG RESISTOR	47kΩ 1/16W J	
R772	NRSA63J-103X	MG RESISTOR	10kΩ 1/16W J	
R773	NRSA63J-473X	MG RESISTOR	47kΩ 1/16W J	
R775	NRSA63J-473X	MG RESISTOR	47kΩ 1/16W J	
R783	NRSA63J-103X	MG RESISTOR	10kΩ 1/16W J	
R801	NRSA63J-473X	MG RESISTOR	47kΩ 1/16W J	
R802	NRSA63J-473X	MG RESISTOR	47kΩ 1/16W J	
R803	NRSA63J-101X	MG RESISTOR	100Ω 1/16W J	
R804	NRSA63J-223X	MG RESISTOR	22kΩ 1/16W J	
R805	NRSA63J-104X	MG RESISTOR	100kΩ 1/16W J	
R806	NRSA63J-103X	MG RESISTOR	10kΩ 1/16W J	
R807	NRSA63J-104X	MG RESISTOR	100kΩ 1/16W J	
R808	NRSA63J-331X	MG RESISTOR	330Ω 1/16W J	
R809	NRSA63J-223X	MG RESISTOR	22kΩ 1/16W J	
R810	NRSA63J-101X	MG RESISTOR	100Ω 1/16W J	
R851	NRSA63J-103X	MG RESISTOR	10kΩ 1/16W J	
R901	QRE142J-102X	C RESISTOR	1kΩ 1/4W J	
R902	NRSA02J-912X	MG RESISTOR	9.1kΩ 1/10W J	
R903	NRSA02J-472X	MG RESISTOR	4.7kΩ 1/10W J	
R971	NRS181J-222X	MG RESISTOR	2.2kΩ 1/8W J	
R972	NRS181J-222X	MG RESISTOR	2.2kΩ 1/8W J	
R976	NRSA02J-273X	MG RESISTOR	27kΩ 1/10W J	
R977	NRSA02J-123X	MG RESISTOR	12kΩ 1/10W J	
L1	QQL244J-4R7Z	COIL	4.7uH J	
L401	NQL114K-470X	INDUCITOR	47uH K	
L402	NQL114K-470X	INDUCITOR	47uH K	
L404	NQL114K-470X	INDUCITOR	47uH K	
L541	NQL114K-470X	INDUCITOR	47uH K	
L543	NQL114K-470X	INDUCITOR	47uH K	
L544	NQL114K-470X	INDUCITOR	47uH K	
L701	QQL244J-4R7Z	COIL	4.7uH J	
L901	QQR0703-001	CHOKE COIL		
CN501	QGB2027M4-22S	CONNECTOR	B-B (1-22)	
CN701	QGZ1601J1-15	CONNECTOR	(1-15)	
CN901	QNZ0611-001	16P CONNECTOR		
J1	QNB0100-002	CAR ANT JACK		
J321	QNN0519-001	PIN JACK		
J801	QNZ0095-001	CONNECTOR		
TU1	QAU0312-002	TUNER PACK		
X31	QAX0616-001Z	CRYSTAL	10.250MHz	
X401	QAX0413-001Z	CRYSTAL	16.9344MHz	
X701	QAX0617-001Z	CRYSTAL	12.500MHz	
X702	QAX0401-001	CRYSTAL	32.768KHz	

Symbol No.	Part No.	Part Name	Description	Local
IC661	PT6523LQ-L	LCD DRIVER		
IC681	RPM7338-V4	RM.RECEIVER		
Q670	2SB624/4/-X	TRANSISTOR		
Q671	UN2211-X	TRANSISTOR		
D630	SML-310LT/MN/-X	LED		
D631	SML-310VT/JK/-X	LED		
D632	SML-310VT/JK/-X	LED		
D633	SML-310VT/JK/-X	LED		
D634	SML-310VT/JK/-X	LED		
D635	SML-310VT/JK/-X	LED		
D636	SML-310VT/JK/-X	LED		
D637	SML-310VT/JK/-X	LED		
D638	SML-310VT/JK/-X	LED		
D639	SML-310VT/JK/-X	LED		
D640	SML-310VT/JK/-X	LED		
D641	SML-310VT/JK/-X	LED		
D642	SML-310VT/JK/-X	LED		
D643	SML-310VT/JK/-X	LED		
D644	SML-310VT/JK/-X	LED		
D645	SML-310VT/JK/-X	LED		
D646	SML-310VT/JK/-X	LED		
D647	SML-310VT/JK/-X	LED		
D648	SML-310VT/JK/-X	LED		
D649	SML-310VT/JK/-X	LED		
D650	SML-310VT/JK/-X	LED		
D651	SML-310VT/JK/-X	LED		
D652	NSPW310BS/BRST/	WHITE LED		
D653	NSPW310BS/BRST/	WHITE LED		
D661	MA111-X	SI DIODE		
D662	MA8051/M/-X	Z DIODE		
D681	MA8062/M/-X	Z DIODE		
C661	NBE20JM-106X	TA E CAPACITOR	10uF 6.3V M	
C662	NCS31HJ-681X	C CAPACITOR	680pF 50V J	
C663	NCB31HK-223X	C CAPACITOR	0.022uF 50V K	
C681	NBE20JM-475X	TA E CAPACITOR	4.7uF 6.3V M	
C686	NCB31HK-223X	C CAPACITOR	0.022uF 50V K	
C687	NCB31HK-223X	C CAPACITOR	0.022uF 50V K	
R601	NRSA63J-821X	MG RESISTOR	820Ω 1/16W J	
R602	NRSA63J-821X	MG RESISTOR	820Ω 1/16W J	
R603	NRSA63J-122X	MG RESISTOR	1.2kΩ 1/16W J	
R604	NRSA63J-182X	MG RESISTOR	1.8kΩ 1/16W J	
R605	NRSA63J-272X	MG RESISTOR	2.7kΩ 1/16W J	
R606	NRSA63J-821X	MG RESISTOR	820Ω 1/16W J	
R607	NRSA63J-821X	MG RESISTOR	820Ω 1/16W J	
R608	NRSA63J-122X	MG RESISTOR	1.2kΩ 1/16W J	
R609	NRSA63J-182X	MG RESISTOR	1.8kΩ 1/16W J	
R610	NRSA63J-821X	MG RESISTOR	820Ω 1/16W J	
R611	NRSA63J-821X	MG RESISTOR	820Ω 1/16W J	
R612	NRSA63J-122X	MG RESISTOR	1.2kΩ 1/16W J	
R613	NRSA63J-182X	MG RESISTOR	1.8kΩ 1/16W J	
R614	NRSA63J-272X	MG RESISTOR	2.7kΩ 1/16W J	
R615	NRSA63J-392X	MG RESISTOR	3.9kΩ 1/16W J	
R630	NRSA02J-821X	MG RESISTOR	820Ω 1/10W J	
R631	NRSA02J-471X	MG RESISTOR	470Ω 1/10W J	
R633	NRSA02J-681X	MG RESISTOR	680Ω 1/10W J	
R637	NRSA02J-821X	MG RESISTOR	820Ω 1/10W J	
R639	NRSA02J-331X	MG RESISTOR	330Ω 1/10W J	
R641	NRSA02J-331X	MG RESISTOR	330Ω 1/10W J	
R643	NRSA02J-471X	MG RESISTOR	470Ω 1/10W J	
R645	NRSA02J-471X	MG RESISTOR	470Ω 1/10W J	
R647	NRSA02J-471X	MG RESISTOR	470Ω 1/10W J	
R649	NRS181J-391X	MG RESISTOR	390Ω 1/8W J	
R650	NRS181J-391X	MG RESISTOR	390Ω 1/8W J	
R651	NRSA02J-471X	MG RESISTOR	470Ω 1/10W J	
R661	NRSA63J-222X	MG RESISTOR	2.2kΩ 1/16W J	
R662	NRSA63J-222X	MG RESISTOR	2.2kΩ 1/16W J	
R663	NRSA63J-184X	MG RESISTOR	180kΩ 1/16W J	
R664	NRSA63J-103X	MG RESISTOR	10kΩ 1/16W J	
R665	NRSA63J-513X	MG RESISTOR	51kΩ 1/16W J	
R666	NRSA63J-103X	MG RESISTOR	10kΩ 1/16W J	

△ Symbol No.	Part No.	Part Name	Description	Local	△ Symbol No.	Part No.	Part Name	Description	Local
R667	NRSA63J-103X	MG RESISTOR	10kΩ 1/16W J		D702	MA111-X	SI DIODE		
R668	NRSA63J-103X	MG RESISTOR	10kΩ 1/16W J		D706	MA111-X	SI DIODE		
R670	NRS181J-471X	MG RESISTOR	470Ω 1/8W J		D711	MA8062/M/-X	Z DIODE		
R671	NRSA63J-473X	MG RESISTOR	47kΩ 1/16W J		D712	MA8062/M/-X	Z DIODE		
R672	NRS181J-102X	MG RESISTOR	1kΩ 1/8W J		D713	MA8062/M/-X	Z DIODE		
R681	NRSA63J-471X	MG RESISTOR	470Ω 1/16W J		D714	MA8062/M/-X	Z DIODE		
R682	NRSA63J-103X	MG RESISTOR	10kΩ 1/16W J		D715	MA8062/M/-X	Z DIODE		
R686	NRSA63J-101X	MG RESISTOR	100Ω 1/16W J		D716	MA8062/M/-X	Z DIODE		
R687	NRSA63J-473X	MG RESISTOR	47kΩ 1/16W J		D717	MA8062/M/-X	Z DIODE		
R688	NRSA63J-473X	MG RESISTOR	47kΩ 1/16W J		D718	MA8062/M/-X	Z DIODE		
CJ601	QGZ1601K1-15S	CONNECTOR	(1-15)		D719	MA8062/M/-X	Z DIODE		
JS686	QSW0793-001	ROTARY ENCODER			D720	MA8062/M/-X	Z DIODE		
S601	NSW0124-001X	TACT SW			D721	MA8062/M/-X	Z DIODE		
S602	NSW0124-001X	TACT SW			D781	MA111-X	SI DIODE		
S603	NSW0124-001X	TACT SW			D782	MA8110/M/-X	Z DIODE		
S604	NSW0124-001X	TACT SW			D901	1N5401-F64	DIODE		
S605	NSW0124-001X	TACT SW			D903	MA111-X	SI DIODE		
S606	NSW0124-001X	TACT SW			D904	RB160M-30-X	SB DIODE		
S607	NSW0124-001X	TACT SW			D905	RB160M-30-X	SB DIODE		
S608	NSW0124-001X	TACT SW			D906	RB160M-30-X	SB DIODE		
S609	NSW0124-001X	TACT SW			D907	RB160M-30-X	SB DIODE		
S610	NSW0124-001X	TACT SW			C1	NDC31HJ-221X	C CAPACITOR	220pF 50V J	
S611	NSW0124-001X	TACT SW			C2	QEKJ1CM-476Z	E CAPACITOR	47uF 16V M	
S612	NSW0124-001X	TACT SW			C3	QEKJ1HM-104Z	E CAPACITOR	0.1uF 50V M	
S613	NSW0124-001X	TACT SW			C4	NCB31EK-223X	C CAPACITOR	0.022uF 25V K	
S614	NSW0124-001X	TACT SW			C6	NCB31EK-103X	C CAPACITOR	0.01uF 25V K	
S615	NSW0124-001X	TACT SW			C7	QEKJ1HM-104Z	E CAPACITOR	0.1uF 50V M	
S616	NSW0124-001X	TACT SW			C8	NDC31HJ-121X	C CAPACITOR	120pF 50V J	
S617	NSW0124-001X	TACT SW			C9	QEKJ1AM-227Z	E CAPACITOR	220uF 10V M	
S618	NSW0124-001X	TACT SW			C10	QEKJ1HM-104Z	E CAPACITOR	0.1uF 50V M	
					C11	NCB31HK-331X	C CAPACITOR	330pF 50V K	
					C31	QEKJ1AM-227Z	E CAPACITOR	220uF 10V M	
					C32	NCB31HK-102X	C CAPACITOR	1000pF 50V K	
					C33	QEKJ1HM-225Z	E CAPACITOR	2.2uF 50V M	
					C81	NCB31EK-153X	C CAPACITOR	0.015uF 25V K	
					C82	NCB31HK-562X	C CAPACITOR	5600pF 50V K	
					C83	QEKJ1HM-105Z	E CAPACITOR	1uF 50V M	
					C91	NCB31EK-153X	C CAPACITOR	0.015uF 25V K	
					C92	NCB31HK-562X	C CAPACITOR	5600pF 50V K	
					C93	QEKJ1HM-105Z	E CAPACITOR	1uF 50V M	
					C96	NCB31EK-104X	C CAPACITOR	0.1uF 25V K	
					C99	NCB31EK-104X	C CAPACITOR	0.1uF 25V K	
					C161	NCB31HK-822X	C CAPACITOR	8200pF 50V K	
					C162	NCB31CK-224X	C CAPACITOR	0.22uF 16V K	
					C163	NCB21CK-224X	C CAPACITOR	0.22uF 16V K	
					C164	NCB31EK-333X	C CAPACITOR	0.033uF 25V K	
					C165	NCB31HK-562X	C CAPACITOR	5600pF 50V K	
					C166	QEKJ1EM-475Z	E CAPACITOR	4.7uF 25V M	
					C167	QEKJ1EM-475Z	E CAPACITOR	4.7uF 25V M	
					C168	QFV91HJ-474Z	MF CAPACITOR	0.47uF 50V J	
					C169	QFV91HJ-474Z	MF CAPACITOR	0.47uF 50V J	
					C171	NCB31HK-822X	C CAPACITOR	8200pF 50V K	
					C172	NCB31CK-224X	C CAPACITOR	0.22uF 16V K	
					C173	NCB21CK-224X	C CAPACITOR	0.22uF 16V K	
					C174	NCB31EK-333X	C CAPACITOR	0.033uF 25V K	
					C175	NCB31HK-562X	C CAPACITOR	5600pF 50V K	
					C176	QEKJ1EM-475Z	E CAPACITOR	4.7uF 25V M	
					C177	QEKJ1EM-475Z	E CAPACITOR	4.7uF 25V M	
					C178	QFV91HJ-474Z	MF CAPACITOR	0.47uF 50V J	
					C179	QFV91HJ-474Z	MF CAPACITOR	0.47uF 50V J	
					C181	QEKJ1HM-105Z	E CAPACITOR	1uF 50V M	
					C182	QEKJ1HM-105Z	E CAPACITOR	1uF 50V M	
					C183	QTE1H54-225Z	E CAPACITOR	2.2uF 50V	
					C184	QTE1H54-225Z	E CAPACITOR	2.2uF 50V	
					C191	QEKJ1AM-107Z	E CAPACITOR	100uF 10V M	
					C192	NCB31HK-103X	C CAPACITOR	0.01uF 50V K	
					C193	QEKJ1AM-107Z	E CAPACITOR	100uF 10V M	
					C194	QEKJ1CM-476Z	E CAPACITOR	47uF 16V M	
					C195	NCB31EK-104X	C CAPACITOR	0.1uF 25V K	
					C301	QEKJ1EM-475Z	E CAPACITOR	4.7uF 25V M	
					C302	QEKJ1EM-475Z	E CAPACITOR	4.7uF 25V M	
					C303	NCB31HK-223X	C CAPACITOR	0.022uF 50V K	
					C304	NCB31HK-223X	C CAPACITOR	0.022uF 50V K	
					C305	NCB31EK-104X	C CAPACITOR	0.1uF 25V K	
					C306	NCB31EK-104X	C CAPACITOR	0.1uF 25V K	
					C307	NCB31EK-104X	C CAPACITOR	0.1uF 25V K	
					C308	NCB31EK-104X	C CAPACITOR	0.1uF 25V K	

## Main board (KD-G465\_UT2,UH2,UN2,U2)

Block No. [0][3]

△ Symbol No.	Part No.	Part Name	Description	Local
IC161	TEA6320T-X	IC		
IC301	LA47516	POWER IC		
IC501	AN41012A-W	IC		
IC521	MN6627945ECUC	IC		
IC523	SN74LVC07ANS-X	LOGIC IC		
IC581	NJM4565M-WE	IC		
IC701	LC723784-9C90	IC		
IC801	HD74HC126FP-X	IC		
IC901	AN80T71	REGULATOR IC		
IC981	NJU7772F15-X	IC		
Q1	UN2211-X	TRANSISTOR		
Q2	UN2211-X	TRANSISTOR		
Q4	UN2211-X	TRANSISTOR		
Q5	2SB1197K/QR/-X	TRANSISTOR		
Q6	2SB709A/QR/-X	TRANSISTOR		
Q31	2SD601A/QR/-X	TRANSISTOR		
Q32	2SD601A/QR/-X	TRANSISTOR		
Q301	2SD601A/QR/-X	TRANSISTOR		
Q341	KTD1304-X	TRANSISTOR		
Q351	KTD1304-X	TRANSISTOR		
Q501	2SB1322/RS/-T	TRANSISTOR		
Q521	2SB709A/QR/-X	TRANSISTOR		
Q781	UN2111-X	TRANSISTOR		
Q782	UN2111-X	TRANSISTOR		
Q902	2SD601A/QR/-X	TRANSISTOR		
Q903	2SB709A/QR/-X	TRANSISTOR		
D1	MA111-X	SI DIODE		
D2	MA111-X	SI DIODE		
D3	MA111-X	SI DIODE		
D4	MA111-X	SI DIODE		
D6	MA111-X	SI DIODE		
D301	UDZS3.3B-X	Z DIODE		
D341	MA111-X	SI DIODE		
D351	MA111-X	SI DIODE		
D501	1A3G-T1	SI DIODE		

△ Symbol No.	Part No.	Part Name	Description	Local	△ Symbol No.	Part No.	Part Name	Description	Local
C309	QEKJ1CM-107Z	E CAPACITOR	100uF 16V M		C715	NCB31EK-104X	C CAPACITOR	0.1uF 25V K	
C310	QEKJ1CM-476Z	E CAPACITOR	47uF 16V M		C716	NCB31EK-104X	C CAPACITOR	0.1uF 25V K	
C311	QERF1CM-226Z	E CAPACITOR	22uF 16V M		C781	QEKJ0JM-227Z	E CAPACITOR	220uF 6.3V M	
C312	NDC31HJ-101X	C CAPACITOR	100pF 50V J		C782	QEKJ1CM-476Z	E CAPACITOR	47uF 16V M	
C313	NDC31HJ-101X	C CAPACITOR	100pF 50V J		C783	NCB31EK-823X	C CAPACITOR	0.082uF 25V K	
C314	NDC31HJ-101X	C CAPACITOR	100pF 50V J		C801	NCB31EK-473X	C CAPACITOR	0.047uF 25V K	
C315	NDC31HJ-101X	C CAPACITOR	100pF 50V J		C802	NDC31HJ-101X	C CAPACITOR	100pF 50V J	
C317	QERF1HM-105Z	E CAPACITOR	1uF 50V M		C901	QEZ0676-338	E CAPACITOR	3300uF	
C318	QEKJ1HM-105Z	E CAPACITOR	1uF 50V M		C902	NCB31HK-103X	C CAPACITOR	0.01uF 50V K	
C319	NCB31EK-223X	C CAPACITOR	0.022uF 25V K		C903	QEKJ1CM-226Z	E CAPACITOR	22uF 16V M	
C341	NDC31HJ-101X	C CAPACITOR	100pF 50V J		C904	QEKJ1CM-226Z	E CAPACITOR	22uF 16V M	
C351	NDC31HJ-101X	C CAPACITOR	100pF 50V J		C905	QEKJ1CM-226Z	E CAPACITOR	22uF 16V M	
C501	QEKJ0JM-227Z	E CAPACITOR	220uF 6.3V M		C906	NCB31EK-104X	C CAPACITOR	0.1uF 25V K	
C502	NCB31EK-104X	C CAPACITOR	0.1uF 25V K		C907	NCB31HK-103X	C CAPACITOR	0.01uF 50V K	
C503	QEKJ1AM-107Z	E CAPACITOR	100uF 10V M		C908	QEKJ1AM-107Z	E CAPACITOR	100uF 10V M	
C504	NCB31EK-104X	C CAPACITOR	0.1uF 25V K		C909	QEKJ1AM-107Z	E CAPACITOR	100uF 10V M	
C505	QEKJ1AM-227Z	E CAPACITOR	220uF 10V M		C910	NCB31HK-103X	C CAPACITOR	0.01uF 50V K	
C506	NCB31EK-103X	C CAPACITOR	0.01uF 25V K		C911	QEKJ1AM-227Z	E CAPACITOR	220uF 10V M	
C511	NCB31HK-222X	C CAPACITOR	2200pF 50V K		C913	NCB31CK-224X	C CAPACITOR	0.22uF 16V K	
C513	NCB31HK-682X	C CAPACITOR	6800pF 50V K		C914	NCB31EK-104X	C CAPACITOR	0.1uF 25V K	
C515	NCB31HK-122X	C CAPACITOR	1200pF 50V K		C915	QEKJ1CM-107Z	E CAPACITOR	100uF 16V M	
C517	NCB31HK-182X	C CAPACITOR	1800pF 50V K		C916	QEKJ1HM-225Z	E CAPACITOR	2.2uF 50V M	
C518	NDC31HJ-680X	C CAPACITOR	68pF 50V J		C919	QEKJ1CM-106Z	E CAPACITOR	10uF 16V M	
C521	NCB31EK-104X	C CAPACITOR	0.1uF 25V K		C971	QEKJ0JM-107Z	E CAPACITOR	100uF 6.3V M	
C522	NCB31CK-224X	C CAPACITOR	0.22uF 16V K		C972	NCB31EK-104X	C CAPACITOR	0.1uF 25V K	
C523	NDC31HJ-101X	C CAPACITOR	100pF 50V J		C983	QEKJ0JM-107Z	E CAPACITOR	100uF 6.3V M	
C524	NDC31HJ-561X	C CAPACITOR	560pF 50V J		C984	NCB31EK-104X	C CAPACITOR	0.1uF 25V K	
C525	NCB31HK-223X	C CAPACITOR	0.022uF 50V K						
C526	NCB31HK-223X	C CAPACITOR	0.022uF 50V K		R1	NRSA63J-101X	MG RESISTOR	100Ω 1/16W J	
C527	NCB31EK-332X	C CAPACITOR	3300pF 25V K		R2	NRSA63J-103X	MG RESISTOR	10kΩ 1/16W J	
C528	NDC31HJ-331X	C CAPACITOR	330pF 50V J		R3	NRS181J-100X	MG RESISTOR	10Ω 1/8W J	
C531	NCB31AK-334X	C CAPACITOR	0.33uF 10V K		R4	NRSA63J-103X	MG RESISTOR	10kΩ 1/16W J	
C532	NCB31AK-334X	C CAPACITOR	0.33uF 10V K		R5	NRSA63J-223X	MG RESISTOR	22kΩ 1/16W J	
C533	QEKJ0JM-476Z	E CAPACITOR	47uF 6.3V M		R6	NRSA63J-822X	MG RESISTOR	8.2kΩ 1/16W J	
C534	NCB31EK-332X	C CAPACITOR	3300pF 25V K		R9	NRSA02J-220X	MG RESISTOR	22Ω 1/10W J	
C535	NCB31EK-104X	C CAPACITOR	0.1uF 25V K		R10	NRSA02J-220X	MG RESISTOR	22Ω 1/10W J	
C536	QEKJ0JM-476Z	E CAPACITOR	47uF 6.3V M		R11	NRSA63J-103X	MG RESISTOR	10kΩ 1/16W J	
C537	QEKJ0JM-476Z	E CAPACITOR	47uF 6.3V M		R12	NRSA63J-102X	MG RESISTOR	1kΩ 1/16W J	
C538	QEKJ0JM-476Z	E CAPACITOR	47uF 6.3V M		R13	NRSA63J-103X	MG RESISTOR	10kΩ 1/16W J	
C539	NCB31EK-104X	C CAPACITOR	0.1uF 25V K		R14	NRSA63J-222X	MG RESISTOR	2.2kΩ 1/16W J	
C540	NCS31HJ-681X	C CAPACITOR	680pF 50V J		R16	NRSA63J-104X	MG RESISTOR	100kΩ 1/16W J	
C541	NCB31EK-153X	C CAPACITOR	0.015uF 25V K		R31	NRSA63J-102X	MG RESISTOR	1kΩ 1/16W J	
C542	NCB31EK-104X	C CAPACITOR	0.1uF 25V K		R32	NRSA63J-102X	MG RESISTOR	1kΩ 1/16W J	
C543	NCB31HK-102X	C CAPACITOR	1000pF 50V K		R33	NRSA63J-152X	MG RESISTOR	1.5kΩ 1/16W J	
C544	NCB31EK-823X	C CAPACITOR	0.082uF 25V K		R34	NRSA63J-102X	MG RESISTOR	1kΩ 1/16W J	
C545	NCB31EK-104X	C CAPACITOR	0.1uF 25V K		R35	NRSA63J-103X	MG RESISTOR	10kΩ 1/16W J	
C546	QEKJ0JM-227Z	E CAPACITOR	220uF 6.3V M		R36	NRS181J-471X	MG RESISTOR	470Ω 1/8W J	
C547	QEKJ0JM-476Z	E CAPACITOR	47uF 6.3V M		R37	NRSA63J-0R0X	MG RESISTOR	0Ω 1/16W J	
C548	QEKJ0JM-476Z	E CAPACITOR	47uF 6.3V M		R81	NRSA63J-272X	MG RESISTOR	2.7kΩ 1/16W J	
C549	NCB31EK-104X	C CAPACITOR	0.1uF 25V K		R82	NRSA63J-912X	MG RESISTOR	9.1kΩ 1/16W J	
C550	NCB31EK-104X	C CAPACITOR	0.1uF 25V K		R91	NRSA63J-272X	MG RESISTOR	2.7kΩ 1/16W J	
C551	NCB31EK-104X	C CAPACITOR	0.1uF 25V K		R92	NRSA63J-912X	MG RESISTOR	9.1kΩ 1/16W J	
C552	QEKJ0JM-476Z	E CAPACITOR	47uF 6.3V M		R162	NRSA63J-223X	MG RESISTOR	22kΩ 1/16W J	
C553	QEKJ0JM-476Z	E CAPACITOR	47uF 6.3V M		R163	NRSA63J-222X	MG RESISTOR	2.2kΩ 1/16W J	
C554	NCB31EK-103X	C CAPACITOR	0.01uF 25V K		R164	NRSA63J-473X	MG RESISTOR	47kΩ 1/16W J	
C571	QEKJ0JM-476Z	E CAPACITOR	47uF 6.3V M		R165	NRSA63J-473X	MG RESISTOR	47kΩ 1/16W J	
C572	NCB31EK-104X	C CAPACITOR	0.1uF 25V K		R166	NRSA63J-273X	MG RESISTOR	27kΩ 1/16W J	
C573	QEKJ0JM-476Z	E CAPACITOR	47uF 6.3V M		R167	NRSA63J-273X	MG RESISTOR	27kΩ 1/16W J	
C574	NCB31EK-104X	C CAPACITOR	0.1uF 25V K		R172	NRSA63J-223X	MG RESISTOR	22kΩ 1/16W J	
C583	NDC31HJ-821X	C CAPACITOR	820pF 50V J		R173	NRSA63J-222X	MG RESISTOR	2.2kΩ 1/16W J	
C584	NDC31HJ-821X	C CAPACITOR	820pF 50V J		R174	NRSA63J-473X	MG RESISTOR	47kΩ 1/16W J	
C585	QEKJ1EM-475Z	E CAPACITOR	4.7uF 25V M		R175	NRSA63J-473X	MG RESISTOR	47kΩ 1/16W J	
C586	QEKJ1EM-475Z	E CAPACITOR	4.7uF 25V M		R176	NRSA63J-273X	MG RESISTOR	27kΩ 1/16W J	
C587	NDC31HJ-101X	C CAPACITOR	100pF 50V J		R177	NRSA63J-273X	MG RESISTOR	27kΩ 1/16W J	
C588	NDC31HJ-101X	C CAPACITOR	100pF 50V J		R191	NRS181J-0R0X	MG RESISTOR	0Ω 1/8W J	
C589	QEKJ0JM-476Z	E CAPACITOR	47uF 6.3V M		R301	NRSA63J-272X	MG RESISTOR	2.7kΩ 1/16W J	
C590	QEKJ0JM-476Z	E CAPACITOR	47uF 6.3V M		R302	NRSA63J-473X	MG RESISTOR	47kΩ 1/16W J	
C591	QEKJ1CM-107Z	E CAPACITOR	100uF 16V M		R303	NRSA63J-102X	MG RESISTOR	1kΩ 1/16W J	
C592	NCB31EK-104X	C CAPACITOR	0.1uF 25V K		R304	NRSA63J-472X	MG RESISTOR	4.7kΩ 1/16W J	
C701	QEKJ0JM-227Z	E CAPACITOR	220uF 6.3V M		R341	NRSA63J-821X	MG RESISTOR	820Ω 1/16W J	
C702	NCB31EK-103X	C CAPACITOR	0.01uF 25V K		R342	NRSA63J-101X	MG RESISTOR	100Ω 1/16W J	
C703	NDC31HJ-220X	C CAPACITOR	22pF 50V J		R345	NRSA63J-222X	MG RESISTOR	2.2kΩ 1/16W J	
C704	NDC31HJ-270X	C CAPACITOR	27pF 50V J		R351	NRSA63J-821X	MG RESISTOR	820Ω 1/16W J	
C705	QEKJ1CM-106Z	E CAPACITOR	10uF 16V M		R352	NRSA63J-101X	MG RESISTOR	100Ω 1/16W J	
C706	NDC31HJ-221X	C CAPACITOR	220pF 50V J		R355	NRSA63J-222X	MG RESISTOR	2.2kΩ 1/16W J	
C711	NCB31EK-104X	C CAPACITOR	0.1uF 25V K		R501	NRSA02J-822X	MG RESISTOR	8.2kΩ 1/10W J	
C712	NCB31EK-104X	C CAPACITOR	0.1uF 25V K		R502	NRSA02J-562X	MG RESISTOR	5.6kΩ 1/10W J	
C713	NCB31EK-104X	C CAPACITOR	0.1uF 25V K		R503	NRSA02J-332X	MG RESISTOR	3.3kΩ 1/10W J	



△ Symbol No.	Part No.	Part Name	Description	Local	△ Symbol No.	Part No.	Part Name	Description	Local
R504	NRSA63J-220X	MG RESISTOR	22Ω 1/16W J		R712	NRSA63J-472X	MG RESISTOR	4.7kΩ 1/16W J	
R505	NRSA63J-0R0X	MG RESISTOR	0Ω 1/16W J		R713	NRSA63J-472X	MG RESISTOR	4.7kΩ 1/16W J	
R506	NRSA63J-472X	MG RESISTOR	4.7kΩ 1/16W J		R715	NRSA63J-473X	MG RESISTOR	47kΩ 1/16W J	
R507	NRSA63J-183X	MG RESISTOR	18kΩ 1/16W J		R716	NRSA63J-473X	MG RESISTOR	47kΩ 1/16W J	
R508	NRSA63J-332X	MG RESISTOR	3.3kΩ 1/16W J		R717	NRSA63J-473X	MG RESISTOR	47kΩ 1/16W J	
R509	NRSA63J-683X	MG RESISTOR	68kΩ 1/16W J		R718	NRSA63J-103X	MG RESISTOR	10kΩ 1/16W J	
R510	NRSA63J-273X	MG RESISTOR	27kΩ 1/16W J		R719	NRSA63J-0R0X	MG RESISTOR	0Ω 1/16W J	
R511	NRSA63J-153X	MG RESISTOR	15kΩ 1/16W J		R723	NRSA63J-472X	MG RESISTOR	4.7kΩ 1/16W J	
R512	NRSA63J-562X	MG RESISTOR	5.6kΩ 1/16W J		R724	NRSA63J-472X	MG RESISTOR	4.7kΩ 1/16W J	
R513	NRSA63J-103X	MG RESISTOR	10kΩ 1/16W J		R725	NRSA63J-472X	MG RESISTOR	4.7kΩ 1/16W J	
R514	NRSA63J-562X	MG RESISTOR	5.6kΩ 1/16W J		R726	NRSA63J-472X	MG RESISTOR	4.7kΩ 1/16W J	
R515	NRSA63J-153X	MG RESISTOR	15kΩ 1/16W J		R727	NRSA63J-472X	MG RESISTOR	4.7kΩ 1/16W J	
R516	NRSA63J-102X	MG RESISTOR	1kΩ 1/16W J		R728	NRSA63J-472X	MG RESISTOR	4.7kΩ 1/16W J	
R517	NRSA63J-153X	MG RESISTOR	15kΩ 1/16W J		R729	NRSA63J-473X	MG RESISTOR	47kΩ 1/16W J	
R518	NRSA63J-562X	MG RESISTOR	5.6kΩ 1/16W J		R730	NRSA63J-103X	MG RESISTOR	10kΩ 1/16W J	
R519	NRSA63J-0R0X	MG RESISTOR	0Ω 1/16W J		R731	NRSA63J-103X	MG RESISTOR	10kΩ 1/16W J	
R521	NRSA63J-105X	MG RESISTOR	1MΩ 1/16W J		R732	NRSA63J-102X	MG RESISTOR	1kΩ 1/16W J	
R522	NRSA63J-221X	MG RESISTOR	220Ω 1/16W J		R733	NRSA63J-473X	MG RESISTOR	47kΩ 1/16W J	
R523	NRSA63J-472X	MG RESISTOR	4.7kΩ 1/16W J		R735	NRSA63J-472X	MG RESISTOR	4.7kΩ 1/16W J	
R524	NRSA63J-222X	MG RESISTOR	2.2kΩ 1/16W J		R736	NRSA63J-103X	MG RESISTOR	10kΩ 1/16W J	
R525	NRSA63J-102X	MG RESISTOR	1kΩ 1/16W J		R737	NRSA63J-472X	MG RESISTOR	4.7kΩ 1/16W J	
R526	NRSA63J-102X	MG RESISTOR	1kΩ 1/16W J		R738	NRSA63J-472X	MG RESISTOR	4.7kΩ 1/16W J	
R527	NRSA63J-222X	MG RESISTOR	2.2kΩ 1/16W J		R739	NRSA63J-103X	MG RESISTOR	10kΩ 1/16W J	
R528	NRSA63J-222X	MG RESISTOR	2.2kΩ 1/16W J		R740	NRSA63J-103X	MG RESISTOR	10kΩ 1/16W J	
R529	NRSA63J-222X	MG RESISTOR	2.2kΩ 1/16W J		R741	NRSA63J-473X	MG RESISTOR	47kΩ 1/16W J	
R530	NRSA63J-472X	MG RESISTOR	4.7kΩ 1/16W J		R742	NRSA63J-512X	MG RESISTOR	5.1kΩ 1/16W J	
R531	NRSA63J-472X	MG RESISTOR	4.7kΩ 1/16W J		R743	NRSA63J-473X	MG RESISTOR	47kΩ 1/16W J	
R532	NRSA63J-472X	MG RESISTOR	4.7kΩ 1/16W J		R745	NRSA63J-473X	MG RESISTOR	47kΩ 1/16W J	
R533	NRSA63J-273X	MG RESISTOR	27kΩ 1/16W J		R749	NRSA63J-473X	MG RESISTOR	47kΩ 1/16W J	
R534	NRSA63J-683X	MG RESISTOR	68kΩ 1/16W J		R751	NRSA63J-103X	MG RESISTOR	10kΩ 1/16W J	
R535	NRSA63J-103X	MG RESISTOR	10kΩ 1/16W J		R752	NRSA63J-103X	MG RESISTOR	10kΩ 1/16W J	
R537	NRSA63J-155X	MG RESISTOR	1.5MΩ 1/16W J		R753	NRSA63J-103X	MG RESISTOR	10kΩ 1/16W J	
R538	NRS181J-0R0X	MG RESISTOR	0Ω 1/8W J		R754	NRSA63J-103X	MG RESISTOR	10kΩ 1/16W J	
R539	NRS181J-0R0X	MG RESISTOR	0Ω 1/8W J		R755	NRSA63J-473X	MG RESISTOR	47kΩ 1/16W J	
R540	NRSA63J-333X	MG RESISTOR	33kΩ 1/16W J		R756	NRSA63J-473X	MG RESISTOR	47kΩ 1/16W J	
R541	NRSA63J-333X	MG RESISTOR	33kΩ 1/16W J		R801	NRSA63J-104X	MG RESISTOR	100kΩ 1/16W J	
R542	NRSA63J-472X	MG RESISTOR	4.7kΩ 1/16W J		R802	NRSA63J-104X	MG RESISTOR	100kΩ 1/16W J	
R543	NRSA63J-0R0X	MG RESISTOR	0Ω 1/16W J		R803	NRSA63J-101X	MG RESISTOR	100Ω 1/16W J	
R544	NRSA63J-0R0X	MG RESISTOR	0Ω 1/16W J		R804	NRSA63J-334X	MG RESISTOR	330kΩ 1/16W J	
R545	NRSA63J-332X	MG RESISTOR	3.3kΩ 1/16W J		R805	NRSA63J-334X	MG RESISTOR	330kΩ 1/16W J	
R547	NRSA63J-0R0X	MG RESISTOR	0Ω 1/16W J		R806	NRSA63J-104X	MG RESISTOR	100kΩ 1/16W J	
R548	NRSA63J-332X	MG RESISTOR	3.3kΩ 1/16W J		R807	NRSA63J-101X	MG RESISTOR	100Ω 1/16W J	
R550	NRSA63J-0R0X	MG RESISTOR	0Ω 1/16W J		R808	NRSA63J-223X	MG RESISTOR	22kΩ 1/16W J	
R551	NRSA63J-0R0X	MG RESISTOR	0Ω 1/16W J		R809	NRSA63J-103X	MG RESISTOR	10kΩ 1/16W J	
R553	NRSA63J-0R0X	MG RESISTOR	0Ω 1/16W J		R810	NRSA63J-104X	MG RESISTOR	100kΩ 1/16W J	
R554	NRSA63J-4R7X	MG RESISTOR	4.7Ω 1/16W J		R811	NRSA63J-4R7X	MG RESISTOR	4.7Ω 1/16W J	
R555	NRSA63J-0R0X	MG RESISTOR	0Ω 1/16W J		R901	NRSA63J-912X	MG RESISTOR	9.1kΩ 1/16W J	
R556	NRSA63J-473X	MG RESISTOR	47kΩ 1/16W J		R902	QRE142J-102X	C RESISTOR	1kΩ 1/4W J	
R557	NRSA63J-0R0X	MG RESISTOR	0Ω 1/16W J		R903	NRSA63J-472X	MG RESISTOR	4.7kΩ 1/16W J	
R558	NRSA63J-823X	MG RESISTOR	82kΩ 1/16W J		R905	NRSA63J-102X	MG RESISTOR	1kΩ 1/16W J	
R559	NRSA63J-821X	MG RESISTOR	820Ω 1/16W J		R906	NRSA63J-102X	MG RESISTOR	1kΩ 1/16W J	
R560	NRS181J-0R0X	MG RESISTOR	0Ω 1/8W J		R907	NRSA63J-123X	MG RESISTOR	12kΩ 1/16W J	
R561	NRSA63J-102X	MG RESISTOR	1kΩ 1/16W J		R908	NRSA63J-273X	MG RESISTOR	27kΩ 1/16W J	
R562	NRSA63J-102X	MG RESISTOR	1kΩ 1/16W J		R909	NRSA63J-273X	MG RESISTOR	27kΩ 1/16W J	
R565	NRSA63J-151X	MG RESISTOR	150Ω 1/16W J		R910	NRSA63J-473X	MG RESISTOR	47kΩ 1/16W J	
R566	NRSA02J-100X	MG RESISTOR	10Ω 1/10W J		R911	NRSA02J-222X	MG RESISTOR	2.2kΩ 1/10W J	
R581	NRSA63J-0R0X	MG RESISTOR	0Ω 1/16W J		R912	NRSA02J-222X	MG RESISTOR	2.2kΩ 1/10W J	
R582	NRSA63J-0R0X	MG RESISTOR	0Ω 1/16W J		R918	NRSA02J-103X	MG RESISTOR	10kΩ 1/10W J	
R583	NRSA63J-153X	MG RESISTOR	15kΩ 1/16W J		R971	NRSA02J-101X	MG RESISTOR	100Ω 1/10W J	
R584	NRSA63J-153X	MG RESISTOR	15kΩ 1/16W J		R972	NRSA02J-101X	MG RESISTOR	100Ω 1/10W J	
R585	NRSA63J-103X	MG RESISTOR	10kΩ 1/16W J						
R586	NRSA63J-103X	MG RESISTOR	10kΩ 1/16W J		L1	QQL244J-4R7Z	COIL	4.7uH J	
R587	NRSA63J-303X	MG RESISTOR	30kΩ 1/16W J		L571	QQL244K-4R7Z	COIL	4.7uH K	
R588	NRSA63J-303X	MG RESISTOR	30kΩ 1/16W J		L701	QQL244K-4R7Z	COIL	4.7uH K	
R589	NRSA63J-152X	MG RESISTOR	1.5kΩ 1/16W J		L901	QQR0703-001	CHOKE COIL		
R590	NRSA63J-152X	MG RESISTOR	1.5kΩ 1/16W J						
R591	NRS181J-223X	MG RESISTOR	22kΩ 1/8W J		CN501	QGB2027M4-22S	CONNECTOR	B-B (1-22)	
R592	NRSA63J-223X	MG RESISTOR	22kΩ 1/16W J		CN701	QGZ1601J1-15	CONNECTOR	(1-15)	
R593	NRSA63J-223X	MG RESISTOR	22kΩ 1/16W J		CN901	QNZ0611-001	16P CONNECTOR		
R594	NRSA63J-223X	MG RESISTOR	22kΩ 1/16W J		J1	QNB0190-001	CAR ANT JACK		
R701	NRSA63J-332X	MG RESISTOR	3.3kΩ 1/16W J		J321	QNN0519-001	PIN JACK		
R705	NRSA63J-103X	MG RESISTOR	10kΩ 1/16W J		J801	QNZ0095-001	CONNECTOR		
R706	NRSA63J-103X	MG RESISTOR	10kΩ 1/16W J						
R707	NRSA63J-473X	MG RESISTOR	47kΩ 1/16W J		TU1	QAU0394-002	TUNER PACK		G465 U2
R708	NRSA63J-332X	MG RESISTOR	3.3kΩ 1/16W J						
R709	NRSA63J-332X	MG RESISTOR	3.3kΩ 1/16W J						
R710	NRSA63J-473X	MG RESISTOR	47kΩ 1/16W J						
R711	NRS181J-103X	MG RESISTOR	10kΩ 1/8W J						

△ Symbol No.	Part No.	Part Name	Description	Local
TU1	QAU0394-001	TUNER PACK		G465 UH2, G465 UN2, G465 UT2
X521 X701	QAX0714-001Z QAX0406-001Z	C RESONATOR CRYSTAL	16.000MHz 4.500MHz	

## Switch board (KD-G465\_UT2,UH2,UN2,U2)

Block No. [0][4]

△ Symbol No.	Part No.	Part Name	Description	Local
IC661 IC681	PT6523LQ-L RPM7338-V4	LCD DRIVER RM.RECEIVER		
Q670 Q671	2SB624/4/-X UN2211-X	TRANSISTOR TRANSISTOR		
D630 D631 D632 D633 D634 D635 D636 D637 D638 D639 D640 D641 D642 D643 D644 D645 D646 D647 D648 D649 D650 D651 D652 D653 D661 D662 D681	SML-310LT/MN/-X SML-310VT/JK/-X SML-310VT/JK/-X SML-310VT/JK/-X SML-310VT/JK/-X SML-310VT/JK/-X SML-310VT/JK/-X SML-310VT/JK/-X SML-310VT/JK/-X SML-310VT/JK/-X SML-310VT/JK/-X SML-310VT/JK/-X SML-310VT/JK/-X SML-310VT/JK/-X SML-310VT/JK/-X SML-310VT/JK/-X SML-310VT/JK/-X SML-310VT/JK/-X SML-310VT/JK/-X SML-310VT/JK/-X NSPW310BS/BRST/ NSPW310BS/BRST/ MA111-X MA8051/M/-X MA8062/M/-X	LED WHITE LED WHITE LED SI DIODE Z DIODE Z DIODE		
C661 C662 C663 C681 C686 C687	NBE20JM-106X NCS31HJ-681X NCB31HK-223X NBE20JM-475X NCB31HK-223X NCB31HK-223X	TA E CAPACITOR C CAPACITOR C CAPACITOR TA E CAPACITOR C CAPACITOR C CAPACITOR	10uF 6.3V M 680pF 50V J 0.022uF 50V K 4.7uF 6.3V M 0.022uF 50V K 0.022uF 50V K	
R601 R602 R603 R604 R605 R606 R607 R608 R609 R610 R611 R612 R613 R614 R615 R630 R631 R633	NRSA63J-821X NRSA63J-821X NRSA63J-122X NRSA63J-182X NRSA63J-272X NRSA63J-821X NRSA63J-821X NRSA63J-122X NRSA63J-182X NRSA63J-821X NRSA63J-122X NRSA63J-122X NRSA63J-122X NRSA63J-182X NRSA63J-272X NRSA63J-392X NRSA02J-821X NRSA02J-471X NRSA02J-681X	MG RESISTOR MG RESISTOR MG RESISTOR MG RESISTOR MG RESISTOR MG RESISTOR MG RESISTOR MG RESISTOR MG RESISTOR MG RESISTOR MG RESISTOR MG RESISTOR MG RESISTOR MG RESISTOR MG RESISTOR MG RESISTOR MG RESISTOR MG RESISTOR MG RESISTOR MG RESISTOR	820Ω 1/16W J 820Ω 1/16W J 1.2kΩ 1/16W J 1.8kΩ 1/16W J 2.7kΩ 1/16W J 820Ω 1/16W J 820Ω 1/16W J 1.2kΩ 1/16W J 1.8kΩ 1/16W J 820Ω 1/16W J 1.2kΩ 1/16W J 1.2kΩ 1/16W J 1.2kΩ 1/16W J 1.8kΩ 1/16W J 2.7kΩ 1/16W J 3.9kΩ 1/16W J 820Ω 1/10W J 470Ω 1/10W J 680Ω 1/10W J	

△ Symbol No.	Part No.	Part Name	Description	Local
R637 R639 R641 R643 R645 R647 R649 R650 R651 R661 R662 R663 R664 R665 R666 R667 R668 R670 R671 R672 R681 R682 R686 R687 R688	NRSA02J-821X NRSA02J-331X NRSA02J-331X NRSA02J-471X NRSA02J-471X NRSA02J-471X NRS181J-391X NRS181J-391X NRSA02J-471X NRSA63J-222X NRSA63J-222X NRSA63J-184X NRSA63J-103X NRSA63J-513X NRSA63J-103X NRSA63J-103X NRSA63J-103X NRS181J-471X NRSA63J-473X NRS181J-102X NRSA63J-471X NRSA63J-103X NRSA63J-101X NRSA63J-473X NRSA63J-473X	MG RESISTOR MG RESISTOR	820Ω 1/10W J 330Ω 1/10W J 330Ω 1/10W J 470Ω 1/10W J 470Ω 1/10W J 470Ω 1/10W J 390Ω 1/8W J 390Ω 1/8W J 470Ω 1/10W J 2.2kΩ 1/16W J 2.2kΩ 1/16W J 180kΩ 1/16W J 10kΩ 1/16W J 51kΩ 1/16W J 10kΩ 1/16W J 10kΩ 1/16W J 10kΩ 1/16W J 470Ω 1/8W J 47kΩ 1/16W J 1kΩ 1/8W J 470Ω 1/16W J 10kΩ 1/16W J 100Ω 1/16W J 47kΩ 1/16W J 47kΩ 1/16W J	
CJ601 JS686	QGZ1601K1-15S QSW0793-001	CONNECTOR ROTARY ENCODER	(1-15)	
S601 S602 S603 S604 S605 S606 S607 S608 S609 S610 S611 S612 S613 S614 S615 S616 S617 S618	NSW0124-001X NSW0124-001X NSW0124-001X NSW0124-001X NSW0124-001X NSW0124-001X NSW0124-001X NSW0124-001X NSW0124-001X NSW0124-001X NSW0124-001X NSW0124-001X NSW0124-001X NSW0124-001X NSW0124-001X NSW0124-001X NSW0124-001X NSW0124-001X	TACT SW TACT SW TACT SW TACT SW TACT SW TACT SW TACT SW TACT SW TACT SW TACT SW TACT SW TACT SW TACT SW TACT SW TACT SW TACT SW TACT SW TACT SW		

## Main board (KD-G465\_UH3,UN3,U3)

Block No. [0][5]

△ Symbol No.	Part No.	Part Name	Description	Local
IC31 IC161 IC301 IC401 IC461 IC481 IC501 IC521 IC541 IC581 IC701 IC702 IC801 IC901	TB2118F-X TEA6320T-X LA47516 TC94A34FG-002 NJU7772F15-X AK4385ET-X LA6242H-X TA2157FN-X TC94A14FA NJM4565M-WE UPD784217AGC302 IC-PST3433U-X HD74HC126FP-X AN80T07A	PLL IC IC POWER IC IC IC IC IC RF AMP IC CD LSI IC IC IC IC IC REGULATOR IC		
Q1 Q5 Q6 Q7 Q10 Q31 Q341	2SD601A/QR-X 2SB709A/R/-X 2SB624/4/-X UN2211-X UN2211-X UN2211-X KTD1304-X	TRANSISTOR TRANSISTOR TRANSISTOR TRANSISTOR TRANSISTOR TRANSISTOR TRANSISTOR		

△ Symbol No.	Part No.	Part Name	Description	Local	△ Symbol No.	Part No.	Part Name	Description	Local
Q351	KTD1304-X	TRANSISTOR			C91	QEKJ1HM-105Z	E CAPACITOR	1uF 50V M	
Q401	2SB624/4/-X	TRANSISTOR			C92	NCB31HK-332X	C CAPACITOR	3300pF 50V K	
Q402	UN2211-X	TRANSISTOR			C94	NCB31HK-153X	C CAPACITOR	0.015uF 50V K	
Q430	2SD601A/QR/-X	TRANSISTOR			C95	NCB31HK-103X	C CAPACITOR	0.01uF 50V K	
Q440	UN2211-X	TRANSISTOR			C161	QTE1H54-225Z	E CAPACITOR	2.2uF 50V	
Q501	2SB1322/RS/-T	TRANSISTOR			C162	QEKJ1HM-105Z	E CAPACITOR	1uF 50V M	
Q502	2SB1132/QR/-W	TRANSISTOR			C163	QEKJ1HM-105Z	E CAPACITOR	1uF 50V M	
Q521	2SB1241/QR/-T	TRANSISTOR			C164	NCB31HK-822X	C CAPACITOR	8200pF 50V K	
Q541	UN2111-X	TRANSISTOR			C165	NCB31AK-224X	C CAPACITOR	0.22uF 10V K	
Q542	UN2211-X	TRANSISTOR			C166	NCB21CK-224X	C CAPACITOR	0.22uF 16V K	
Q543	UN2111-X	TRANSISTOR			C167	NCB31EK-333X	C CAPACITOR	0.033uF 25V K	
Q781	UN2111-X	TRANSISTOR			C168	NCB31HK-562X	C CAPACITOR	5600pF 50V K	
Q782	UN2211-X	TRANSISTOR			C169	QEKJ1EM-475Z	E CAPACITOR	4.7uF 25V M	
Q784	UN2111-X	TRANSISTOR			C170	QEKJ1EM-475Z	E CAPACITOR	4.7uF 25V M	
Q976	UN2211-X	TRANSISTOR			C171	QTE1H54-225Z	E CAPACITOR	2.2uF 50V	
Q977	2SB709A/QR/-X	TRANSISTOR			C172	QEKJ1HM-105Z	E CAPACITOR	1uF 50V M	
					C173	QEKJ1HM-105Z	E CAPACITOR	1uF 50V M	
D1	MA111-X	SI DIODE			C174	NCB31HK-822X	C CAPACITOR	8200pF 50V K	
D2	MA111-X	SI DIODE			C175	NCB31AK-224X	C CAPACITOR	0.22uF 10V K	
D4	MA111-X	SI DIODE			C176	NCB21CK-224X	C CAPACITOR	0.22uF 16V K	
D5	MA111-X	SI DIODE			C177	NCB31EK-333X	C CAPACITOR	0.033uF 25V K	
D51	MA111-X	SI DIODE			C178	NCB31HK-562X	C CAPACITOR	5600pF 50V K	
D341	MA111-X	SI DIODE			C179	QEKJ1EM-475Z	E CAPACITOR	4.7uF 25V M	
D351	MA111-X	SI DIODE			C180	QEKJ1EM-475Z	E CAPACITOR	4.7uF 25V M	
D481	MA8051/M/-X	Z DIODE			C191	QEKJ1CM-476Z	E CAPACITOR	47uF 16V M	
D701	MA8062/M/-X	Z DIODE			C192	QEKJ1AM-107Z	E CAPACITOR	100uF 10V M	
D702	MA8062/M/-X	Z DIODE			C193	QEKJ1AM-107Z	E CAPACITOR	100uF 10V M	
D703	MA8062/M/-X	Z DIODE			C194	NCB31EK-823X	C CAPACITOR	0.082uF 25V K	
D704	MA8062/M/-X	Z DIODE			C301	QFV91HJ-474Z	MF CAPACITOR	0.47uF 50V J	
D705	MA8062/M/-X	Z DIODE			C302	QFV91HJ-474Z	MF CAPACITOR	0.47uF 50V J	
D706	MA8062/M/-X	Z DIODE			C303	NDC31HJ-101X	C CAPACITOR	100pF 50V J	
D707	MA8062/M/-X	Z DIODE			C304	NDC31HJ-101X	C CAPACITOR	100pF 50V J	
D708	MA8062/M/-X	Z DIODE			C307	QEKJ1HM-105Z	E CAPACITOR	1uF 50V M	
D709	MA8062/M/-X	Z DIODE			C308	QEKJ1HM-105Z	E CAPACITOR	1uF 50V M	
D710	MA111-X	SI DIODE			C311	QFV91HJ-474Z	MF CAPACITOR	0.47uF 50V J	
D712	MA8062/M/-X	Z DIODE			C312	QFV91HJ-474Z	MF CAPACITOR	0.47uF 50V J	
D713	MA8062/M/-X	Z DIODE			C313	NDC31HJ-101X	C CAPACITOR	100pF 50V J	
D781	MA111-X	SI DIODE			C314	NDC31HJ-101X	C CAPACITOR	100pF 50V J	
D782	MA111-X	SI DIODE			C315	QEKJ1HM-225Z	E CAPACITOR	2.2uF 50V M	
D784	MA8110/M/-X	Z DIODE			C316	QEKJ1EM-475Z	E CAPACITOR	4.7uF 25V M	
D851	RB160M-30-X	SB DIODE			C317	QEKJ1CM-476Z	E CAPACITOR	47uF 16V M	
D852	RB160M-30-X	SB DIODE			C318	QEKJ1CM-226Z	E CAPACITOR	22uF 16V M	
D901	1N5401-F64	DIODE			C319	NCB31EK-223X	C CAPACITOR	0.022uF 25V K	
D902	MA111-X	SI DIODE			C320	NCB31EK-223X	C CAPACITOR	0.022uF 25V K	
D971	RB160M-30-X	SB DIODE			C322	NCB31EK-104X	C CAPACITOR	0.1uF 25V K	
D972	RB160M-30-X	SB DIODE			C323	NCB31EK-104X	C CAPACITOR	0.1uF 25V K	
					C324	NCB31EK-104X	C CAPACITOR	0.1uF 25V K	
C1	QEKJ1CM-226Z	E CAPACITOR	22uF 16V M		C325	NCB31EK-104X	C CAPACITOR	0.1uF 25V K	
C2	NCB31EK-473X	C CAPACITOR	0.047uF 25V K		C341	NCB31EK-473X	C CAPACITOR	0.047uF 25V K	
C3	NCB31EK-103X	C CAPACITOR	0.01uF 25V K		C355	QEKJ1CM-107Z	E CAPACITOR	100uF 16V M	
C4	QEKJ1AM-227Z	E CAPACITOR	220uF 10V M		C357	NCB31EK-473X	C CAPACITOR	0.047uF 25V K	
C5	QERF1HM-104Z	E CAPACITOR	0.1uF 50V M		C403	NCB31HK-103X	C CAPACITOR	0.01uF 50V K	
C6	NCB31HK-103X	C CAPACITOR	0.01uF 50V K		C404	NCB31HK-103X	C CAPACITOR	0.01uF 50V K	
C7	QEKJ1CM-226Z	E CAPACITOR	22uF 16V M		C405	QERF1HM-105Z	E CAPACITOR	1uF 50V M	
C31	QEKJ1AM-107Z	E CAPACITOR	100uF 10V M		C406	NCB31EK-103X	C CAPACITOR	0.01uF 25V K	
C32	NDC31HJ-470X	C CAPACITOR	47pF 50V J		C407	QERF1AM-107Z	E CAPACITOR	100uF 10V M	
C33	QEKJ0JM-476Z	E CAPACITOR	47uF 6.3V M		C408	NCB31HK-103X	C CAPACITOR	0.01uF 50V K	
C34	NCB31EK-473X	C CAPACITOR	0.047uF 25V K		C411	QEKJ0JM-107Z	E CAPACITOR	100uF 6.3V M	
C35	NDC31HJ-100X	C CAPACITOR	10pF 50V J		C412	NCB31HK-103X	C CAPACITOR	0.01uF 50V K	
C36	NDC31HJ-7R0X	C CAPACITOR	7pF 50V J		C413	NCB31EK-104X	C CAPACITOR	0.1uF 25V K	
C37	NDC31HJ-100X	C CAPACITOR	10pF 50V J		C414	NCB31HK-222X	C CAPACITOR	2200pF 50V K	
C38	NCB31HK-102X	C CAPACITOR	1000pF 50V K		C415	NCB31EK-104X	C CAPACITOR	0.1uF 25V K	
C39	NCB31HK-102X	C CAPACITOR	1000pF 50V K		C416	QEKJ0JM-107Z	E CAPACITOR	100uF 6.3V M	
C40	QEKJ1CM-106Z	E CAPACITOR	10uF 16V M		C418	NCB31HK-103X	C CAPACITOR	0.01uF 50V K	
C41	NCB31EK-473X	C CAPACITOR	0.047uF 25V K		C419	NDC31HJ-7R0X	C CAPACITOR	7pF 50V J	
C42	NCB31HK-103X	C CAPACITOR	0.01uF 50V K		C420	NDC31HJ-8R0X	C CAPACITOR	8pF 50V J	
C43	QFV61HJ-473Z	MF CAPACITOR	0.047uF 50V J		C421	NCB31HK-103X	C CAPACITOR	0.01uF 50V K	
C44	NCB31HK-103X	C CAPACITOR	0.01uF 50V K		C422	QEKJ1AM-107Z	E CAPACITOR	100uF 10V M	
C45	NCB31HK-272X	C CAPACITOR	2700pF 50V K		C430	NCB31HK-103X	C CAPACITOR	0.01uF 50V K	
C46	NCB31HK-103X	C CAPACITOR	0.01uF 50V K		C431	NDC31HJ-101X	C CAPACITOR	100pF 50V J	
C47	NCB31HK-103X	C CAPACITOR	0.01uF 50V K		C440	NCB31HK-103X	C CAPACITOR	0.01uF 50V K	
C48	NCB31EK-473X	C CAPACITOR	0.047uF 25V K		C461	NCB31EK-104X	C CAPACITOR	0.1uF 25V K	
C49	NCB31HK-102X	C CAPACITOR	1000pF 50V K		C462	QEKJ0JM-107Z	E CAPACITOR	100uF 6.3V M	
C50	NDC31HJ-101X	C CAPACITOR	100pF 50V J		C463	QEKJ0JM-107Z	E CAPACITOR	100uF 6.3V M	
C51	NDC31HJ-331X	C CAPACITOR	330pF 50V J		C464	NCB31EK-104X	C CAPACITOR	0.1uF 25V K	
C81	QEKJ1HM-105Z	E CAPACITOR	1uF 50V M		C481	QERF1CM-476Z	E CAPACITOR	47uF 16V M	
C82	NCB31HK-332X	C CAPACITOR	3300pF 50V K		C482	NCB31EK-104X	C CAPACITOR	0.1uF 25V K	
C84	NCB31HK-153X	C CAPACITOR	0.015uF 50V K		C483	NCB31EK-104X	C CAPACITOR	0.1uF 25V K	

△ Symbol No.	Part No.	Part Name	Description	Local	△ Symbol No.	Part No.	Part Name	Description	Local
C501	QEKJ1CM-476Z	E CAPACITOR	47uF 16V M		C711	QEKJ0JM-227Z	E CAPACITOR	220uF 6.3V M	
C502	NCB31HK-103X	C CAPACITOR	0.01uF 50V K		C712	NCB31HK-103X	C CAPACITOR	0.01uF 50V K	
C503	QEKJ1AM-107Z	E CAPACITOR	100uF 10V M		C713	NCB31EK-104X	C CAPACITOR	0.1uF 25V K	
C504	NCB31EK-473X	C CAPACITOR	0.047uF 25V K		C716	NCB31EK-104X	C CAPACITOR	0.1uF 25V K	
C505	NCB31EK-473X	C CAPACITOR	0.047uF 25V K		C717	NCB31EK-104X	C CAPACITOR	0.1uF 25V K	
C506	NCB31EK-473X	C CAPACITOR	0.047uF 25V K		C718	NCB31EK-104X	C CAPACITOR	0.1uF 25V K	
C507	NCB31EK-473X	C CAPACITOR	0.047uF 25V K		C770	NCB31EK-473X	C CAPACITOR	0.047uF 25V K	
C510	NCB31EK-103X	C CAPACITOR	0.01uF 25V K		C771	NDC31HJ-101X	C CAPACITOR	100pF 50V J	
C512	QERF1CM-476Z	E CAPACITOR	47uF 16V M		C772	NCB31EK-104X	C CAPACITOR	0.1uF 25V K	
C513	NCB31EK-103X	C CAPACITOR	0.01uF 25V K		C781	QEKJ0JM-476Z	E CAPACITOR	47uF 6.3V M	
C514	NCB31EK-103X	C CAPACITOR	0.01uF 25V K		C783	NCB31EK-823X	C CAPACITOR	0.082uF 25V K	
C521	NCB31HK-103X	C CAPACITOR	0.01uF 50V K		C784	QEKJ1CM-107Z	E CAPACITOR	100uF 16V M	
C522	NCB31HK-103X	C CAPACITOR	0.01uF 50V K		C801	NCB31EK-473X	C CAPACITOR	0.047uF 25V K	
C523	QEKJ1AM-107Z	E CAPACITOR	100uF 10V M		C802	NCB31HK-103X	C CAPACITOR	0.01uF 50V K	
C524	NCB31HK-103X	C CAPACITOR	0.01uF 50V K		C851	QEKJ1CM-106Z	E CAPACITOR	10uF 16V M	
C525	QEKJ1AM-107Z	E CAPACITOR	100uF 10V M		C852	NCB31HK-103X	C CAPACITOR	0.01uF 50V K	
C527	NCB31HK-682X	C CAPACITOR	6800pF 50V K		C901	QEZ0676-338	E CAPACITOR	3300uF	
C528	NCB31HK-103X	C CAPACITOR	0.01uF 50V K		C902	QEKJ1HM-225Z	E CAPACITOR	2.2uF 50V M	
C529	QEKJ1AM-107Z	E CAPACITOR	100uF 10V M		C903	QEKJ1CM-226Z	E CAPACITOR	22uF 16V M	
C530	NCB31EK-104X	C CAPACITOR	0.1uF 25V K		C904	QEKJ1CM-106Z	E CAPACITOR	10uF 16V M	
C531	NCB31EK-104X	C CAPACITOR	0.1uF 25V K		C905	QEKJ1CM-476Z	E CAPACITOR	47uF 16V M	
C532	NDC31HJ-680X	C CAPACITOR	68pF 50V J		C906	NCB31HK-103X	C CAPACITOR	0.01uF 50V K	
C533	NCB31HK-103X	C CAPACITOR	0.01uF 50V K		C907	QEKJ1AM-227Z	E CAPACITOR	220uF 10V M	
C534	NDC31HJ-5R0X	C CAPACITOR	5pF 50V J		C908	QEKJ1AM-227Z	E CAPACITOR	220uF 10V M	
C541	QEKJ1AM-107Z	E CAPACITOR	100uF 10V M		C909	QEKJ1AM-227Z	E CAPACITOR	220uF 10V M	
C542	NCB31HK-103X	C CAPACITOR	0.01uF 50V K		C910	QEKJ1CM-476Z	E CAPACITOR	47uF 16V M	
C543	QEKJ1HM-105Z	E CAPACITOR	1uF 50V M		C911	NCB31CK-104X	C CAPACITOR	0.1uF 16V K	
C544	QEKJ1AM-107Z	E CAPACITOR	100uF 10V M		C912	NCB31HK-103X	C CAPACITOR	0.01uF 50V K	
C545	NCB31HK-103X	C CAPACITOR	0.01uF 50V K		C913	QEKJ1CM-106Z	E CAPACITOR	10uF 16V M	
C546	NDC31HJ-470X	C CAPACITOR	47pF 50V J		C914	QEKJ1CM-107Z	E CAPACITOR	100uF 16V M	
C547	NCB31HK-153X	C CAPACITOR	0.015uF 50V K		C915	NCB31CK-104X	C CAPACITOR	0.1uF 16V K	
C548	NCB31HK-103X	C CAPACITOR	0.01uF 50V K		C919	QEKJ1CM-106Z	E CAPACITOR	10uF 16V M	
C549	NCB31HK-272X	C CAPACITOR	2700pF 50V K		C961	NDC31HJ-101X	C CAPACITOR	100pF 50V J	
C550	NCB31HK-103X	C CAPACITOR	0.01uF 50V K		C962	NDC31HJ-101X	C CAPACITOR	100pF 50V J	
C551	NCB31EK-333X	C CAPACITOR	0.033uF 25V K		C963	NDC31HJ-101X	C CAPACITOR	100pF 50V J	
C552	NCB31EK-333X	C CAPACITOR	0.033uF 25V K		C964	NDC31HJ-101X	C CAPACITOR	100pF 50V J	
C553	NCB31EK-473X	C CAPACITOR	0.047uF 25V K		C965	NDC31HJ-101X	C CAPACITOR	100pF 50V J	
C554	NCB31EK-473X	C CAPACITOR	0.047uF 25V K		C966	NDC31HJ-101X	C CAPACITOR	100pF 50V J	
C555	NCB31EK-473X	C CAPACITOR	0.047uF 25V K		C967	NDC31HJ-101X	C CAPACITOR	100pF 50V J	
C556	NCB31HK-471X	C CAPACITOR	470pF 50V K		C968	NDC31HJ-101X	C CAPACITOR	100pF 50V J	
C557	NCB31HK-471X	C CAPACITOR	470pF 50V K		C971	NCB31EK-104X	C CAPACITOR	0.1uF 25V K	
C558	NCB31EK-473X	C CAPACITOR	0.047uF 25V K		R1	NRS181J-120X	MG RESISTOR	12Ω 1/8W J	
C559	NCB31EK-473X	C CAPACITOR	0.047uF 25V K		R2	NRSA63J-473X	MG RESISTOR	47kΩ 1/16W J	
C560	NCB31HK-103X	C CAPACITOR	0.01uF 50V K		R4	NRSA63J-332X	MG RESISTOR	3.3kΩ 1/16W J	
C561	QEKJ1AM-107Z	E CAPACITOR	100uF 10V M		R5	NRSA63J-473X	MG RESISTOR	47kΩ 1/16W J	
C562	NCB31HK-103X	C CAPACITOR	0.01uF 50V K		R6	NRSA63J-473X	MG RESISTOR	47kΩ 1/16W J	
C565	NCB31HK-103X	C CAPACITOR	0.01uF 50V K		R7	NRSA63J-472X	MG RESISTOR	4.7kΩ 1/16W J	
C566	QEKJ1AM-107Z	E CAPACITOR	100uF 10V M		R9	NRSA63J-470X	MG RESISTOR	47Ω 1/16W J	
C568	NCB31EK-104X	C CAPACITOR	0.1uF 25V K		R10	NRSA63J-103X	MG RESISTOR	10kΩ 1/16W J	
C570	QERF1AM-476Z	E CAPACITOR	47uF 10V M		R31	NRS181J-100X	MG RESISTOR	10Ω 1/8W J	
C571	NCB31HK-103X	C CAPACITOR	0.01uF 50V K		R32	NRSA63J-622X	MG RESISTOR	6.2kΩ 1/16W J	
C572	QERF1AM-107Z	E CAPACITOR	100uF 10V M		R33	NRSA63J-103X	MG RESISTOR	10kΩ 1/16W J	
C580	QEKJ1EM-475Z	E CAPACITOR	4.7uF 25V M		R34	NRSA63J-222X	MG RESISTOR	2.2kΩ 1/16W J	
C581	NCB31HK-332X	C CAPACITOR	3300pF 50V K		R35	NRSA63J-222X	MG RESISTOR	2.2kΩ 1/16W J	
C582	NDC31HJ-271X	C CAPACITOR	270pF 50V J		R36	NRSA63J-222X	MG RESISTOR	2.2kΩ 1/16W J	
C583	NDC31HJ-271X	C CAPACITOR	270pF 50V J		R37	NRSA63J-222X	MG RESISTOR	2.2kΩ 1/16W J	
C584	NCB31EK-104X	C CAPACITOR	0.1uF 25V K		R38	NRSA63J-101X	MG RESISTOR	100Ω 1/16W J	
C585	QEKJ0JM-476Z	E CAPACITOR	47uF 6.3V M		R39	NRSA63J-0R0X	MG RESISTOR	0Ω 1/16W J	
C589	QEKJ1EM-475Z	E CAPACITOR	4.7uF 25V M		R40	NRSA63J-393X	MG RESISTOR	39kΩ 1/16W J	
C590	QEKJ1EM-475Z	E CAPACITOR	4.7uF 25V M		R41	NRSA63J-103X	MG RESISTOR	10kΩ 1/16W J	
C591	NCB31HK-332X	C CAPACITOR	3300pF 50V K		R42	NRSA02J-100X	MG RESISTOR	10Ω 1/10W J	
C592	NDC31HJ-271X	C CAPACITOR	270pF 50V J		R43	NRSA63J-471X	MG RESISTOR	470Ω 1/16W J	
C593	NDC31HJ-271X	C CAPACITOR	270pF 50V J		R44	NRSA63J-221X	MG RESISTOR	220Ω 1/16W J	
C594	NCB31EK-104X	C CAPACITOR	0.1uF 25V K		R51	NRSA63J-223X	MG RESISTOR	22kΩ 1/16W J	
C595	QEKJ0JM-476Z	E CAPACITOR	47uF 6.3V M		R52	NRSA63J-104X	MG RESISTOR	100kΩ 1/16W J	
C596	QEKJ1AM-107Z	E CAPACITOR	100uF 10V M		R81	NRSA63J-332X	MG RESISTOR	3.3kΩ 1/16W J	
C597	NCB31HK-103X	C CAPACITOR	0.01uF 50V K		R82	NRSA63J-133X	MG RESISTOR	13kΩ 1/16W J	
C599	QEKJ1EM-475Z	E CAPACITOR	4.7uF 25V M		R91	NRSA63J-332X	MG RESISTOR	3.3kΩ 1/16W J	
C701	NDC31HJ-220X	C CAPACITOR	22pF 50V J		R92	NRSA63J-133X	MG RESISTOR	13kΩ 1/16W J	
C702	NDC31HJ-270X	C CAPACITOR	27pF 50V J		R162	NRSA63J-223X	MG RESISTOR	22kΩ 1/16W J	
C703	NDC31HJ-270X	C CAPACITOR	27pF 50V J		R163	NRSA63J-222X	MG RESISTOR	2.2kΩ 1/16W J	
C704	NDC31HJ-8R0X	C CAPACITOR	8pF 50V J		R164	NRSA63J-473X	MG RESISTOR	47kΩ 1/16W J	
C705	NCB31EK-473X	C CAPACITOR	0.047uF 25V K		R165	NRSA63J-473X	MG RESISTOR	47kΩ 1/16W J	
C706	NCB31EK-473X	C CAPACITOR	0.047uF 25V K		R172	NRSA63J-223X	MG RESISTOR	22kΩ 1/16W J	
C707	NCB31EK-104X	C CAPACITOR	0.1uF 25V K		R173	NRSA63J-222X	MG RESISTOR	2.2kΩ 1/16W J	
C708	NCB31EK-473X	C CAPACITOR	0.047uF 25V K		R174	NRSA63J-473X	MG RESISTOR	47kΩ 1/16W J	
C709	NCB31EK-104X	C CAPACITOR	0.1uF 25V K		R175	NRSA63J-473X	MG RESISTOR	47kΩ 1/16W J	
C710	QERF0JM-476Z	E CAPACITOR	47uF 6.3V M						

△ Symbol No.	Part No.	Part Name	Description	Local	△ Symbol No.	Part No.	Part Name	Description	Local
R181	NRSA63J-271X	MG RESISTOR	270Ω 1/16W J		R545	NRSA63J-103X	MG RESISTOR	10kΩ 1/16W J	
R182	NRSA63J-271X	MG RESISTOR	270Ω 1/16W J		R546	NRSA63J-0R0X	MG RESISTOR	0Ω 1/16W J	
R301	NRSA63J-273X	MG RESISTOR	27kΩ 1/16W J		R547	NRSA63J-0R0X	MG RESISTOR	0Ω 1/16W J	
R302	NRSA63J-273X	MG RESISTOR	27kΩ 1/16W J		R548	NRSA63J-0R0X	MG RESISTOR	0Ω 1/16W J	
R311	NRSA63J-273X	MG RESISTOR	27kΩ 1/16W J		R549	NRSA63J-101X	MG RESISTOR	100Ω 1/16W J	
R312	NRSA63J-273X	MG RESISTOR	27kΩ 1/16W J		R550	NRSA63J-101X	MG RESISTOR	100Ω 1/16W J	
R341	NRSA63J-222X	MG RESISTOR	2.2kΩ 1/16W J		R551	NRSA63J-101X	MG RESISTOR	100Ω 1/16W J	
R342	NRSA63J-821X	MG RESISTOR	820Ω 1/16W J		R552	NRSA63J-101X	MG RESISTOR	100Ω 1/16W J	
R343	NRSA63J-101X	MG RESISTOR	100Ω 1/16W J		R553	NRSA63J-105X	MG RESISTOR	1MΩ 1/16W J	
R351	NRSA63J-222X	MG RESISTOR	2.2kΩ 1/16W J		R554	NRSA63J-103X	MG RESISTOR	10kΩ 1/16W J	
R352	NRSA63J-821X	MG RESISTOR	820Ω 1/16W J		R555	NRSA63J-103X	MG RESISTOR	10kΩ 1/16W J	
R353	NRSA63J-101X	MG RESISTOR	100Ω 1/16W J		R556	NRSA63J-103X	MG RESISTOR	10kΩ 1/16W J	
R402	NRSA63J-470X	MG RESISTOR	47Ω 1/16W J		R557	NRSA63J-103X	MG RESISTOR	10kΩ 1/16W J	
R404	NRSA63J-103X	MG RESISTOR	10kΩ 1/16W J		R558	NRSA63J-103X	MG RESISTOR	10kΩ 1/16W J	
R405	NRSA63J-225X	MG RESISTOR	2.2MΩ 1/16W J		R559	NRSA63J-155X	MG RESISTOR	1.5MΩ 1/16W J	
R406	NRSA63J-470X	MG RESISTOR	47Ω 1/16W J		R581	NRSA63J-822X	MG RESISTOR	8.2kΩ 1/16W J	
R407	NRSA63J-222X	MG RESISTOR	2.2kΩ 1/16W J		R582	NRSA63J-822X	MG RESISTOR	8.2kΩ 1/16W J	
R408	NRSA63J-222X	MG RESISTOR	2.2kΩ 1/16W J		R583	NRSA63J-822X	MG RESISTOR	8.2kΩ 1/16W J	
R409	NRSA63J-222X	MG RESISTOR	2.2kΩ 1/16W J		R584	NRSA63J-181X	MG RESISTOR	180Ω 1/16W J	
R412	NRSA63J-472X	MG RESISTOR	4.7kΩ 1/16W J		R585	NRSA63J-181X	MG RESISTOR	180Ω 1/16W J	
R413	NRSA63J-472X	MG RESISTOR	4.7kΩ 1/16W J		R586	NRSA63J-682X	MG RESISTOR	6.8kΩ 1/16W J	
R414	NRSA63J-472X	MG RESISTOR	4.7kΩ 1/16W J		R587	NRSA63J-102X	MG RESISTOR	1kΩ 1/16W J	
R415	NRSA63J-473X	MG RESISTOR	47kΩ 1/16W J		R588	NRSA63J-102X	MG RESISTOR	1kΩ 1/16W J	
R416	NRSA63J-102X	MG RESISTOR	1kΩ 1/16W J		R591	NRSA63J-822X	MG RESISTOR	8.2kΩ 1/16W J	
R423	NRSA63J-103X	MG RESISTOR	10kΩ 1/16W J		R592	NRSA63J-822X	MG RESISTOR	8.2kΩ 1/16W J	
R424	NRSA63J-221X	MG RESISTOR	220Ω 1/16W J		R593	NRSA63J-822X	MG RESISTOR	8.2kΩ 1/16W J	
R430	NRSA63J-472X	MG RESISTOR	4.7kΩ 1/16W J		R594	NRSA63J-181X	MG RESISTOR	180Ω 1/16W J	
R431	NRSA63J-103X	MG RESISTOR	10kΩ 1/16W J		R595	NRSA63J-181X	MG RESISTOR	180Ω 1/16W J	
R432	NRSA63J-682X	MG RESISTOR	6.8kΩ 1/16W J		R596	NRSA63J-682X	MG RESISTOR	6.8kΩ 1/16W J	
R433	NRSA63J-101X	MG RESISTOR	100Ω 1/16W J		R597	NRSA63J-102X	MG RESISTOR	1kΩ 1/16W J	
R440	NRSA63J-472X	MG RESISTOR	4.7kΩ 1/16W J		R598	NRSA63J-102X	MG RESISTOR	1kΩ 1/16W J	
R451	NRSA63J-223X	MG RESISTOR	22kΩ 1/16W J		R701	NRSA63J-473X	MG RESISTOR	47kΩ 1/16W J	
R452	NRSA63J-473X	MG RESISTOR	47kΩ 1/16W J		R702	NRSA63J-0R0X	MG RESISTOR	0Ω 1/16W J	
R453	NRSA63J-222X	MG RESISTOR	2.2kΩ 1/16W J		R703	NRSA63J-0R0X	MG RESISTOR	0Ω 1/16W J	
R454	NRSA63J-472X	MG RESISTOR	4.7kΩ 1/16W J		R704	NRSA63J-473X	MG RESISTOR	47kΩ 1/16W J	
R455	NRSA63J-222X	MG RESISTOR	2.2kΩ 1/16W J		R705	NRSA63J-473X	MG RESISTOR	47kΩ 1/16W J	
R456	NRSA63J-472X	MG RESISTOR	4.7kΩ 1/16W J		R708	NRSA63J-332X	MG RESISTOR	3.3kΩ 1/16W J	
R457	NRSA63J-222X	MG RESISTOR	2.2kΩ 1/16W J		R709	NRSA63J-473X	MG RESISTOR	47kΩ 1/16W J	
R458	NRSA63J-472X	MG RESISTOR	4.7kΩ 1/16W J		R710	NRSA63J-471X	MG RESISTOR	470Ω 1/16W J	
R461	NRSA63J-101X	MG RESISTOR	100Ω 1/16W J		R711	NRSA63J-471X	MG RESISTOR	470Ω 1/16W J	
R462	NRSA63J-101X	MG RESISTOR	100Ω 1/16W J		R712	NRSA63J-471X	MG RESISTOR	470Ω 1/16W J	
R481	NRSA63J-181X	MG RESISTOR	180Ω 1/16W J		R713	NRSA63J-471X	MG RESISTOR	470Ω 1/16W J	
R501	NRSA63J-333X	MG RESISTOR	33kΩ 1/16W J		R714	NRSA63J-103X	MG RESISTOR	10kΩ 1/16W J	
R502	NRSA63J-822X	MG RESISTOR	8.2kΩ 1/16W J		R715	NRSA63J-471X	MG RESISTOR	470Ω 1/16W J	
R503	NRSA63J-472X	MG RESISTOR	4.7kΩ 1/16W J		R716	NRSA63J-471X	MG RESISTOR	470Ω 1/16W J	
R504	NRSA63J-153X	MG RESISTOR	15kΩ 1/16W J		R717	NRSA63J-471X	MG RESISTOR	470Ω 1/16W J	
R507	NRSA63J-682X	MG RESISTOR	6.8kΩ 1/16W J		R719	NRSA63J-0R0X	MG RESISTOR	0Ω 1/16W J	
R508	NRSA63J-302X	MG RESISTOR	3kΩ 1/16W J		R720	NRSA63J-122X	MG RESISTOR	1.2kΩ 1/16W J	
R509	NRSA63J-123X	MG RESISTOR	12kΩ 1/16W J		R721	NRSA63J-102X	MG RESISTOR	1kΩ 1/16W J	
R510	NRSA63J-822X	MG RESISTOR	8.2kΩ 1/16W J		R722	NRSA63J-103X	MG RESISTOR	10kΩ 1/16W J	
R511	NRSA63J-152X	MG RESISTOR	1.5kΩ 1/16W J		R723	NRSA63J-103X	MG RESISTOR	10kΩ 1/16W J	
R512	NRSA63J-152X	MG RESISTOR	1.5kΩ 1/16W J		R725	NRSA63J-103X	MG RESISTOR	10kΩ 1/16W J	
R513	NRSA63J-152X	MG RESISTOR	1.5kΩ 1/16W J		R726	NRSA63J-103X	MG RESISTOR	10kΩ 1/16W J	
R514	NRSA02J-0R0X	MG RESISTOR	0Ω 1/10W J		R728	NRSA63J-103X	MG RESISTOR	10kΩ 1/16W J	
R515	NRSA02J-0R0X	MG RESISTOR	0Ω 1/10W J		R729	NRSA63J-473X	MG RESISTOR	47kΩ 1/16W J	
R516	NRSA63J-331X	MG RESISTOR	330Ω 1/16W J		R734	NRSA63J-222X	MG RESISTOR	2.2kΩ 1/16W J	
R517	NRSA63J-512X	MG RESISTOR	5.1kΩ 1/16W J		R735	NRSA63J-222X	MG RESISTOR	2.2kΩ 1/16W J	
R518	NRSA02J-822X	MG RESISTOR	8.2kΩ 1/10W J		R736	NRSA63J-222X	MG RESISTOR	2.2kΩ 1/16W J	
R523	NRSA63J-823X	MG RESISTOR	82kΩ 1/16W J		R737	NRSA63J-0R0X	MG RESISTOR	0Ω 1/16W J	
R524	NRSA63J-823X	MG RESISTOR	82kΩ 1/16W J		R738	NRSA63J-472X	MG RESISTOR	4.7kΩ 1/16W J	
R525	NRSA63J-334X	MG RESISTOR	330kΩ 1/16W J		R739	NRSA63J-472X	MG RESISTOR	4.7kΩ 1/16W J	
R526	NRSA63J-334X	MG RESISTOR	330kΩ 1/16W J		R740	NRSA63J-472X	MG RESISTOR	4.7kΩ 1/16W J	
R527	NRSA02J-220X	MG RESISTOR	22Ω 1/10W J		R741	NRSA63J-103X	MG RESISTOR	10kΩ 1/16W J	
R528	NRSA02J-220X	MG RESISTOR	22Ω 1/10W J		R743	NRSA63J-103X	MG RESISTOR	10kΩ 1/16W J	
R529	NRSA63J-823X	MG RESISTOR	82kΩ 1/16W J		R744	NRSA63J-103X	MG RESISTOR	10kΩ 1/16W J	
R530	NRSA63J-563X	MG RESISTOR	56kΩ 1/16W J		R745	NRSA63J-103X	MG RESISTOR	10kΩ 1/16W J	
R531	NRSA63J-103X	MG RESISTOR	10kΩ 1/16W J		R746	NRSA63J-103X	MG RESISTOR	10kΩ 1/16W J	
R532	NRSA63J-202X	MG RESISTOR	2kΩ 1/16W J		R747	NRSA63J-472X	MG RESISTOR	4.7kΩ 1/16W J	
R533	NRSA63J-102X	MG RESISTOR	1kΩ 1/16W J		R748	NRSA63J-472X	MG RESISTOR	4.7kΩ 1/16W J	
R534	NRSA63J-153X	MG RESISTOR	15kΩ 1/16W J		R749	NRSA63J-472X	MG RESISTOR	4.7kΩ 1/16W J	
R535	NRSA63J-101X	MG RESISTOR	100Ω 1/16W J		R750	NRSA63J-103X	MG RESISTOR	10kΩ 1/16W J	
R536	NRSA63J-821X	MG RESISTOR	820Ω 1/16W J		R751	NRSA63J-103X	MG RESISTOR	10kΩ 1/16W J	
R537	NRSA63J-0R0X	MG RESISTOR	0Ω 1/16W J		R752	NRSA63J-473X	MG RESISTOR	47kΩ 1/16W J	
R539	NRSA02J-151X	MG RESISTOR	150Ω 1/10W J		R753	NRSA63J-473X	MG RESISTOR	47kΩ 1/16W J	
R541	NRSA63J-562X	MG RESISTOR	5.6kΩ 1/16W J		R754	NRSA63J-821X	MG RESISTOR	820Ω 1/16W J	
R542	NRSA63J-473X	MG RESISTOR	47kΩ 1/16W J		R755	NRSA63J-106X	MG RESISTOR	10MΩ 1/16W J	
R543	NRSA63J-474X	MG RESISTOR	470kΩ 1/16W J		R756	NRSA63J-473X	MG RESISTOR	47kΩ 1/16W J	
R544	NRSA63J-103X	MG RESISTOR	10kΩ 1/16W J		R757	NRSA63J-222X	MG RESISTOR	2.2kΩ 1/16W J	

△ Symbol No.	Part No.	Part Name	Description	Local	△ Symbol No.	Part No.	Part Name	Description	Local
R758	NRSA63J-473X	MG RESISTOR	47kΩ 1/16W J		D642	SML-310VT/JK/-X	LED		
R760	NRSA63J-473X	MG RESISTOR	47kΩ 1/16W J		D643	SML-310VT/JK/-X	LED		
R763	NRSA63J-103X	MG RESISTOR	10kΩ 1/16W J		D644	SML-310VT/JK/-X	LED		
R765	NRSA63J-0R0X	MG RESISTOR	0Ω 1/16W J		D645	SML-310VT/JK/-X	LED		
R771	NRSA63J-473X	MG RESISTOR	47kΩ 1/16W J		D646	SML-310VT/JK/-X	LED		
R772	NRSA63J-103X	MG RESISTOR	10kΩ 1/16W J		D647	SML-310VT/JK/-X	LED		
R773	NRSA63J-473X	MG RESISTOR	47kΩ 1/16W J		D648	SML-310VT/JK/-X	LED		
R775	NRSA63J-473X	MG RESISTOR	47kΩ 1/16W J		D649	SML-310VT/JK/-X	LED		
R783	NRSA63J-103X	MG RESISTOR	10kΩ 1/16W J		D650	SML-310VT/JK/-X	LED		
R801	NRSA63J-473X	MG RESISTOR	47kΩ 1/16W J		D651	SML-310VT/JK/-X	LED		
R802	NRSA63J-473X	MG RESISTOR	47kΩ 1/16W J		D652	NSPW310BS/BRST/	WHITE LED		
R803	NRSA63J-101X	MG RESISTOR	100Ω 1/16W J		D653	NSPW310BS/BRST/	WHITE LED		
R804	NRSA63J-223X	MG RESISTOR	22kΩ 1/16W J		D661	MA111-X	SI DIODE		
R805	NRSA63J-104X	MG RESISTOR	100kΩ 1/16W J		D662	MA8051/M/-X	Z DIODE		
R806	NRSA63J-103X	MG RESISTOR	10kΩ 1/16W J		D681	MA8062/M/-X	Z DIODE		
R807	NRSA63J-104X	MG RESISTOR	100kΩ 1/16W J						
R808	NRSA63J-331X	MG RESISTOR	330Ω 1/16W J		C661	NBE20JM-106X	TA E CAPACITOR	10uF 6.3V M	
R809	NRSA63J-223X	MG RESISTOR	22kΩ 1/16W J		C662	NCS31HJ-681X	C CAPACITOR	680pF 50V J	
R810	NRSA63J-101X	MG RESISTOR	100Ω 1/16W J		C663	NCB31HK-223X	C CAPACITOR	0.022uF 50V K	
R851	NRSA63J-103X	MG RESISTOR	10kΩ 1/16W J		C681	NBE20JM-475X	TA E CAPACITOR	4.7uF 6.3V M	
R901	QRE142J-102X	C RESISTOR	1kΩ 1/4W J		C686	NCB31HK-223X	C CAPACITOR	0.022uF 50V K	
R902	NRSA02J-912X	MG RESISTOR	9.1kΩ 1/10W J		C687	NCB31HK-223X	C CAPACITOR	0.022uF 50V K	
R903	NRSA02J-472X	MG RESISTOR	4.7kΩ 1/10W J						
R971	NRS181J-222X	MG RESISTOR	2.2kΩ 1/8W J		R601	NRSA63J-821X	MG RESISTOR	820Ω 1/16W J	
R972	NRS181J-222X	MG RESISTOR	2.2kΩ 1/8W J		R602	NRSA63J-821X	MG RESISTOR	820Ω 1/16W J	
R976	NRSA02J-273X	MG RESISTOR	27kΩ 1/10W J		R603	NRSA63J-122X	MG RESISTOR	1.2kΩ 1/16W J	
R977	NRSA02J-123X	MG RESISTOR	12kΩ 1/10W J		R604	NRSA63J-182X	MG RESISTOR	1.8kΩ 1/16W J	
					R605	NRSA63J-272X	MG RESISTOR	2.7kΩ 1/16W J	
L1	QQL244J-4R7Z	COIL	4.7uH J		R606	NRSA63J-821X	MG RESISTOR	820Ω 1/16W J	
L401	NQL114K-470X	INDUCTOR	47uH K		R607	NRSA63J-821X	MG RESISTOR	820Ω 1/16W J	
L402	NQL114K-470X	INDUCTOR	47uH K		R608	NRSA63J-122X	MG RESISTOR	1.2kΩ 1/16W J	
L404	NQL114K-470X	INDUCTOR	47uH K		R609	NRSA63J-182X	MG RESISTOR	1.8kΩ 1/16W J	
L541	NQL114K-470X	INDUCTOR	47uH K		R610	NRSA63J-821X	MG RESISTOR	820Ω 1/16W J	
L543	NQL114K-470X	INDUCTOR	47uH K		R611	NRSA63J-821X	MG RESISTOR	820Ω 1/16W J	
L544	NQL114K-470X	INDUCTOR	47uH K		R612	NRSA63J-122X	MG RESISTOR	1.2kΩ 1/16W J	
L701	QQL244J-4R7Z	COIL	4.7uH J		R613	NRSA63J-182X	MG RESISTOR	1.8kΩ 1/16W J	
L702	NQL79GM-4R7X	COIL	4.7uH M		R614	NRSA63J-272X	MG RESISTOR	2.7kΩ 1/16W J	
L901	QQR0703-001	CHOCOIL			R615	NRSA63J-392X	MG RESISTOR	3.9kΩ 1/16W J	
CN501	QGB2027M4-22S	CONNECTOR	B-B (1-22)		R630	NRSA02J-821X	MG RESISTOR	820Ω 1/10W J	
CN701	QGZ1601J1-15	CONNECTOR	(1-15)		R631	NRSA02J-471X	MG RESISTOR	470Ω 1/10W J	
CN901	QNZ0611-001	16P CONNECTOR			R633	NRSA02J-681X	MG RESISTOR	680Ω 1/10W J	
J1	QNB0100-002	CAR ANT JACK			R637	NRSA02J-821X	MG RESISTOR	820Ω 1/10W J	
J321	QNN0519-001	PIN JACK			R639	NRSA02J-331X	MG RESISTOR	330Ω 1/10W J	
J801	QNZ0095-001	CONNECTOR			R641	NRSA02J-331X	MG RESISTOR	330Ω 1/10W J	
TU1	QAU0223-001	TUNER			R643	NRSA02J-471X	MG RESISTOR	470Ω 1/10W J	
X31	QAX0616-001Z	CRYSTAL	10.250MHz		R645	NRSA02J-471X	MG RESISTOR	470Ω 1/10W J	
X401	QAX0413-001Z	CRYSTAL	16.9344MHz		R647	NRSA02J-471X	MG RESISTOR	470Ω 1/10W J	
X701	QAX0617-001Z	CRYSTAL	12.500MHz		R649	NRS181J-391X	MG RESISTOR	390Ω 1/8W J	
X702	QAX0401-001	CRYSTAL	32.768KHz		R650	NRS181J-391X	MG RESISTOR	390Ω 1/8W J	
					R651	NRSA02J-471X	MG RESISTOR	470Ω 1/10W J	
					R661	NRSA63J-222X	MG RESISTOR	2.2kΩ 1/16W J	
					R662	NRSA63J-222X	MG RESISTOR	2.2kΩ 1/16W J	
					R663	NRSA63J-184X	MG RESISTOR	180kΩ 1/16W J	
					R664	NRSA63J-103X	MG RESISTOR	10kΩ 1/16W J	
					R665	NRSA63J-513X	MG RESISTOR	51kΩ 1/16W J	
					R666	NRSA63J-103X	MG RESISTOR	10kΩ 1/16W J	
					R667	NRSA63J-103X	MG RESISTOR	10kΩ 1/16W J	
					R668	NRSA63J-103X	MG RESISTOR	10kΩ 1/16W J	
					R670	NRS181J-471X	MG RESISTOR	470Ω 1/8W J	
					R671	NRSA63J-473X	MG RESISTOR	47kΩ 1/16W J	
					R672	NRS181J-102X	MG RESISTOR	1kΩ 1/8W J	
					R681	NRSA63J-471X	MG RESISTOR	470Ω 1/16W J	
					R682	NRSA63J-103X	MG RESISTOR	10kΩ 1/16W J	
					R686	NRSA63J-101X	MG RESISTOR	100Ω 1/16W J	
					R687	NRSA63J-473X	MG RESISTOR	47kΩ 1/16W J	
					R688	NRSA63J-473X	MG RESISTOR	47kΩ 1/16W J	

## Switch board (KD-G465\_UH3,UN3,U3)

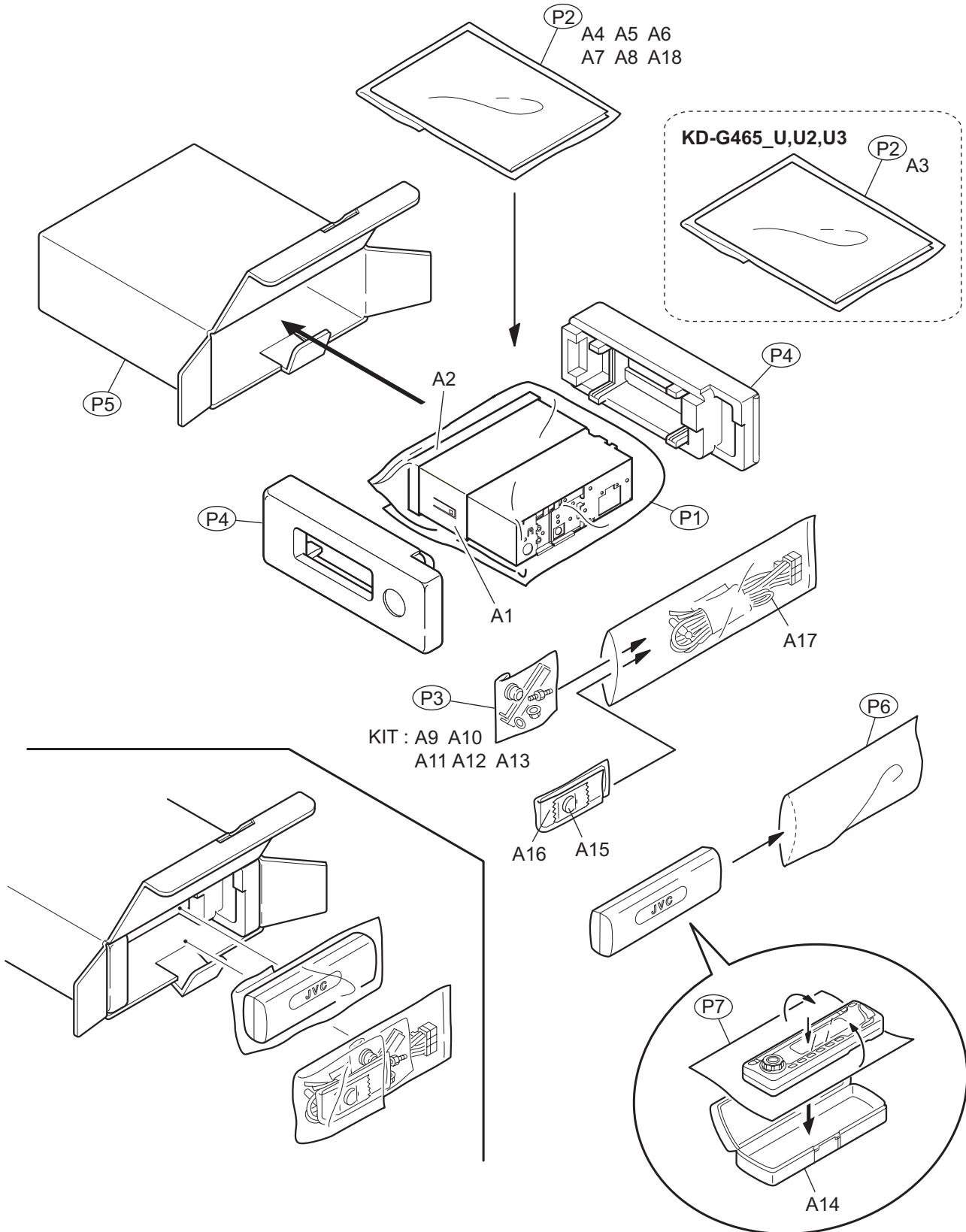
Block No. [0][6]

△ Symbol No.	Part No.	Part Name	Description	Local
IC661	PT6523LQ-L	LCD DRIVER		
IC681	RPM7338-V4	RM.RECEIVER		
Q670	2SB624/4/-X	TRANSISTOR		
Q671	UN2211-X	TRANSISTOR		
D630	SML-310LT/MN/-X	LED		
D631	SML-310VT/JK/-X	LED		
D632	SML-310VT/JK/-X	LED		
D633	SML-310VT/JK/-X	LED		
D634	SML-310VT/JK/-X	LED		
D635	SML-310VT/JK/-X	LED		
D636	SML-310VT/JK/-X	LED		
D637	SML-310VT/JK/-X	LED		
D638	SML-310VT/JK/-X	LED		
D639	SML-310VT/JK/-X	LED		
D640	SML-310VT/JK/-X	LED		
D641	SML-310VT/JK/-X	LED		
CJ601	QGZ1601K1-15S	CONNECTOR	(1-15)	
JS686	QSW0793-001	ROTARY ENCODER		
S601	NSW0124-001X	TACT SW		
S602	NSW0124-001X	TACT SW		
S603	NSW0124-001X	TACT SW		
S604	NSW0124-001X	TACT SW		
S605	NSW0124-001X	TACT SW		
S606	NSW0124-001X	TACT SW		
S607	NSW0124-001X	TACT SW		
S608	NSW0124-001X	TACT SW		
S609	NSW0124-001X	TACT SW		

△ Symbol No.	Part No.	Part Name	Description	Local
S610	NSW0124-001X	TACT SW		
S611	NSW0124-001X	TACT SW		
S612	NSW0124-001X	TACT SW		
S613	NSW0124-001X	TACT SW		
S614	NSW0124-001X	TACT SW		
S615	NSW0124-001X	TACT SW		
S616	NSW0124-001X	TACT SW		
S617	NSW0124-001X	TACT SW		
S618	NSW0124-001X	TACT SW		

# Packing materials and accessories parts list

Block No. M 3 M M





# Packing and Accessories

Block No. [M][3][M][M]

△ Symbol No.	Part No.	Part Name	Description	Local
A 1	GE20137-003A	MOUNTING SLEEVE		
A 2	GE20135-007A	TRIM PLATE		
A 3	GET0256-002A	INST BOOK	KOR CHI(TAIWAN) ARA PER	G465U,G465U2,G465U3
A 4	GET0256-001A	INST BOOK	ENG THA	G465U,G465U2,G465U3,G465UH,G465U H2,G465UH3
A 4	GET0256-003A	INST BOOK	ENG INA	G465UN,G465UN2,G465UN3
A 4	GET0256-007A	INST BOOK	ENG CHI(TAIWAN)	G465UT,G465UT2
A 5	GET0256-009A	INST BOOK	RUS	G465U,G465U2,G465U3
A 6	GET0256-004A	INSTALL MANUAL		G465U,G465U2,G465U3,G465UH,G465U H2,G465UH3
A 6	GET0256-006A	INSTALL MANUAL		G465UN,G465UN2,G465UN3
A 7	GET0256-005A	INSTALL MANUAL		G465U,G465U2,G465U3
A 7	GET0256-008A	INSTALL MANUAL		G465UT,G465UT2
A 8	GET0256-010A	INSTALL MANUAL		G465U,G465U2,G465U3
A 9	VKZ4027-202	PLUG NUT		
A 10	VKH4871-003	MOUNT BOLT		
A 11	VKZ4328-003	LOCK NUT		
A 12	QYWWS53A008ZA	WASHER	0mm/5.3mm x (x2)	
A 13	GE40130-002A	HOOK		
A 14	FSJB3002-00C	HARD CASE		
A 15	RM-RK50	REMOCON UNIT		
A 16	-----	BATTERY		
A 17	QAM0390-004	16P CORD ASSY		
A 18	GET0311-001A	DUALDISC SHEET		G465U2
A 18	GET0311-003A	DUALDISC SHEET		G465U,G465U3,G465UH,G465UH2,G465 UH3,G465UN,G465UN2,G465UN3,G465U T,G465UT2
KIT	SRW-385U	SCREW PARTS KIT	A9 A10 A11 A12 A13	
P 1	QPC03004315P	POLY BAG	30cm x 43cm	
P 2	FSPG4002-001	POLY BAG	(x2)	G465U,G465U2,G465U3
P 2	FSPG4002-001	POLY BAG		G465UH,G465UH2,G465UH3,G465UN,G4 65UN2,G465UN3,G465UT,G465UT2
P 3	QPA00801205	POLY BAG	8cm x 12cm	
P 4	GE10070-003A	EPS CUSHION		
P 5	GE31619-002A	CARTON		
P 6	QPA01003003	POLY BAG	10cm x 30cm	
P 7	FSYH4036-068	SHEET		